



**LYNDEX-NIKKEN**

# BIG BLUE

## Tooling System Catalog



# Machine Tool Solutions for Every Application





## Mission statement from our president



Hiro Kashiwakura, President

*“Our mission is to provide the best value in machine tool accessories to help our customers become more profitable and promote manufacturing in North America. To Lyndex-Nikken, value means manufacturing quality products at a fair price.*

*We have built the widest product offering in the industry. As part of our mission, we also make it easy for manufacturers to fill their accessory needs while always focusing on return-on-investment. We achieve this by finding the best people and a fundamental principle of continuous improvement.*

*In this ever-changing market, our passion is to offer solutions to customer needs versus products. We pledge our unwavering stand on quality over price.”*

## NIKKEN Worldwide



Lyndex-Nikken is represented by sales personnel and product specialists in 18 countries all around the globe. Wherever you may be, you will always get full support from our representatives. Each overseas sales branch has stocks for tooling and CNC Rotary Tables, and service engineers to look after the maintenance and service operation of our products.

### North and South Americas

- |           |                                         |                      |
|-----------|-----------------------------------------|----------------------|
| 1. USA    | Lyndex-Nikken                           | Tel: (847) 367-4800  |
| 2. Mexico | Herramientas Lyndex-Nikken S.A. de C.V. | Tel: 52-55-8421-8421 |

### Europe and Middle East

- |                |                                             |                           |
|----------------|---------------------------------------------|---------------------------|
| 3. UK          | Nikken Kosakusho Europe, Ltd. - Euro Centre | Tel: 44 (0) 1709 366306   |
| 4. Germany     | Nikken Deutschland GmbH                     | Tel: 49 (0) 6142 550 60 0 |
| 5. Italy       | Vega International Tools S.R.L.             | Tel: 39 011 9497911       |
| 6. France      | Procomo S.A.                                | Tel: 33 (01) 69 19 17 35  |
| 7. Sweden      | Nikken Scandinavia AB                       | Tel: 46 (0) 303 440 600   |
| 8. Spain       | Cutting Tools S.L.                          | Tel: 34 902 820090        |
| 9. Switzerland | Nikken AG                                   | Tel: 41 (0) 41 748 5000   |

- |                 |                                                      |                         |
|-----------------|------------------------------------------------------|-------------------------|
| 10. Netherlands | Heudra Tools                                         | Tel: 31 (0) 488 48 4406 |
| 11. Belgium     | Damaco                                               | Tel: 32 (0) 2 397 02 81 |
| 12. Austria     | Wedco                                                | Tel: 43 (0) 1 4802770 0 |
| 13. Israel      | Globus Technical Equipment Ltd.                      | Tel: 972 09 9560444     |
| 14. Turkey      | Nikken Kesici Takimlar San. Ve Uluslararasi Tic.A.S. | Tel: 9 (0216) 518 10 10 |

### Asia

- |                 |                                           |                          |
|-----------------|-------------------------------------------|--------------------------|
| 15. South Korea | Korea Nikken Ltd.                         | Tel: 82 (0) 32 763 4461  |
| 16. China       | Shanghai Zhong Yan Trading Co. Ltd.       | Tel: 86 (0) 21 6210 2506 |
| 17. Singapore   | Singapore Nikken Kosakusho Asia PTE. Ltd. | Tel: 65 6362 7980        |
| ** Japan        | Nikken Kosakusho Works Ltd.               | Tel: 072-869-5820        |

## History of Lyndex-Nikken

### Lyndex Corporation

Founded in 1979 in Glenview, Illinois, Lyndex Corporation set the standard for quality toolholding in the United States as a supplier of 5C and R8 Collets. Over the years, Lyndex's product line evolved to include a vast selection of toolholding and accessories. With a commitment to quality products and excellent customer service, Lyndex garnered industry-wide respect as a trusted source for toolholding and metalworking accessories.

### Nikken Japan

Nikken Kosakusho Works, Ltd. was established in Japan in 1958 by founder, Masakazu Matsumoto and has a rock solid reputation there as the top manufacturer of Toolholders and machine tool accessories. Nikken has been a market leader in various industries such as aerospace, automotive and ultra-precision machining since the company's inception. In Japanese, the name Nikken stands for "research every day". Nikken is committed to technological advancement and customer satisfaction. Annually, they produce 350,000 Toolholders, 3,000 CNC Rotary Tables, and 250,000 Reamers. A global company, Nikken's sales and technical service network consists of over 700 employees worldwide.

### Lyndex-Nikken

In 2002, Lyndex Corporation merged with Nikken Kosakusho Works, Ltd. From the merging of these two great companies, an even greater company came forth. Lyndex-Nikken, as a unified manufacturer, boasts a broader product line, a greater number of service personnel, and a higher degree of engineering support and technology. Together, Lyndex and Nikken represent the best of both sides of the manufacturing industry: extreme quality and advanced technology.



**January 5<sup>th</sup>, 1979**

Lyndex Corporation was founded, selling 5C Collets.



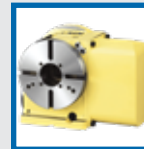
**February, 1989**

Angle Head products were introduced.



**June, 2001**

HQ relocated to 50,000 ft<sup>2</sup> building in Mundelein, IL.



**February, 2003**

Product line expanded to include 4<sup>th</sup> and 5<sup>th</sup> Axis Rotary Tables.



**April, 1981**

Added Toolholders to our product line.



**August, 1998**

Product line expanded to include Live Tools.



**June, 2002**

Acquired by Nikken Kosakusho Works, Ltd.



## Nikken Advantages

### Nikken Advantages

Nikken high quality brand products have been patented in Japan and in many other countries. Featuring unique features, they are used all over the world and have been proving their efficiency for years and years, providing users with benefits unmatched by the competition.

### Sub Zero Treatment

Nikken is the ONLY tool manufacturer that performs a sub-zero treatment to its tooling. All toolholders are subjects to ultra low temperature treatment of -90° C after carburizing. This treatment removes residual austenite to form 100% martensite compositions to prevent deformation and deterioration over time. This is a good example of how Nikken pays attention to those aspects often hidden from view, and how we put our hearts into each and every tool.



Carbonizing and Sub-Zero Treatment

### Taper Contact

Nikken guarantees 80% of the taper contact ratio. It allows concentricity, run-out accuracy and stable machining, reduces damage to the M/C Spindle and extends tool life. Strong rigidity between machine spindle and toolholder eliminates potential fretting corrosion.

#### Nikken's taper characteristics:

- Nickel Chrome 4150 alloy
- AT3 taper or better, 56 to 58 HRc
- Traverse Ground Taper
- Inspected by Prussian Blue oil method



BT Taper - Made to JIS B6339 standard



CT Taper - Made to ISO 7388 standard



HSK Taper - Made to ISO 12164 standard



NMTB Taper - Erickson Qualified



Tool Grinding Line



Horizontal Machining Centers



NC Lathe Line



**June, 2009**  
Introduction of Solution Partner Program.



**February, 2014**  
Lyndex-Nikken University was built.



**January, 2016**  
Started Robotics/Automation Group.



**August, 2003**  
Began offering full installation and interface of Rotary Tables.



**June, 2013**  
Expanded sales and service to Mexico and South America with office in Mexico.



**September, 2014**  
Introduced Turning Accessories (Howa, QCFC).



**March, 2017**  
Launched Customer Zone Website.

## Product Overview

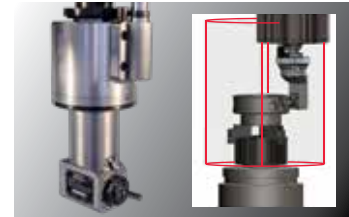
### High Productivity Advanced Toolholders

**Covering All Bases for Your Toolholder Needs.** Most accurate and precise Collet Chucks in the industry (guaranteed runout within .0002"). Nikken Milling Chucks are the strongest clamping Toolholder in the world with over 3500 ft. lbs of gripping force. Greater rigidity and higher accuracy allows for more aggressive material removal and part precision.



### Modular & Fixed Angle Heads

**Approaching Difficult Parts from All Angles.** Offered in multiple styles: slim, rigid, offset, adjustable and coolant through. 452 possible combinations using Lyndex-Nikken's Modular Angle Head system. Clearance and ATC verification done by 3D printed Angle Heads. Full 3D model support upon request.



### Live & Static Tools

**Turning Your Lathe Into a Milling Machine.** We offer both Live and Static Tools for a multitude of machine builders. Dual radial and thrust bearing design for added rigidity. Live and Static tools offered in coolant through, adjustable, and multi-output.



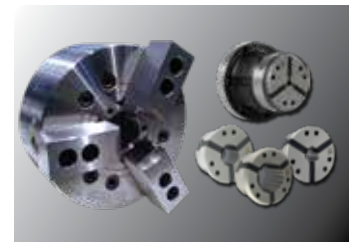
### 4th & 5th Axis Rotary Tables

**Reduced Setups, Increased Productivity, More Profits.** Ion-Nitride Worm Wheel and Carbide Worm Screw design extends longevity of rigidity and accuracy. 4 arc second repeatability for high precision and complex work pieces. Full installation and integration services available by Lyndex-Nikken technicians.



### Power Chucks & Quick Change Collets

**Workholding Solutions for Turning Centers.** Wide variety of Power Chucks for all turning centers. Engineered workholding solutions for high production projects. Quick Change Collet Chucks allow for fast set-up between jobs. Quick Change Collets come in a wide variety of shapes and sizes offered in smooth, serrated and hexagon.



### Taper Plus Toolholders

**Taking Rigidity to the Next Level.** Dual Taper and Flange Contact Holders available for both Standard and Advanced Holders. Added surface area contact provides 30-40% more rigidity allowing for more aggressive machining. Flange contact provides greater support for long length Toolholder applications on horizontal machining centers.





## Lyndex-Nikken Service & Support

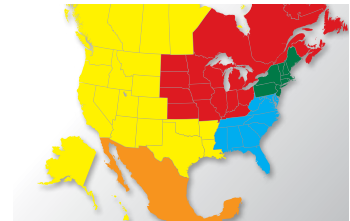
### Management & Operations

Integrity is our highest company goal that is achieved in different ways in each department. In operations, this means “keeping promises”. When a Lyndex-Nikken salesperson commits to do something, we want to make sure it happens! Our management team is willing to put whatever resources are needed to stand behind ALL commitments made to our customers.



### Outside Sales

The outside sales team is committed to providing you with the highest level of training, product knowledge, and customer service. Whether it's helping you close more deals, increasing your profit margins, or making your job easier, our product managers and sales representatives will do what is needed to make you more successful!



### Inside Sales

Committed to upholding the highest standard in customer service, the inside sales team provides support to qualify, quote and process orders. Working in conjunction with our outside sales team, our goal is to provide the best expedited sales experience with the utmost clarity.



### Engineering & Service

From product drawings to 3D models, clearance verifications to force calculations, the engineering team understands your manufacturing needs. We look forward to providing application support and hope to be a part of your success.



### Warehouse & Shipping

With over 22,000 individual part numbers in our system and nearly \$50 million worth of in-stock inventory, our warehouse team means serious business. 95% of items we carry get shipped out same day on an impressive average of 160 shipments per day!



### Lyndex-Nikken Mexico

Since our opening in 2013, we have been able to extend the same level of quality support to Mexico. One of our biggest tasks is providing services for transplant companies in Mexico from the U.S., Germany, Japan, and Korea. We offer full service of sales, engineering, and application support directly from our office.



## Table of Contents

### **SK Collet Chucks 9-38**

SK Collet Chuck Features	10-11
SK Collet Features	12
Superior SK Coolant System	13
CAT SK Collet Chucks	14-15
BT SK Collet Chucks	16-17
BT SK Collet Chucks - High-Speed	18
Straight Shank SK Collet Chucks	19
HSK SK Collet Chucks	20
HSK SK Collet Chucks - High-Speed	21
Taper Plus - CAT SK Collet Chucks	22-23
Taper Plus - BT SK Collet Chucks	24-25
Taper Plus - CAT Slim Chuck Coolant High-Speed	26-27
Taper Plus - BT Slim Chuck Coolant High-Speed	28-29
SK Collets	30-34
SK Coolant Collet System	35
SK Accessories & Back Up Screws	36-37

### **ER Collet Chucks 39-62**

ER Collet Chuck Features	40-41
Nut Features	42
CAT ER Collet Chucks	43-44
BT ER Collet Chucks	45-46
HSK ER Collet Chucks	47
NMTB & R8 ER Collet Chucks	48
ER Collet Chuck Extensions	49
Taper Plus - CAT ER Collet Chucks	50
Taper Plus - BT ER Collet Chucks	51
ER Collets - Standard & Coolant	52-57
ER Tap Collets - Standard & Coolant	58-59
ER Accessories	60-61

### **VC Collet Chucks 63-74**

VC Collet Chuck Features	64-65
CAT VC Collet Chucks	66

BT VC Collet Chucks	67
HSK VC Collet Chucks	68-69
Taper Plus - CAT VC Collet Chucks	70
Taper Plus - BT VC Collet Chucks	71
VCK Collets	72
VC Coolant Collet System	73
VC Collet Chuck Accessories	74

### **MMC Collet Chucks 75-82**

MMC Collet Chuck Features	76
CAT MMC Collet Chucks	77
BT MMC Collet Chucks	78
HSK MMC Collet Chucks	79
Straight Shank MMC Collet Chucks	80
Taper Plus - CAT & BT MMC Collet Chucks	81
MMC Collets - Coolant & Slotted	82

### **Shrink Fit 83-96**

Specifications & Equipment	84-85
Shrink Fit Equipment	86
Shrink Fit Unit Packages	87
CAT40 Shrink Fit Holders	88-89
CAT50 Shrink Fit Holders	90-91
HSK63A Shrink Fit Holders	92-93
HSK100A Shrink Fit Holders	94-95

### **Milling Chucks 98-118**

Milling Chuck Features	98-99
Milling Chuck Collet System	100
Milling Chuck Coolant Collet System	101
Why Upgrade?	102
Taper Plus - Dual Contact Toolholders	103
CAT Milling Chucks	104-105
BT Milling Chucks	106-107
HSK Milling Chucks	108-109





## Table of Contents (Cont.)

NMTB Milling Chucks	110	Drill Chuck Accessories	153
Taper Plus - CAT Milling Chucks	111	CAT & BT Jacobs® Taper Holders	154
Taper Plus - BT Milling Chucks	112	NMTB & R8 Jacobs® Taper Holders	155
KM Collets	113	Jacobs® Drill Chuck Accessories	156
NK Collets - Depth Adjustable	114	CAT Morse Taper Holders	157
CCK Coolant Collet System	115-116	NMTB & R8 Morse Taper Holders	158
Milling Chuck Accessories	117		

### **End Mill Holders 119-136**

End Mill Holder Features	120
CAT End Mill Holders	121-126
BT End Mill Holders	127-129
HSK End Mill Holders	130-131
NMTB End Mill Holders	132
R8 & Straight Shank End Mill Holders	133
Taper Plus - CAT End Mill Holders	134
End Mill Holder Accessories	135

### **Shell Mill Holders 137-148**

Shell Mill & Face Mill Holder Features	138
CAT Shell Mill Holders	139-140
CAT Face Mill Holders	140
BT Shell Mill Holders	141-142
BT Face Mill Holders	142
HSK Shell Mill Holders	143
NMTB Shell & Face Mill Holders	144
R8 Shell Mill Holders	145
Taper Plus - CAT & BT Face/Shell Mill Holders	146
Shell Mill Holder Accessories	147

### **Drill Chucks & Morse Taper Holders 149-158**

Drill Chucks Features	150
CAT & BT Integral Keyless Drill Chucks	151
NMTB, HSK & Straight Shank Drill Chucks	152

### **Tap Holders 159-184**

Tap Holder Features	160
CAT Tap Holders	161-162
BT Tap Holders	163
HSK Tap Holders	164
Weldon Tap Holders	165-166
NMTB & Straight Shank Tap Holders	167
Tap Collets	168-179
Tap Holder Accessories	180
Tapping - Technical Details	181
Tap Dimensional Data	182-183
Torque Control Tap Collet Torque Specifications	184

### **TG/DA Collet Chucks 185-202**

TG Collet Chuck Features	186
DA Collet Chuck Features	187
CAT TG Collet Chucks	188
BT TG Collet Chucks	189
NMTB TG Collet Chucks	190
Straight Shank TG Collet Chucks	191
TG Collets	192-195
TG Accessories	196
CAT & BT TG Collet Chucks	197
NMTB DA Collet Chucks & DA Collet Chuck Extension	198
DA Collets	199-200
DA Accessories	201

## Table of Contents (Cont.)

### **Angle Heads 203-210**

Technical Features	204
Types of Fixed Angle Heads	205
Modular Angle Head Assembly	206
Modular Angle Head System	207
High Productivity Angle Heads	208
Engineering Support	209

### **Stub Mill Holders & Blank Bars 211-216**

Stub Mill Holder Features	212
CAT & BT Stub Mill Holders	213
CAT & BT Blank Bars	214
NMTB & HSK Blank Bars	215

### **R8/5C/3J/16C Collets 217-226**

R8 Collets	218
5C Collets	219-220
5C Collet Accessories	221
3J Collets & Accessories	222-223
16C Collets & Accessories	224-225

### **Retention Knobs 227-232**

Retention Knob Features	228
CAT Retention Knobs	229
BT Retention Knobs	230
Retention Knob Inquiry Form	231

### **Accessories 233-244**

Tooljaw®	234
Nikken Tool Clamper for HSK Tooling	235
Tightening Fixtures	235
ATC Alignment Kit	235
Pointfinder™	236
ZeroSetter™	237

Spindle Wipes	238
Test Bars	239
Momimen Carbide Indexable Tools	240-241
Chibimomi Carbide Indexable Tools	242-243
TQW Torque Wrench	244

### **Technical/Index 245-272**

Lyndex-Nikken Product Warranty	246-247
Taper Specifications	248-250
SK Drill Chart	251-255
Index	256-272

### **Lyndex-Nikken**

SK High Performance Live Tools	38
Advanced Toolholders	62
Shrink Fit Demos	96
NIKKEN X-Treme Milling Chuck	118
CNC Rotary Table Solutions	136
High Performance Live Tools	148
Torque Test Demos	202
Product Training Seminars	210
Hydraulic Power Chucks	216
Quick Change Flex Collets	226
Lyndex-Nikken Products	232



## SK Collet Chuck Features

### LEAN, TOUGH AND EFFICIENT

**Lean:** narrow body design allows access to tight spots

**Versatile:** applicable for all milling, drilling, reaming and rigid tapping applications

**Flexible:** covers sizes from 0.028" to 1"

**Accurate:** two times more accurate than ER Collet Chucks, within 10 times better repeatability

**Extremely Precise:** 0.0002" or less concentricity guarantee with on-size collets

**8° versus 16° collet taper:** double the gripping power over ER Collet Chucks

**Extremely Successful:** over 1 million SK Collet Chucks and 15 million SK collets sold worldwide



### SK Collet Range



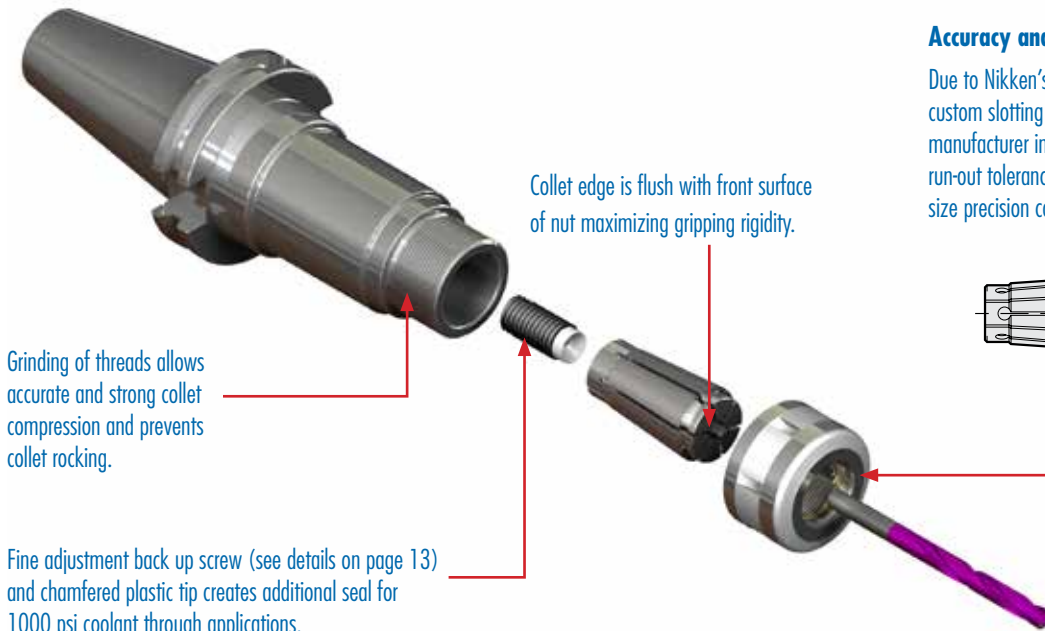
**SK6**  
(0.7 - 6.0mm)  
(0.028 - 0.236")

**SK10**  
(1.75 - 10.0mm)  
(0.069 - 0.394")

**SK16**  
(2.75 - 16.0mm)  
(0.108 - 0.630")

**SK20**  
(3.5 - 20.0mm)  
(0.138 - 0.787")

**SK25**  
(16.0 - 25.4mm)  
(0.630 - 1.000")



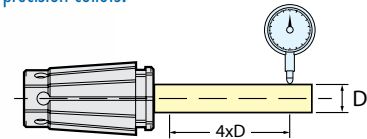
Collet edge is flush with front surface of nut maximizing gripping rigidity.

Grinding of threads allows accurate and strong collet compression and prevents collet rocking.

Fine adjustment back up screw (see details on page 13) and chamfered plastic tip creates additional seal for 1000 psi coolant through applications.

### Accuracy and Flexibility

Due to Nikken's special heat treatment, grinding and custom slotting process, they are the only collet chuck manufacturer in the world that guarantees a 5 micron run-out tolerance for their "on size" fractional and metric size precision collets.



- Extremely hard and smooth surface of the TiN Bearing allows for more thrust load on the collet while preventing additional runout associated with collet twisting.
- Threads are protected to prevent chip packing or stringy birds nests below the collet chuck nut.

## SK Collet Chuck Features

### Increased Gripping Power

The smaller the taper angle is, the better concentricity is obtained.

Our steep 8° collet seats deeper in the body of the holder, providing double the clamping force and precision than traditional 16° ER collets.



### GH Handle

Easy, safe and reliable handling with GH wrench (see page 36).



### Titanium Nitrided Bearing Nut (HV2,200) (US Patent 6923451)

- More efficient than conventional ball bearing built-in nut!
- Good sliding effect due to surface hardness of HV2,200
- No damage, no friction
- No corrosion occurs internally
- Less micro vibration with collet flange contact
- Increase cutting performance and tool life durability
- More cutting rigidity

High pressure 1200 psi fine thread coolant back up screw.

AT3 or better taper - .0028 degree tolerance variation (80 millionths to 126 millionths taper size tolerance).

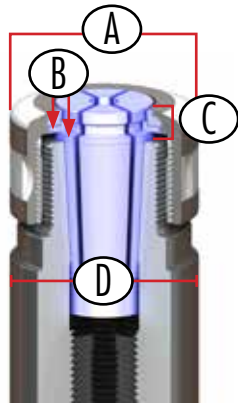
Ground surface for accurate perpendicular contact between pull stud and taper.

## SK Collet

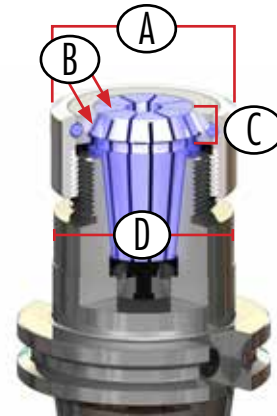
SK Collets can be used for all applications, from milling to reaming. Standard collets can be used in coolant thru applications (with coolant back-up screws).

### SK Collet vs. ER Collet

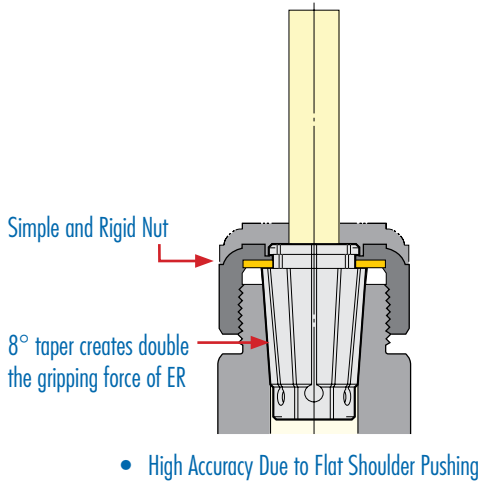
- A. Slim design allows for better clearance
- B. Force is parallel to centerline of toolholder
- C. Deeper seating creates greater accuracy
- D. Body and nut are flush for more rigidity



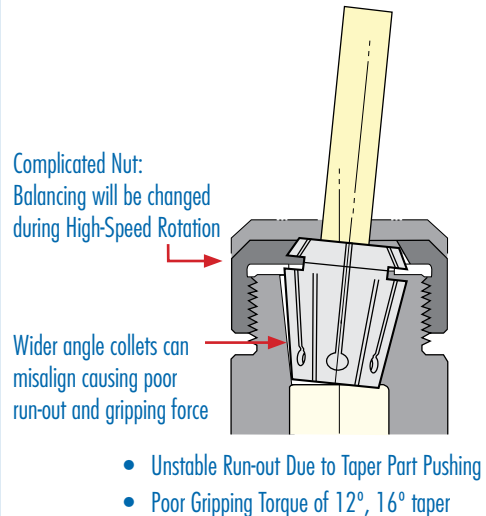
- A. Wide collet = wide nut = less clearance
- B. Force is angular to centerline of toolholder
- C. Shallow seating allows for collet rocking
- D. Body diameter is smaller than nut compromising rigidity



#### Lyndex-Nikken Slim Chuck - Flat shoulder pushing



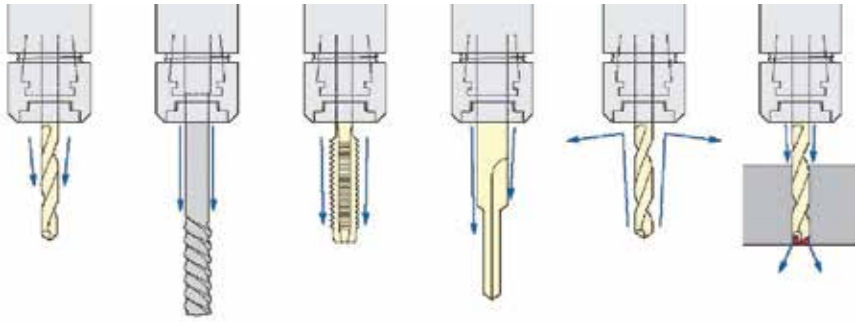
#### Others - Taper shoulder pushing



## Superior SK Coolant System

Our Slim Chuck features a unique High-Pressure Coolant Collet System which allows for higher accuracy and gripping torque.

### SK Coolant thru options:



SK Collet Chucks

### Back-up Screw for SK Collet Chuck

#### SKG-12



- Solid steel black oxide coated back up screws
- Accessible and adjustable from both ends

#### SKG-12L



- Excellent for high feed drilling
- Allows cutter repeatability within .0002"

#### SKG16-12HGA



- Ultra High Pressure back up screw capable up to 1200 psi
- Solid steel black oxide coated back-up screws with plastic caps
- 80% thread engagement on fine thread to prevent coolant leakage
- External O-ring provides additional seal to prevent coolant build-up within the toolholder

#### SKG-18H



- Plastic cap is chamfered to accommodate for different sizes
- Excellent for high pressure coolant or oil drilling applications
- Allows cutter repeatability within .0002"



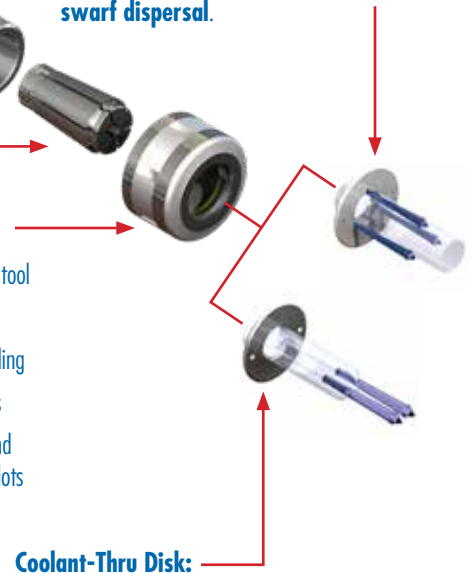
High Pressure Mechanically-Sealed Collets are available

### Applications for SK J Type Nut:

- Tap or specially designed cutting tool
- Burnishing drill for formed hole
- Oil hole drill for through hole drilling
- Cutting tool with coolant grooves
- Mechanical seal prevents dust and swarf entering inside the collet slots

### Slotted Disk:

When the Coolant Nut is paired with the Slotted Disk, coolant is directed to the cutting edge of the cutting tool, making this combination **ideal for non-coolant-thru tools**. The jet coolant pressure creates a tornado effect, ensuring **efficient swarf dispersal**.



### Coolant-Thru Disk:

When the Coolant Nut is paired with the Coolant-Thru Disk, a perfect seal is formed around the cutting tool shank, making this combination ideal for Coolant-Thru tools.

## CAT SK Collet Chucks

- Feature TiN Bearing Nut which considerably improves cutting rigidity and finish
- Narrow body allows access to tight spaces and hard to reach areas
- Unique high-pressure coolant collet system for higher accuracy and gripping torque
- 8° taper SK collet provides double the clamping force and precision than ER Collet Chucks



**T.I.R.:** ≤ 0.0002" at 4xD



**Speed:** up to 30,000 rpm



**Set-up:** quick and easy



**Coolant-Thru:** thru-tool coolant



Milling



Tapping



Drilling



Reaming

Please note that the maximum RPM listed in our catalog may vary depending on the toolholder shank, weight, balanceability and the G rating.

### CAT40

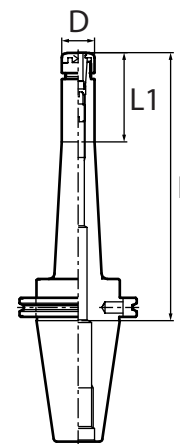
Part Number	Collet Size	Collet Range	Wrench	L	L1	D	Back-Up Screw
CAT40-SK6-90U	SK6	0.028 - 0.236"	SKL-6W	3.543"	1.969"	0.768"	SKG-8
CAT40-SK6-120U	SK6	0.028 - 0.236"	SKL-6W	4.724"	2.441"	0.768"	SKG-8
CAT40-SK6-150U	SK6	0.028 - 0.236"	SKL-6W	5.906"	2.362"	0.768"	SKG-8
CAT40-SK10-90U	SK10	0.069 - 0.394"	SKL-10	3.543"	1.969"	1.083"	SKG-12L
CAT40-SK10-120U	SK10	0.069 - 0.394"	SKL-10	4.724"	2.756"	1.083"	SKG-12L
CAT40-SK10-150U	SK10	0.069 - 0.394"	SKL-10	5.906"	2.874"	1.083"	SKG-12L
CAT40-SK10-180U	SK10	0.069 - 0.394"	SKL-10	7.086"	2.874"	1.083"	SKG-12L
CAT40-SK16-90U	SK16	0.108 - 0.630"	9HC16	3.543"	1.969"	1.575"	SKG-18L
CAT40-SK16-120U	SK16	0.108 - 0.630"	9HC16	4.724"	3.150"	1.575"	SKG-18L
CAT40-SK16-150U	SK16	0.108 - 0.630"	9HC16	5.906"	4.331"	1.575"	SKG-18L
CAT40-SK16-180U	SK16	0.108 - 0.630"	9HC16	7.086"	5.710"	1.575"	SKG-18L
CAT40-SK20-65U-IDU*	SK20	0.138 - 0.787"	9HC22	2.559"	1.809"	1.909"	SKG-22
CAT40-SK20-90U	SK20	0.138 - 0.787"	9HC22	3.543"	2.793"	1.909"	SKG-22
CAT40-SK20-120U	SK20	0.138 - 0.787"	9HC22	4.724"	3.974"	1.909"	SKG-22
CAT40-SK20-150U-IDU*	SK20	0.138 - 0.787"	9HC22	5.906"	5.156"	1.909"	SKG-22
CAT40-SK20-180U-IDU*	SK20	0.138 - 0.787"	9HC22	7.086"	6.337"	1.909"	SKG-22
CAT40-SK25-90U	SK25	0.630 - 1.000"	9HC22	3.543"	2.165"	2.165"	SKG-28
CAT40-SK25-120U	SK25	0.630 - 1.000"	9HC22	4.724"	3.346"	2.165"	SKG-28

Note: \*-IDU\* type holders have a pre-machined counter-bore on the drive key to accept Balluff BIS-C122-04/L RFID chips (10 X 4.5mm size)

### CAT50

Part Number	Collet Size	Collet Range	Wrench	L	L1	D	Back-Up Screw
CAT50-SK6-105U	SK6	0.028 - 0.236"	SKL-6W	4.134"	2.362"	0.768"	SKG-8
CAT50-SK6-165U	SK6	0.028 - 0.236"	SKL-6W	6.496"	2.441"	0.768"	SKG-8
CAT50-SK6-195U	SK6	0.028 - 0.236"	SKL-6W	7.677"	2.362"	0.768"	SKG-8
CAT50-SK10-105U	SK10	0.069 - 0.394"	SKL-10	4.134"	2.362"	1.083"	SKG-12L
CAT50-SK10-165U	SK10	0.069 - 0.394"	SKL-10	6.496"	2.953"	1.083"	SKG-12L
CAT50-SK10-195U	SK10	0.069 - 0.394"	SKL-10	7.677"	2.953"	1.083"	SKG-12L
CAT50-SK10-225U	SK10	0.069 - 0.394"	SKL-10	8.858"	2.953"	1.083"	SKG-12L
CAT50-SK16-105U	SK16	0.108 - 0.630"	9HC16	4.134"	2.559"	1.575"	SKG-18L
CAT50-SK16-165U	SK16	0.108 - 0.630"	9HC16	6.496"	3.543"	1.575"	SKG-18L
CAT50-SK16-195U	SK16	0.108 - 0.630"	9HC16	7.677"	3.543"	1.575"	SKG-18L
CAT50-SK20-105U-IDU*	SK20	0.138 - 0.787"	9HC22	4.134"	3.384"	1.909"	SKG-22
CAT50-SK20-165U	SK20	0.138 - 0.787"	9HC22	6.496"	5.746"	1.909"	SKG20-18HG
CAT50-SK20-195U-IDU*	SK20	0.138 - 0.787"	9HC22	7.677"	6.299"	1.909"	SKG-22
CAT50-SK25-105U	SK25	0.630 - 1.000"	9HC22	4.134"	2.559"	2.165"	SKG-28
CAT50-SK25-165U	SK25	0.630 - 1.000"	9HC22	6.496"	4.921"	2.165"	SKG-28
CAT50-SK25-195U	SK25	0.630 - 1.000"	9HC22	7.677"	6.102"	2.165"	SKG-28

Note: Wrench and back-up screw not included.



Available in **TAPER PLUS**

Dual-taper and flange contact available. See pages 22-23.

**TAPER PLUS**  
COMBINING TAPER ACCURACY  
WITH FLANGE RIGIDITY!



- Outstanding Runout Accuracy for longer tool life
- Vibration Dampening for increased productivity
- High Rigidity for smooth and stable cutting



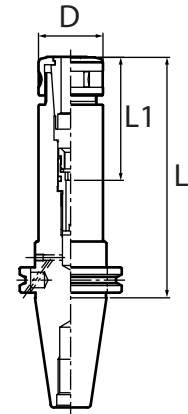


## CAT SK Collet Chucks

### CAT40 - DIN

Part Number	Collet Size	Collet Range	Wrench	L	L1	D	Back-Up Screw
CAT40-SK6F-90U	SK6	0.028 - 0.236"	SKL-6W	3.543"	1.969"	0.768"	SKG6-6HG
CAT40-SK6F-120U	SK6	0.028 - 0.236"	SKL-6W	4.724"	2.441"	0.768"	SKG6-6HG
CAT40-SK6F-150U	SK6	0.028 - 0.236"	SKL-6W	5.906"	2.362"	0.768"	SKG6-6HG
CAT40-SK10F-90U	SK10	0.069 - 0.394"	SKL-10	3.543"	1.969"	1.083"	SKG10-10HG
CAT40-SK10F-120U	SK10	0.069 - 0.394"	SKL-10	4.724"	2.756"	1.083"	SKG10-10HG
CAT40-SK10F-150U	SK10	0.069 - 0.394"	SKL-10	5.906"	2.874"	1.083"	SKG10-10HG
CAT40-SK16F-60U	SK16	0.108 - 0.630"	9HC16	2.362"	1.181"	1.575"	N/A
CAT40-SK16F-90U	SK16	0.108 - 0.630"	9HC16	3.543"	1.969"	1.575"	SKG16-12HG
CAT40-SK16F-120U	SK16	0.108 - 0.630"	9HC16	4.724"	3.150"	1.575"	SKG16-12HG
CAT40-SK16F-150U	SK16	0.108 - 0.630"	9HC16	5.906"	4.331"	1.575"	SKG16-12HG
CAT40-SK25F-90U	SK25	0.630 - 1.000"	9HC22	3.543"	2.165"	2.165"	SKG25-18HGE
CAT40-SK25F-120U	SK25	0.630 - 1.000"	9HC22	4.724"	3.346"	2.165"	SKG25-18HGE

Note: CAT40 - DIN - Wrench and back-up screw not included.



SK Collet Chucks

### CAT40 - High-Speed

Part Number	Collet Size	Collet Range	Wrench	L	L1	D	Back-Up Screw
CAT40-SK6-90UP	SK6	0.028 - 0.236"	GH6	3.543"	2.165"	0.768"	SKG-8
CAT40-SK6-120UP	SK6	0.028 - 0.236"	GH6	4.724"	2.637"	0.768"	SKG-8
CAT40-SK6-150UP	SK6	0.028 - 0.236"	GH6	5.906"	4.528"	0.768"	SKG-8
CAT40-SK10-90UP	SK10	0.069 - 0.394"	GH10	3.543"	2.165"	1.083"	SKG-12L
CAT40-SK10-120UP	SK10	0.069 - 0.394"	GH10	4.724"	3.346"	1.083"	SKG-12L
CAT40-SK10-150UP	SK10	0.069 - 0.394"	GH10	5.906"	4.528"	1.083"	SKG-12L
CAT40-SK16-60UP	SK16	0.108 - 0.630"	GH16	2.362"	1.181"	1.575"	N/A
CAT40-SK16-90UP	SK16	0.108 - 0.630"	GH16	3.543"	2.165"	1.575"	SKG-18L
CAT40-SK16-120UP	SK16	0.108 - 0.630"	GH16	4.724"	3.346"	1.575"	SKG-18L
CAT40-SK16-150UP	SK16	0.108 - 0.630"	GH16	5.906"	4.528"	1.575"	SKG-18L
CAT40-SK20-65UP-IDU*	SK20	0.138 - 0.787"	GH20	2.559"	1.809"	1.909"	SKG-22
CAT40-SK20-90UP-IDU*	SK20	0.138 - 0.787"	GH20	3.543"	2.793"	1.909"	SKG-22
CAT40-SK20-120UP-IDU*	SK20	0.138 - 0.787"	GH20	4.724"	3.974"	1.909"	SKG-22
CAT40-SK25-90UP	SK25	0.630 - 1.000"	GH25	3.543"	2.165"	2.165"	SKG-28
CAT40-SK25-120UP	SK25	0.630 - 1.000"	GH25	4.724"	3.346"	2.165"	SKG-28

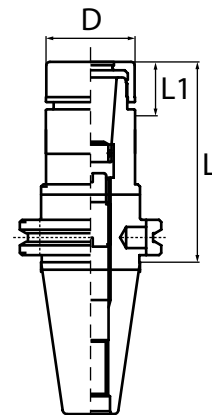
Note:

- DIN type high-speed toolholders available. Please contact us for more information.
- \*-IDU" type holders have a pre-machined counter-bore on the drive key to accept Balluff BIS-C122-04/L RFID chips (10 X 4.5mm size)

### CAT50 - High-Speed

Part Number	Collet Size	Collet Range	Wrench	L	L1	D	Back-Up Screw
CAT50-SK6-105UP	SK6	0.028 - 0.236"	GH6	4.134"	2.756"	0.768"	SKG-8
CAT50-SK6-165UP	SK6	0.028 - 0.236"	GH6	6.496"	5.118"	0.768"	SKG-8
CAT50-SK10-105UP	SK10	0.069 - 0.394"	GH10	4.134"	2.756"	1.083"	SKG-12L
CAT50-SK10-165UP	SK10	0.069 - 0.394"	GH10	6.496"	5.118"	1.083"	SKG-12L
CAT50-SK10-195UP	SK10	0.069 - 0.394"	GH10	7.677"	6.299"	1.083"	SKG-12L
CAT50-SK16-105UP	SK16	0.108 - 0.630"	GH16	4.134"	2.756"	1.575"	SKG-18L
CAT50-SK16-165UP	SK16	0.108 - 0.630"	GH16	6.496"	5.118"	1.575"	SKG-18L
CAT50-SK16-195UP	SK16	0.108 - 0.630"	GH16	7.677"	6.299"	1.575"	SKG-18L
CAT50-SK25-105UP	SK25	0.630 - 1.000"	GH25	4.134"	2.756"	2.165"	SKG-28
CAT50-SK25-165UP	SK25	0.630 - 1.000"	GH25	6.496"	5.118"	2.165"	SKG-28
CAT50-SK25-195UP	SK25	0.630 - 1.000"	GH25	7.677"	6.299"	2.165"	SKG-28

Note: CAT50 - High-Speed - Wrench and back-up screw not included.



## BT SK Collet Chucks

- Feature TiN Bearing Nut which considerably improves cutting rigidity and finish
- Narrow body allows access to tight spaces and hard to reach areas
- Unique high-pressure coolant collet system for higher accuracy and gripping torque
- 8° taper SK collet provides double the clamping force and precision than ER Collet Chucks



**T.I.R.:** ≤ 0.0002" at 4xD



**Speed:** up to 30,000 rpm



**Set-up:** quick and easy



**Coolant-Thru:** thru-tool coolant



Milling



Tapping



Drilling



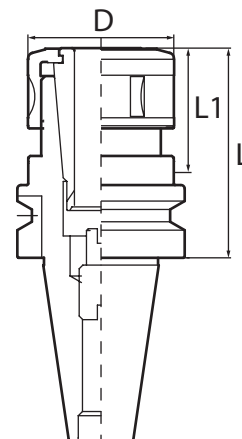
Reaming

Please note that the maximum RPM listed in our catalog may vary depending on the toolholder shank, weight, balanceability and the G rating.

### BT30

Part Number	Collet Size	Collet Range	Wrench	L	L1	D	Back-Up Screw
BT30-SK6-60	SK6	0.028 - 0.236"	SKL-6W	2.362"	1.299"	0.768"	SKG-8
BT30-SK6-90	SK6	0.028 - 0.236"	SKL-6W	3.543"	2.205"	0.768"	SKG-8
BT30-SK10-45	SK10	0.069 - 0.394"	SKL-10	1.772"	0.866"	1.083"	SKG-12S
BT30-SK10-60	SK10	0.069 - 0.394"	SKL-10	2.362"	1.378"	1.083"	SKG-12L
BT30-SK10-90	SK10	0.069 - 0.394"	SKL-10	3.543"	2.559"	1.083"	SKG-12L
BT30-SK16-60	SK16	0.108 - 0.630"	9HC16	2.362"	1.457"	1.575"	SKG-12L
BT30-SK16-90	SK16	0.108 - 0.630"	9HC16	3.543"	2.638"	1.575"	SKG-12
BT30-SK20-60	SK20	0.138 - 0.787"	9HC22	2.362"	1.496"	1.909"	SKG-12S
BT30-SK20-90	SK20	0.138 - 0.787"	9HC22	3.543"	2.677"	1.909"	SKG-12
BT30-SK25-90	SK25	0.630 - 1.000"	9HC22	3.543"	2.559"	2.165"	SKG-12

Available in **TAPER PLUS** Dual-taper and flange contact

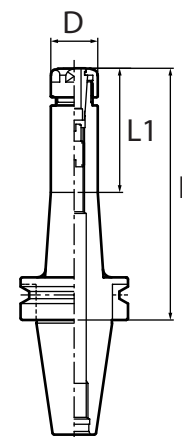


### BT40

Part Number	Collet Size	Collet Range	Wrench	L	L1	D	Back-Up Screw
BT40-SK6-90	SK6	0.028 - 0.236"	SKL-6W	3.543"	2.008"	0.768"	SKG-8
BT40-SK6-120	SK6	0.028 - 0.236"	SKL-6W	4.724"	2.362"	0.768"	SKG-8
BT40-SK6-150	SK6	0.028 - 0.236"	SKL-6W	5.906"	2.362"	0.768"	SKG-8
BT40-SK10-90	SK10	0.069 - 0.394"	SKL-10	3.543"	1.890"	1.083"	SKG-12L
BT40-SK10-120	SK10	0.069 - 0.394"	SKL-10	4.724"	2.874"	1.083"	SKG-12L
BT40-SK10-150	SK10	0.069 - 0.394"	SKL-10	5.906"	2.874"	1.083"	SKG-12L
BT40-SK10-180	SK10	0.069 - 0.394"	SKL-10	7.086"	-	1.083"	SKG-12L
BT40-SK16-90	SK16	0.108 - 0.630"	9HC16	3.543"	2.283"	1.575"	SKG-18L
BT40-SK16-120	SK16	0.108 - 0.630"	9HC16	4.724"	3.465"	1.575"	SKG-18L
BT40-SK16-150	SK16	0.108 - 0.630"	9HC16	5.906"	4.646"	1.575"	SKG-18L
BT40-SK16-180	SK16	0.108 - 0.630"	9HC16	7.086"	6.023"	1.575"	SKG-18L
BT40-SK25-75	SK25	0.630 - 1.000"	9HC22	2.953"	1.850"	2.165"	SKG-12
BT40-SK25-90	SK25	0.630 - 1.000"	9HC22	3.543"	2.402"	2.165"	SKG-28
BT40-SK25-120	SK25	0.630 - 1.000"	9HC22	4.724"	3.583"	2.165"	SKG-28

Note: Wrench and back-up screw not included.

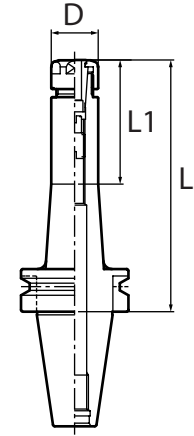
Available in **TAPER PLUS** Dual-taper and flange contact



## BT SK Collet Chucks

### BT50

Part Number	Collet Size	Collet Range	Wrench	L	L1	D	Back-Up Screw
BT50-SK6-105	SK6	0.028 - 0.236"	SKL-6W	4.134"	2.165"	0.768"	SKG-8
BT50-SK6-165	SK6	0.028 - 0.236"	SKL-6W	6.496"	2.362"	0.768"	SKG-8
BT50-SK6-195	SK6	0.028 - 0.236"	SKL-6W	7.677"	2.362"	0.768"	SKG-8
BT50-SK10-105	SK10	0.069 - 0.394"	SKL-10	4.134"	2.244"	1.083"	SKG-12L
BT50-SK10-165	SK10	0.069 - 0.394"	SKL-10	6.496"	2.953"	1.083"	SKG-12L
BT50-SK10-195	SK10	0.069 - 0.394"	SKL-10	7.677"	2.953"	1.083"	SKG-12L
BT50-SK16-105	SK16	0.108 - 0.630"	9HC16	4.134"	2.441"	1.575"	SKG-18L
BT50-SK16-165	SK16	0.108 - 0.630"	9HC16	6.496"	3.543"	1.575"	SKG-18L
BT50-SK16-195	SK16	0.108 - 0.630"	9HC16	7.677"	3.543"	1.575"	SKG-18L
BT50-SK25-105	SK25	0.630 - 1.000"	9HC22	4.134"	2.441"	2.165"	SKG-28
BT50-SK25-165	SK25	0.630 - 1.000"	9HC22	6.496"	4.803"	2.165"	SKG-28
BT50-SK25-195	SK25	0.630 - 1.000"	9HC22	7.677"	5.984"	2.165"	SKG-28

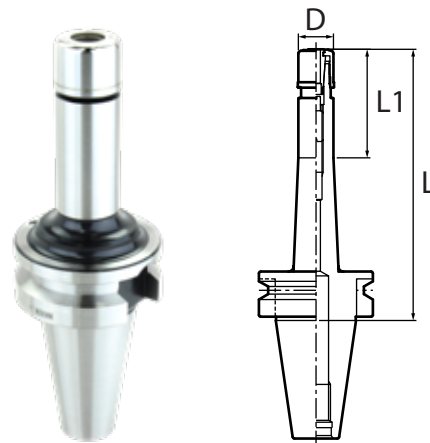


**BT SK Collet Chucks - High-Speed**

SK Collet Chucks

**BT30 - High-Speed**

Part Number	Collet Size	Collet Range	Wrench	L	L1	D	Back-Up Screw
BT30-SK6-60P	SK6	0.028 - 0.236"	GH6	2.362"	1.496"	0.768"	SKG-8
BT30-SK6-90P	SK6	0.028 - 0.236"	GH6	3.543"	2.480"	0.768"	SKG-8
BT30-SK10-45P	SK10	0.069 - 0.394"	GH10	1.772"	0.906"	1.083"	SKG-12S
BT30-SK10-60P	SK10	0.069 - 0.394"	GH10	2.362"	2.677"	1.083"	SKG-12L
BT30-SK10-90P	SK10	0.069 - 0.394"	GH10	3.543"	1.496"	1.083"	SKG-12L
BT30-SK16-60P	SK16	0.108 - 0.630"	GH16	2.362"	1.496"	1.575"	SKG-12L
BT30-SK16-90P	SK16	0.108 - 0.630"	GH16	3.543"	2.677"	1.575"	SKG-12
BT30-SK20-60P	SK20	0.138 - 0.787"	GH20	2.362"	1.496"	1.909"	SKG-12S
BT30-SK20-90P	SK20	0.138 - 0.787"	GH20	3.543"	2.677"	1.909"	SKG-12
BT30-SK25-90P	SK25	0.630 - 1.000"	GH25	3.543"	1.693"	2.165"	SKG-28




**BT40 - High-Speed**

Part Number	Collet Size	Collet Range	Wrench	L	L1	D	Back-Up Screw
BT40-SK6-90P	SK6	0.028 - 0.236"	GH6	3.543"	2.086"	0.768"	SKG-8
BT40-SK6-120P	SK6	0.028 - 0.236"	GH6	4.724"	3.661"	0.768"	SKG-8
BT40-SK6-150P	SK6	0.028 - 0.236"	GH6	5.906"	4.843"	0.768"	SKG-8
BT40-SK10-90P	SK10	0.069 - 0.394"	GH10	3.543"	2.480"	1.083"	SKG-12L
BT40-SK10-120P	SK10	0.069 - 0.394"	GH10	4.724"	3.661"	1.083"	SKG-12L
BT40-SK10-150P	SK10	0.069 - 0.394"	GH10	5.906"	2.874"	1.083"	SKG-12L
BT40-SK16-90P	SK16	0.108 - 0.630"	GH16	3.543"	2.480"	1.575"	SKG-18L
BT40-SK16-120P	SK16	0.108 - 0.630"	GH16	4.724"	3.661"	1.575"	SKG-18L
BT40-SK16-150P	SK16	0.108 - 0.630"	GH16	5.906"	4.646"	1.575"	SKG-18L
BT40-SK25-75P	SK25	0.630 - 1.000"	GH25	2.953"	1.890"	2.165"	SKG-12
BT40-SK25-90P	SK25	0.630 - 1.000"	GH25	3.543"	2.480"	2.165"	SKG-28
BT40-SK25-120P	SK25	0.630 - 1.000"	GH25	4.724"	3.661"	2.165"	SKG-28

**BT50 - High-Speed**

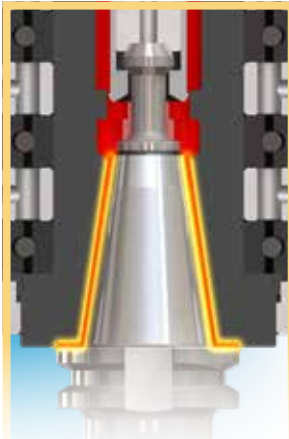
Part Number	Collet Size	Collet Range	Wrench	L	L1	D	Back-Up Screw
BT50-SK6-105P	SK6	0.028 - 0.236"	GH6	4.134"	2.638"	0.768"	SKG-8
BT50-SK6-165P	SK6	0.028 - 0.236"	GH6	6.496"	5.000"	0.768"	SKG-8
BT50-SK6-195P	SK6	0.028 - 0.236"	GH6	7.677"	2.362"	0.768"	SKG-8
BT50-SK10-105P	SK10	0.069 - 0.394"	GH10	4.134"	2.638"	1.083"	SKG-12L
BT50-SK10-165P	SK10	0.069 - 0.394"	GH10	6.496"	5.000"	1.083"	SKG-12L
BT50-SK10-195P	SK10	0.069 - 0.394"	GH10	7.677"	6.181"	1.083"	SKG-12L
BT50-SK16-105P	SK16	0.108 - 0.630"	GH16	4.134"	2.638"	1.575"	SKG-18L
BT50-SK16-165P	SK16	0.108 - 0.630"	GH16	6.496"	5.000"	1.575"	SKG-18L
BT50-SK16-195P	SK16	0.108 - 0.630"	GH16	7.677"	3.543"	1.575"	SKG-18L
BT50-SK25-105P	SK25	0.630 - 1.000"	GH25	4.134"	2.638"	2.165"	SKG-28
BT50-SK25-165P	SK25	0.630 - 1.000"	GH25	6.496"	5.000"	2.165"	SKG-28
BT50-SK25-195P	SK25	0.630 - 1.000"	GH25	7.677"	5.984"	2.165"	SKG-28

Note: Wrench and back-up screw not included.

Available in **TAPER PLUS** 

Dual-taper and flange contact available.  
See pages 24-25.

**TAPER PLUS  
COMBINING TAPER ACCURACY  
WITH FLANGE RIGIDITY!**



- Outstanding Runout Accuracy for longer tool life
- Vibration Dampening for increased productivity
- High Rigidity for smooth and stable cutting



## Straight Shank SK Collet Chucks



**T.I.R.:** ≤ 0.0002" at 4xD



**Speed:** up to 30,000 rpm



**Set-up:** quick and easy



**Coolant-Thru:** thru-tool coolant



Milling



Tapping



Drilling



Reaming

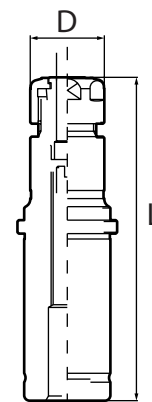
- Feature TiN Bearing Nut which considerably improves cutting rigidity and finish
- Narrow body allows access to tight spaces and hard to reach areas
- Unique high-pressure coolant collet system for higher accuracy and gripping torque
- 8° taper SK collet provides double the clamping force and precision than ER Collet Chucks

Please note that the maximum RPM listed in our catalog may vary depending on the toolholder shank, weight, balanceability and the G rating.

### Straight Shank

Part Number	Collet Size	Collet Range	Wrench	L	D
K3/4-SK10-100	SK10	0.069 - 0.394"	SKL-10	3.937"	1.083"
K3/4-SK10-120	SK10	0.069 - 0.394"	SKL-10	4.724"	1.083"
K1.1/4-SK6-120	SK6	0.028 - 0.236"	SKL-6W	4.724"	0.768"
K1.1/4-SK6-170	SK6	0.028 - 0.236"	SKL-6W	6.693"	0.768"
K1.1/4-SK10-120	SK10	0.069 - 0.394"	SKL-10	4.724"	1.083"
K1.1/4-SK10-150	SK10	0.069 - 0.394"	SKL-10	5.906"	1.083"
K1.1/4-SK10-210	SK10	0.069 - 0.394"	SKL-10	8.268"	1.083"
K1.1/4-SK16-120	SK16	0.108 - 0.630"	9HC16	4.724"	1.575"
K1.1/4-SK16-150	SK16	0.108 - 0.630"	9HC16	5.906"	1.575"
K1.1/4-SK16-210	SK16	0.108 - 0.630"	9HC16	8.268"	1.575"
K1.1/4-SK25-150	SK25	0.630 - 1.000"	9HC22	5.906"	2.165"

Note: Wrench and back-up screw not included.



SK Collets  
Page 30



Wrench  
Page 36



Back-up  
Screw  
Page 37



Coolant-thru  
Nut  
Page 35

## HSK SK Collet Chucks

- Feature TiN Bearing Nut which considerably improves cutting rigidity and finish
- Narrow body allows access to tight spaces and hard to reach areas
- Unique high-pressure coolant collet system for higher accuracy and gripping torque
- 8° taper SK collet provides double the clamping force and precision than ER Collet Chucks



**T.I.R.:** ≤ 0.0002" at 4xD



**Speed:** up to 30,000 rpm



**Set-up:** quick and easy



**Coolant-Thru:** thru-tool coolant



Milling



Tapping



Drilling



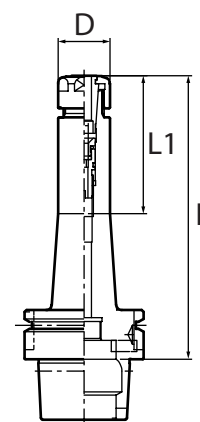
Reaming

Please note that the maximum RPM listed in our catalog may vary depending on the toolholder shank, weight, balanceability and the G rating.

### HSK63A

Part Number	Collet Size	Collet Range	Wrench	L	L1	D	Back-Up Screw
HSK63A-SK6C-100	SK6	0.028 - 0.236"	SKL-6W	3.937"	2.441"	0.768"	SKG6-6HG
HSK63A-SK6C-120	SK6	0.028 - 0.236"	SKL-6W	4.724"	2.441"	0.768"	SKG6-6HG
HSK63A-SK6C-150	SK6	0.028 - 0.236"	SKL-6W	5.906"	2.362"	0.768"	SKG6-6HG
HSK63A-SK10C-105	SK10	0.069 - 0.394"	SKL-10	4.134"	2.913"	1.083"	SKG10-10HG
HSK63A-SK10C-120	SK10	0.069 - 0.394"	SKL-10	4.724"	2.362"	1.083"	SKG10-10HG
HSK63A-SK10C-150	SK10	0.069 - 0.394"	SKL-10	5.906"	2.874"	1.083"	SKG10-10HG
HSK63A-SK16C-120	SK16	0.108 - 0.630"	9HC16	4.724"	3.583"	1.575"	SKG16-10HG
HSK63A-SK16C-150	SK16	0.108 - 0.630"	9HC16	5.906"	4.764"	1.575"	SKG16-12HG
HSK63A-SK25C-135	SK25	0.630 - 1.000"	9HC22	5.315"	4.252"	2.165"	SKG25-18HGE

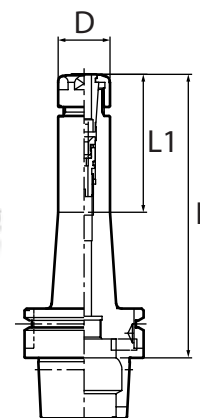
Note: Wrench and back-up screw not included. Coolant tube and coolant tube wrench are sold separately.



### HSK100A

Part Number	Collet Size	Collet Range	Wrench	L	L1	D	Back-Up Screw
HSK100A-SK6C-105	SK6	0.028 - 0.236"	SKL-6W	4.134"	2.441"	0.768"	SKG6-6HG
HSK100A-SK10C-105	SK10	0.069 - 0.394"	SKL-10	4.134"	2.244"	1.083"	SKG10-10HG
HSK100A-SK10C-120	SK10	0.069 - 0.394"	SKL-10	4.724"	2.913"	1.083"	SKG10-10HG
HSK100A-SK10C-150	SK10	0.069 - 0.394"	SKL-10	5.906"	3.150"	1.083"	SKG10-10HG
HSK100A-SK10C-200	SK10	0.069 - 0.394"	SKL-10	7.874"	2.953"	1.083"	SKG10-10HG
HSK100A-SK16C-120	SK16	0.108 - 0.630"	9HC16	4.724"	3.386"	1.575"	SKG16-10HG
HSK100A-SK16C-150	SK16	0.108 - 0.630"	9HC16	5.906"	3.543"	1.575"	SKG16-12HG
HSK100A-SK16C-200	SK16	0.108 - 0.630"	9HC16	7.874"	3.543"	1.575"	SKG16-12HG
HSK100A-SK25C-145	SK25	0.630 - 1.000"	9HC22	5.709"	4.370"	2.165"	SKG25-18HGE

Note: Wrench and back-up screw not included. Coolant tube and coolant tube wrench are sold separately.



### Coolant Tube Wrench for HSK Holders

Part Number	Description
HSK40-WRENCH	Wrench for HSK40 Coolant Tube
HSK63-WRENCH	Wrench for HSK63 Coolant Tube
HSK100-WRENCH	Wrench for HSK100 Coolant Tube



### Coolant Tube for HSK Holders

Part Number	Description
HSK40-TUBE	Coolant Tube for HSK40 holder
HSK63-TUBE	Coolant Tube for HSK63 holder
HSK100-TUBE	Coolant Tube for HSK100 holder



Note: Coolant Tube Wrenches are needed to remove or install coolant tubes in HSK toolholders.



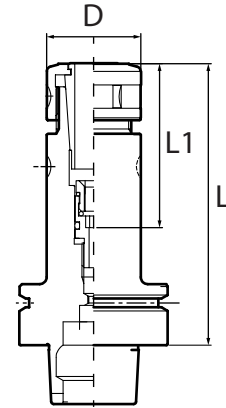
## HSK SK Collet Chucks - High-Speed

### HSK32E and HSK40E High-Speed

Part Number	Collet Size	Collet Range	Wrench	L	L1	D	Back-Up Screw
HSK32E-SK6-50P	SK6	0.028 - 0.236"	GH6	1.969"	1.260"	0.768"	-
HSK32E-SK10-60P	SK10	0.069 - 0.394"	GH10	2.362"	1.732"	1.083"	SKG-6L
HSK40E-SK6-60P	SK6	0.028 - 0.236"	GH6	2.362"	1.456"	0.768"	-
HSK40E-SK10-60P	SK10	0.069 - 0.394"	GH10	2.362"	2.047"	1.083"	SKG-6L
HSK40E-SK16-80P	SK16	0.108 - 0.630"	GH16	3.149"	-	1.575"	SKG-12L

Note: Wrench and back-up screw not included.

Coolant tube and coolant tube wrench are sold separately. See page 20 for details.



### HSK63A High-Speed

Part Number	Collet Size	Collet Range	Wrench	L	L1	D	Back-Up Screw
HSK63A-SK6C-100P	SK6	0.028 - 0.236"	GH6	3.937"	2.913"	0.768"	SKG6-6HG
HSK63A-SK6C-120P	SK6	0.028 - 0.236"	GH6	4.724"	3.700"	0.768"	SKG6-6HG
HSK63A-SK6C-150P	SK6	0.028 - 0.236"	GH6	5.906"	4.882"	0.768"	SKG6-6HG
HSK63A-SK10C-105P	SK10	0.069 - 0.394"	GH10	4.134"	3.110"	1.083"	SKG10-10HG
HSK63A-SK10C-120P	SK10	0.069 - 0.394"	GH10	4.724"	3.700"	1.083"	SKG10-10HG
HSK63A-SK10C-150P	SK10	0.069 - 0.394"	GH10	5.906"	4.882"	1.083"	SKG10-10HG
HSK63A-SK16C-120P	SK16	0.108 - 0.630"	GH16	4.724"	3.700"	1.575"	SKG16-10HG
HSK63A-SK16C-150P	SK16	0.108 - 0.630"	GH16	5.906"	4.882"	1.575"	SKG16-12HG
HSK63A-SK25C-135P	SK25	0.630 - 1.000"	GH25	5.315"	4.252"	2.165"	SKG25-18HGE

Note: Wrench and back-up screw not included.

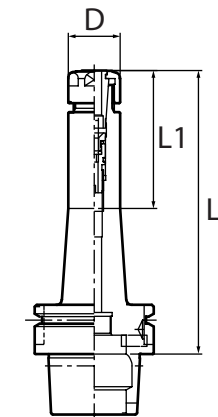
Coolant tube and coolant tube wrench are sold separately. See page 20 for details.

### HSK63F High-Speed

Part Number	Collet Size	Collet Range	Wrench	L	L1	D	Back-Up Screw
HSK63F-SK10C-105P	SK10	0.069 - 0.394"	GH10	4.134"	2.913"	1.083"	SKG10-10HG
HSK63F-SK16C-120P	SK16	0.108 - 0.630"	GH16	4.724"	3.583"	1.575"	SKG16-10HG

Note: Wrench and back-up screw not included.

Coolant tube and coolant tube wrench are sold separately. See page 20 for details.

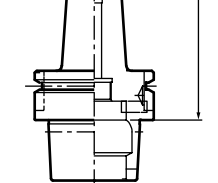


### HSK100A High-Speed

Part Number	Collet Size	Collet Range	Wrench	L	L1	D	Back-Up Screw
HSK100A-SK6C-105P	SK6	0.028 - 0.236"	GH6	4.134"	2.637"	0.768"	SKG6-6HG
HSK100A-SK10C-105P	SK10	0.069 - 0.394"	GH10	4.134"	2.441"	1.083"	SKG10-10HG
HSK100A-SK10C-120P	SK10	0.069 - 0.394"	GH10	4.724"	3.031"	1.083"	SKG10-10HG
HSK100A-SK10C-150P	SK10	0.069 - 0.394"	GH10	5.906"	4.213"	1.083"	SKG10-10HG
HSK100A-SK10C-200P	SK10	0.069 - 0.394"	GH10	7.874"	6.732"	1.083"	SKG10-10HG
HSK100A-SK16C-120P	SK16	0.108 - 0.630"	GH16	4.724"	3.583"	1.575"	SKG16-10HG
HSK100A-SK16C-150P	SK16	0.108 - 0.630"	GH16	5.906"	3.740"	1.575"	SKG16-12HG
HSK100A-SK16C-200P	SK16	0.108 - 0.630"	GH16	7.874"	6.732"	1.575"	SKG16-12HG
HSK100A-SK25C-145P	SK25	0.630 - 1.000"	GH25	5.709"	4.567"	2.165"	SKG25-18HGE

Note: Wrench and back-up screw not included.

Coolant tube and coolant tube wrench are sold separately. See page 20 for details.



SK Collet Chucks



SK Collets  
Page 30



Wrench  
Page 36



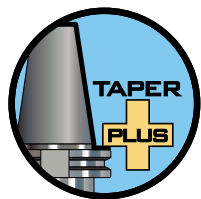
Back-up  
Screw  
Page 37



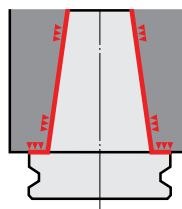
Coolant-thru  
Nut  
Page 35

# Taper Plus CAT SK Collet Chucks

## Taper Plus Advantages



- Outstanding runout accuracy for longer tool life
- Vibration dampening for increased productivity
- High rigidity for smooth and stable cutting
- Interchangeable between standard and dual face contact spindles
- 53% more surface area contact than just the taper alone



## Taper Plus - CAT40 SK6

Part Number	Collet Series	Collet Range	Wrench	L	ℓ	ℓ1	C	C1	Back Up Screw	Figure
NCAT40-SK6C-90U	SK6	0.028 - 0.236"	SKL-6W	3.543"	2.165"	2.793"	0.768"	1.750"	SKG6-6HG	2
NCAT40-SK6C-120U	SK6	0.028 - 0.236"	SKL-6W	4.724"	2.441"	3.346"	0.768"	1.260"	SKG6-6HG	2
NCAT40-SK6C-150U	SK6	0.028 - 0.236"	SKL-6W	4.724"	2.441"	3.346"	0.768"	1.260"	SKG6-6HG	2

## Taper Plus - CAT40 SK10

Part Number	Collet Series	Collet Range	Wrench	L	ℓ	ℓ1	C	C1	Back Up Screw 4mm+ (.157"+)	Back Up Screw 6mm+ (.236"+)	Figure
NCAT40-SK10C-90U	SK10	0.069 - 0.394"	SKL-10	3.543"	1.969"	2.793"	1.083"	1.750"	SKG10-10HGA	SKG10-10HG	2
NCAT40-SK10C-120U	SK10	0.069 - 0.394"	SKL-10	4.724"	2.756"	3.346"	1.083"	1.260"	SKG10-10HGA	SKG10-10HG	2
NCAT40-SK10C-150U	SK10	0.069 - 0.394"	SKL-10	5.906"	2.874"	4.528"	1.083"	1.343"	SKG10-10HGA	SKG10-10HG	3
NCAT40-SK10C-180U	SK10	0.069 - 0.394"	SKL-10	7.087"	2.874"	5.827"	1.083"	1.343"	SKG10-10HGA	SKG10-10HG	3

## Taper Plus - CAT40 SK16

Part Number	Collet Series	Collet Range	Wrench	L	ℓ	ℓ1	C	C1	Back Up Screw 5mm+ (.197"+)	Back Up Screw 10mm+ (.394"+)	Figure
NCAT40-SK16C-60U	SK16	0.108 - 0.630"	9HC16	2.362"	1.612"	n/a	1.575"	1.575"	SKG16-10HGA	SKG16-10HG	1
NCAT40-SK16C-90U	SK16	0.108 - 0.630"	9HC16	3.543"	2.165"	2.793"	1.575"	1.750"	SKG16-12HGA	SKG16-12HG	2
NCAT40-SK16C-120U	SK16	0.108 - 0.630"	9HC16	4.724"	3.547"	4.175"	1.575"	1.750"	SKG16-12HGA	SKG16-12HG	2
NCAT40-SK16C-150U	SK16	0.108 - 0.630"	9HC16	5.906"	4.728"	5.356"	1.575"	1.750"	SKG16-12HGA	SKG16-12HG	2
NCAT40-SK16C-180U	SK16	0.108 - 0.630"	9HC16	7.087"	5.081"	5.709"	1.575"	1.750"	SKG16-12HGA	SKG16-12HG	2



Fig. 1

## Taper Plus - CAT40 SK20

Part Number	Collet Series	Collet Range	Wrench	L	ℓ	ℓ1	C	C1	Back Up Screw	Figure
NCAT40-SK20C-50U-IDU*	SK20	0.138 - 0.787"	9HC22	1.969"	n/a	1.219"	1.909"	n/a	SKG20-12HG	2
NCAT40-SK20C-65U-IDU*	SK20	0.138 - 0.787"	9HC22	2.559"	n/a	1.809"	1.909"	n/a	SKG20-12HG	2
NCAT40-SK20C-90U-IDU*	SK20	0.138 - 0.787"	9HC22	3.543"	n/a	2.793"	1.909"	n/a	SKG20-18HG	2
NCAT40-SK20C-120U-IDU*	SK20	0.138 - 0.787"	9HC22	4.724"	n/a	3.974"	1.909"	n/a	SKG20-18HG	2
NCAT40-SK20C-150U-IDU*	SK20	0.138 - 0.787"	9HC22	5.906"	n/a	5.516"	1.909"	n/a	SKG20-18HG	2
NCAT40-SK20C-180U-IDU*	SK20	0.138 - 0.787"	9HC22	7.087"	n/a	6.337"	1.909"	n/a	SKG20-18HG	2

Note: \*-IDU" type holders have a pre-machined counter-bore on the drive key to accept Balluff BIS-C122-04/L RFID chips (10 X 4.5mm size)

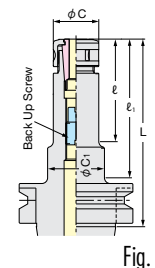


Fig. 2

## Taper Plus - CAT40 SK25

Part Number	Collet Series	Collet Range	Wrench	L	ℓ	ℓ1	C	C1	Back Up Screw	Figure
NCAT40-SK25C-90U	SK25	0.630 - 1.000"	9HC22	3.543"	2.793"	n/a	2.165"	2.165"	SKG25-18HGD	1
NCAT40-SK25C-120U	SK25	0.630 - 1.000"	9HC22	4.724"	3.974"	n/a	2.165"	2.165"	SKG25-24HG	1

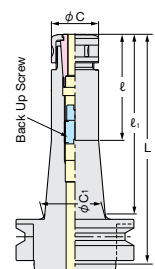


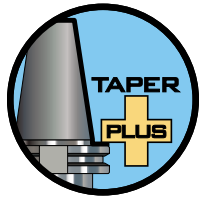
Fig. 3



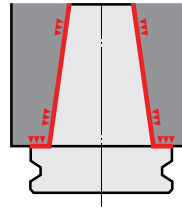


## Taper Plus CAT SK Collet Chucks

### Taper Plus Advantages



- Outstanding runout accuracy for longer tool life
- Vibration dampening for increased productivity
- High rigidity for smooth and stable cutting
- Interchangeable between standard and dual face contact spindles
- 53% more surface area contact than just the taper alone



SK Collet Chucks

### Taper Plus - CAT50 SK6

Part Number	Collet Series	Collet Range	Wrench	L	ℓ	ℓ1	C	C1	Back Up Screw	Figure
NCAT50-SK6C-105U	SK6	0.028 - 0.236"	SKL-6W	4.134"	2.756"	3.384"	0.768"	2.750"	SKG6-6HG	2
NCAT50-SK6C-165U	SK6	0.028 - 0.236"	SKL-6W	6.496"	2.441"	5.118"	0.768"	1.260"	SKG6-6HG	2
NCAT50-SK6C-195U	SK6	0.028 - 0.236"	SKL-6W	7.677"	2.362"	6.299"	0.768"	1.181"	SKG6-6HG	3

### Taper Plus - CAT50 SK10

Part Number	Collet Series	Collet Range	Wrench	L	ℓ	ℓ1	C	C1	Back Up Screw 4mm+ (.157"+)	Back Up Screw 6mm+ (.236"+)	Figure
NCAT50-SK10C-105U	SK10	0.069 - 0.394"	SKL-10	4.138"	2.362"	3.384"	1.083"	2.750"	SKG10-10HGA	SKG10-10HG	2
NCAT50-SK10C-165U	SK10	0.069 - 0.394"	SKL-10	6.496"	2.953"	5.118"	1.083"	1.260"	SKG10-10HGA	SKG10-10HG	2
NCAT50-SK10C-195U	SK10	0.069 - 0.394"	SKL-10	7.677"	2.953"	6.299"	1.083"	1.417"	SKG10-10HGA	SKG10-10HG	3
NCAT50-SK10C-225U	SK10	0.069 - 0.394"	SKL-10	8.858"	2.953"	7.677"	1.083"	1.575"	SKG10-10HGA	SKG10-10HG	3

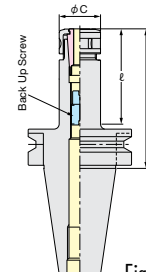


Fig. 1

### Taper Plus - CAT50 SK16

Part Number	Collet Series	Collet Range	Wrench	L	ℓ	ℓ1	C	C1	Back Up Screw 5mm+ (.197"+)	Back Up Screw 10mm+ (.394"+)	Figure
NCAT50-SK16C-105U	SK16	0.108 - 0.630"	9HC16	4.138"	3.384"	2.756"	1.575"	2.750"	SKG16-12HGA	SKG16-12HG	2
NCAT50-SK16C-165U	SK16	0.108 - 0.630"	9HC16	6.496"	5.118"	5.746"	1.575"	2.750"	SKG16-12HGA	SKG16-12HG	2
NCAT50-SK16C-195U	SK16	0.108 - 0.630"	9HC16	7.677"	6.496"	6.927"	1.575"	2.750"	SKG16-12HGA	SKG16-12HG	2

### Taper Plus - CAT50 SK20

Part Number	Collet Series	Collet Range	Wrench	L	ℓ	ℓ1	C	C1	Back Up Screw	Figure
NCAT50-SK20C-105U-IDU*	SK20	0.138 - 0.787"	9HC22	4.134"	n/a	2.756"	1.909"	n/a	SKG20-18HG	2
NCAT50-SK20C-165U-IDU*	SK20	0.138 - 0.787"	9HC22	6.496"	n/a	5.746"	1.909"	n/a	SKG20-18HG	2

Note: \*-IDU\* type holders have a pre-machined counter-bore on the drive key to accept Balluff BIS-C122-04/L RFID chips (10 X 4.5mm size)

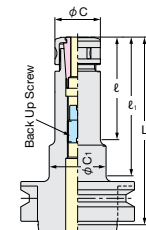


Fig. 2

### Taper Plus - CAT50 SK25

Part Number	Collet Series	Collet Range	Wrench	L	ℓ	ℓ1	C	C1	Back Up Screw	Figure
NCAT50-SK25C-105U	SK25	0.630 - 1.000"	9HC22	4.134"	2.559"	3.384"	2.165"	2.750"	SKG25-24HG	2
NCAT50-SK25C-165U	SK25	0.630 - 1.000"	9HC22	6.496"	4.921"	5.746"	2.165"	2.750"	SKG25-24HG	2
NCAT50-SK25C-195U	SK25	0.630 - 1.000"	9HC22	7.677"	6.102"	6.927"	2.165"	2.750"	SKG25-24HG	2

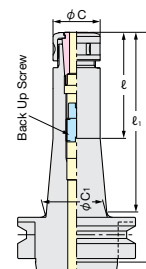


Fig. 3



SK Collets  
Page 30



Wrench  
Page 36



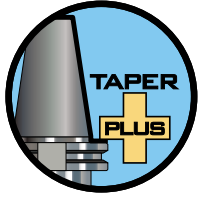
Back-up  
Screw  
Page 37



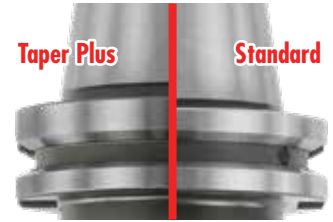
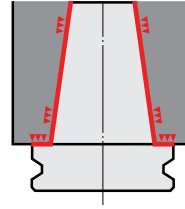
Coolant-thru  
Nut  
Page 35

# Taper Plus BT SK Collet Chucks

## Taper Plus Advantages



- Outstanding runout accuracy for longer tool life
- Vibration dampening for increased productivity
- High rigidity for smooth and stable cutting
- Interchangeable between standard and dual face contact spindles
- 53% more surface area contact than just the taper alone



## Taper Plus - BT30 SK6

Part Number	Collet Series	Collet Range	Wrench	L	ℓ	ℓ1	C	C1	Back Up Screw	Figure
NBT30-SK6C-60	SK6	0.028 - 0.236"	SKL-6W	2.362"	1.299"	n/a	0.768"	0.768"	SKG6-6HG	1
NBT30-SK6C-90	SK6	0.028 - 0.236"	SKL-6W	3.543"	2.205"	2.559"	0.768"	1.260"	SKG6-6HG	2
NBT30-SK6C-120	SK6	0.028 - 0.236"	SKL-6W	4.724"	2.441"	3.740"	0.768"	1.260"	SKG6-6HG	2

## Taper Plus - BT30 SK10

Part Number	Collet Series	Collet Range	Wrench	L	ℓ	ℓ1	C	C1	Back Up Screw 4mm+ (.157"+)	Back Up Screw 6mm+ (.236"+)	Figure
NBT30-SK10C-45	SK10	0.069 - 0.394"	SKL-10	1.772"	0.866"	n/a	1.083"	1.083"	SKG10-10HGA	SKG10-10HG	1
NBT30-SK10C-60	SK10	0.069 - 0.394"	SKL-10	2.362"	1.378"	n/a	1.083"	1.083"	SKG10-10HGA	SKG10-10HG	1
NBT30-SK10C-75	SK10	0.069 - 0.394"	SKL-10	2.953"	1.969"	n/a	1.083"	1.083"	SKG10-10HGA	SKG10-10HG	1
NBT30-SK10C-90	SK10	0.069 - 0.394"	SKL-10	3.543"	2.559"	n/a	1.083"	1.083"	SKG10-10HGA	SKG10-10HG	1
NBT30-SK10C-120	SK10	0.069 - 0.394"	SKL-10	4.724"	3.740"	n/a	1.083"	1.083"	SKG10-10HGA	SKG10-10HG	1

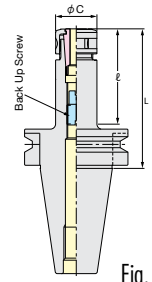


Fig. 1

## Taper Plus - BT30 SK16

Part Number	Collet Series	Collet Range	Wrench	L	ℓ	ℓ1	C	C1	Back Up Screw 5mm+ (.197"+)	Back Up Screw 10mm+ (.394"+)	Figure
NBT30-SK16C-60	SK16	0.108 - 0.630"	9HC16	2.362"	1.457"	n/a	1.575"	1.575"	n/a	SKG16-12HGE	1
NBT30-SK16C-75	SK16	0.108 - 0.630"	9HC16	2.953"	2.047"	n/a	1.575"	1.575"	SKG16-10HGA	SKG16-10HG	1
NBT30-SK16C-90	SK16	0.108 - 0.630"	9HC16	3.543"	2.638"	n/a	1.575"	1.575"	SKG16-12HGA	SKG16-12HG	1
NBT30-SK16C-120	SK16	0.108 - 0.630"	9HC16	4.724"	3.819"	n/a	1.575"	1.575"	SKG16-12HGA	SKG16-12HG	1

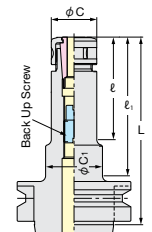


Fig. 2

## Taper Plus - BT30 SK20

Part Number	Collet Series	Collet Range	Wrench	L	ℓ	ℓ1	C	C1	Back Up Screw	Figure
NBT30-SK20-60	SK20	0.138 - 0.787"	9HC22	2.362"	1.496"	n/a	1.909"	1.909"	SKG-12S	1
NBT30-SK20C-75	SK20	0.138 - 0.787"	9HC22	2.953"	2.087"	n/a	1.909"	1.909"	SKG20-12HGE	1
NBT30-SK20C-90	SK20	0.138 - 0.787"	9HC22	3.543"	2.677"	n/a	1.909"	1.909"	SKG20-12HG	1

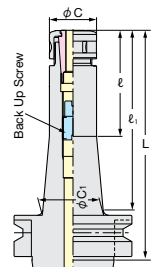


Fig. 3

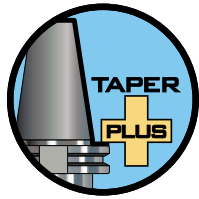
## Taper Plus - BT30 SK25

Part Number	Collet Series	Collet Range	Wrench	L	ℓ	ℓ1	C	C1	Back Up Screw	Figure
NBT30-SK25-90	SK25	0.630 - 1.000"	9HC22	3.543"	2.638"	n/a	2.165"	2.165"	SKG25-24HG	1

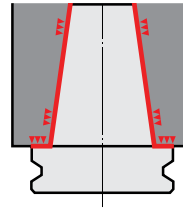


## Taper Plus BT SK Collet Chucks

### Taper Plus Advantages



- Outstanding runout accuracy for longer tool life
- Vibration dampening for increased productivity
- High rigidity for smooth and stable cutting
- Interchangeable between standard and dual face contact spindles
- 53% more surface area contact than just the taper alone



SK Collet Chucks

### Taper Plus - BT40 SK6

Part Number	Collet Series	Collet Range	Wrench	L	ℓ	ℓ1	C	C1	Back Up Screw	Figure
NBT40-SK6C-60	SK6	0.028 - 0.236"	SKL-6W	2.362"	1.181"	n/a	0.768"	0.768"	SKG6-6HG	1
NBT40-SK6C-90	SK6	0.028 - 0.236"	SKL-6W	3.543"	2.008"	2.362"	0.768"	1.260"	SKG6-6HG	2
NBT40-SK6C-120	SK6	0.028 - 0.236"	SKL-6W	4.724"	2.362"	3.543"	0.768"	1.260"	SKG6-6HG	2
NBT40-SK6C-150	SK6	0.028 - 0.236"	SKL-6W	5.906"	2.362"	4.724"	0.768"	0.984"	SKG6-6HG	3

### Taper Plus - BT40 SK10

Part Number	Collet Series	Collet Range	Wrench	L	ℓ	ℓ1	C	C1	Back Up Screw 4mm+ (.157"+)	Back Up Screw 6mm+ (.236"+)	Figure
NBT40-SK10C-60	SK10	0.069 - 0.394"	SKL-10	2.362"	1.260"	n/a	1.083"	1.083"	SKG10-10HGA	SKG10-10HG	1
NBT40-SK10C-75	SK10	0.069 - 0.394"	SKL-10	2.953"	1.575"	n/a	1.083"	1.083"	SKG10-10HGA	SKG10-10HG	1
NBT40-SK10C-90	SK10	0.069 - 0.394"	SKL-10	3.543"	1.890"	2.362"	1.083"	1.575"	SKG10-10HGA	SKG10-10HG	2
NBT40-SK10C-120	SK10	0.069 - 0.394"	SKL-10	4.724"	2.874"	3.543"	1.083"	1.575"	SKG10-10HGA	SKG10-10HG	2
NBT40-SK10C-150	SK10	0.069 - 0.394"	SKL-10	5.906"	2.874"	4.646"	1.083"	1.358"	SKG10-10HGA	SKG10-10HG	3
NBT40-SK10C-180	SK10	0.069 - 0.394"	SKL-10	7.087"	2.874"	5.827"	1.083"	1.535"	SKG10-10HGA	SKG10-10HG	3
NBT40-SK10C-200	SK10	0.069 - 0.394"	SKL-10	7.874"	2.874"	6.614"	1.083"	1.535"	SKG10-10HGA	SKG10-10HG	3
NBT40-SK10C-250	SK10	0.069 - 0.394"	SKL-10	9.843"	2.874"	8.583"	1.083"	1.535"	SKG10-10HGA	SKG10-10HG	3

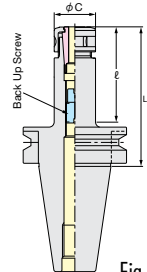


Fig. 1

### Taper Plus - BT40 SK16

Part Number	Collet Series	Collet Range	Wrench	L	ℓ	ℓ1	C	C1	Back Up Screw 5mm+ (.197"+)	Back Up Screw 10mm+ (.394"+)	Figure
NBT40-SK16C-60	SK16	0.108 - 0.630"	9HC16	2.362"	1.260"	n/a	1.575"	1.575"	SKG16-10HGA	SKG16-10HG	1
NBT40-SK16C-75	SK16	0.108 - 0.630"	9HC16	2.953"	1.772"	n/a	1.575"	1.575"	SKG16-12HGA	SKG16-12HG	1
NBT40-SK16C-90	SK16	0.108 - 0.630"	9HC16	3.543"	2.283"	n/a	1.575"	1.575"	SKG16-12HGA	SKG16-12HG	1
NBT40-SK16C-120	SK16	0.108 - 0.630"	9HC16	4.724"	3.465"	n/a	1.575"	1.575"	SKG16-12HGA	SKG16-12HG	1
NBT40-SK16C-150	SK16	0.108 - 0.630"	9HC16	5.906"	4.646"	n/a	1.575"	1.575"	SKG16-12HGA	SKG16-12HG	1
NBT40-SK16C-180	SK16	0.108 - 0.630"	9HC16	7.087"	5.823"	n/a	1.575"	1.575"	SKG16-12HGA	SKG16-12HG	1
NBT40-SK16C-200	SK16	0.108 - 0.630"	9HC16	7.874"	6.614"	n/a	1.575"	1.575"	SKG16-12HGA	SKG16-12HG	1
NBT40-SK16C-250	SK16	0.108 - 0.630"	9HC16	9.843"	8.583"	n/a	1.575"	1.575"	SKG16-12HGA	SKG16-12HG	1

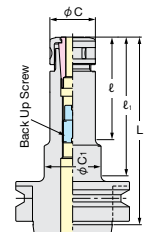


Fig. 2

### Taper Plus - BT40 SK25

Part Number	Collet Series	Collet Range	Wrench	L	ℓ	ℓ1	C	C1	Back Up Screw	Figure
NBT40-SK25C-75	SK25	0.630 - 1.000"	9HC22	2.953"	1.850"	n/a	2.165"	2.165"	SKG25-24HGE	1
NBT40-SK25C-90	SK25	0.630 - 1.000"	9HC22	3.543"	2.402"	n/a	2.165"	2.165"	SKG25-18HGD	1
NBT40-SK25C-120	SK25	0.630 - 1.000"	9HC22	4.724"	3.583"	n/a	2.165"	2.165"	SKG25-24HG	1

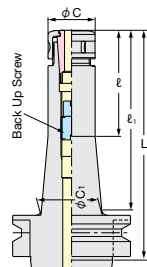


Fig. 3



SK Collets  
Page 30



Wrench  
Page 36



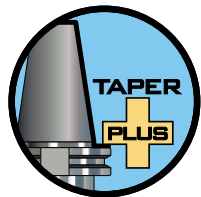
Back-up  
Screw  
Page 37



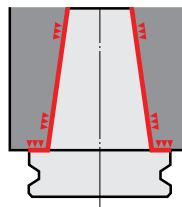
Coolant-thru  
Nut  
Page 35

Taper Plus CAT Slim Chuck Coolant High-Speed

Taper Plus Advantages



- Outstanding runout accuracy for longer tool life
- Vibration dampening for increased productivity
- High rigidity for smooth and stable cutting
- Interchangeable between standard and dual face contact spindles
- 53% more surface area contact than just the taper alone



Taper Plus - CAT40 SK6-P

Part Number	Collet Series	Collet Range	Wrench	L	ℓ1	C	C1	Back Up Screw
NCAT40-SK6C-90UP	SK6	0.028 - 0.236"	GH6	3.543"	2.165"	0.768"	1.750"	SKG-8
NCAT40-SK6C-120UP	SK6	0.028 - 0.236"	GH6	4.724"	2.441"	0.768"	1.260"	SKG-8
NCAT40-SK6C-150UP	SK6	0.028 - 0.236"	GH6	5.906"	2.362"	0.768"	0.984"	SKG-8

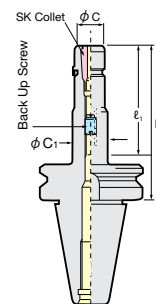
Taper Plus - CAT40 SK10-P

Part Number	Collet Series	Collet Range	Wrench	L	ℓ1	C	C1	Back Up Screw
NCAT40-SK10C-90UP	SK10	0.069 - 0.394"	GH10	3.543"	1.969"	1.083"	1.750"	SKG10-10HG
NCAT40-SK10C-120UP	SK10	0.069 - 0.394"	GH10	4.724"	2.756"	1.083"	1.260"	SKG10-10HG
NCAT40-SK10C-150UP	SK10	0.069 - 0.394"	GH10	5.906"	2.874"	1.083"	1.343"	SKG10-10HG



Taper Plus - CAT40 SK16-P

Part Number	Collet Series	Collet Range	Wrench	L	ℓ1	C	C1	Back Up Screw
NCAT40-SK16C-60UP	SK16	0.108 - 0.630"	GH16	2.362"	1.612"	1.575"	1.575"	n/a
NCAT40-SK16C-90UP	SK16	0.108 - 0.630"	GH16	3.543"	2.165"	1.575"	1.750"	SKG-18L
NCAT40-SK16C-120UP	SK16	0.108 - 0.630"	GH16	4.724"	3.346"	1.575"	1.750"	SKG-18L
NCAT40-SK16C-150UP	SK16	0.108 - 0.630"	GH16	5.906"	4.526"	1.575"	1.750"	SKG-18L



Taper Plus - CAT40 SK20-P

Part Number	Collet Series	Collet Range	Wrench	L	ℓ1	C	C1	Back Up Screw
NCAT40-SK20C-65UP-IDU*	SK20	0.138 - 0.787"	GH20	2.559"	1.809"	1.909"	n/a	SKG20-12HG
NCAT40-SK20C-90UP-IDU*	SK20	0.138 - 0.787"	GH20	3.543"	2.793"	1.909"	n/a	SKG20-18HG
NCAT40-SK20C-120UP-IDU*	SK20	0.138 - 0.787"	GH20	4.724"	3.974"	1.909"	n/a	SKG20-18HG
NCAT40-SK20C-150UP-IDU*	SK20	0.138 - 0.787"	GH20	5.906"	5.516"	1.909"	n/a	SKG20-18HG

Note: \*"-IDU" type holders have a pre-machined counter-bore on the drive key to accept Balluff BIS-C122-04/L RFID chips (10 X 4.5mm size)

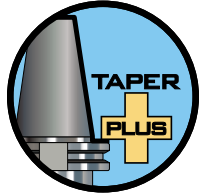
Taper Plus - CAT40 SK25-P

Part Number	Collet Series	Collet Range	Wrench	L	ℓ1	C	C1	Back Up Screw
NCAT40-SK25C-90UP	SK25	0.630 - 1.000"	GH25	3.543"	2.793"	2.165"	2.165"	SKG-28
NCAT40-SK25C-120UP	SK25	0.630 - 1.000"	GH25	4.724"	3.974"	2.165"	2.165"	SKG-28

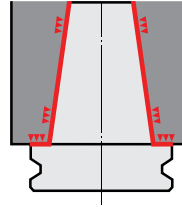


## Taper Plus CAT Slim Chuck Coolant High-Speed

### Taper Plus Advantages



- Outstanding runout accuracy for longer tool life
- Vibration dampening for increased productivity
- High rigidity for smooth and stable cutting
- Interchangeable between standard and dual face contact spindles
- 53% more surface area contact than just the taper alone



SK Collet Chucks

### Taper Plus - CAT50 SK6-P

Part Number	Collet Series	Collet Range	Wrench	L	ℓ1	C	C1	Back Up Screw
NCAT50-SK6C-105UP	SK6	0.028 - 0.236"	GH6	4.134"	2.362"	0.768"	2.750"	SKG6-6HG
NCAT50-SK6C-165UP	SK6	0.028 - 0.236"	GH6	6.496"	2.441"	0.768"	1.260"	SKG6-6HG

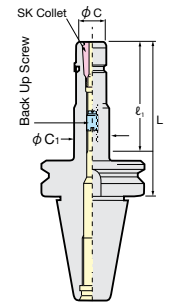
### Taper Plus - CAT50 SK10-P

Part Number	Collet Series	Collet Range	Wrench	L	ℓ1	C	C1	Back Up Screw
NCAT50-SK10C-105UP	SK10	0.069 - 0.394"	GH10	4.134"	2.756"	1.083"	2.750"	SKG10-10HG
NCAT50-SK10C-165UP	SK10	0.069 - 0.394"	GH10	6.496"	2.953"	1.083"	1.260"	SKG10-10HG



### Taper Plus - CAT50 SK16-P

Part Number	Collet Series	Collet Range	Wrench	L	ℓ1	C	C1	Back Up Screw
NCAT50-SK16C-105UP	SK16	0.108 - 0.630"	GH16	4.134"	2.756"	1.575"	2.750"	SKG-18L
NCAT50-SK16C-165UP	SK16	0.108 - 0.630"	GH16	6.496"	3.740"	1.575"	2.750"	SKG-18L



### Taper Plus - CAT50 SK25-P

Part Number	Collet Series	Collet Range	Wrench	L	ℓ1	C	C1	Back Up Screw
NCAT50-SK25C-105UP	SK25	0.630 - 1.000"	GH25	4.134"	3.384"	2.165"	2.165"	SKG-28
NCAT50-SK25C-165UP	SK25	0.630 - 1.000"	GH25	6.496"	5.746"	2.165"	2.165"	SKG-28



SK Collets  
Page 30



Wrench  
Page 36



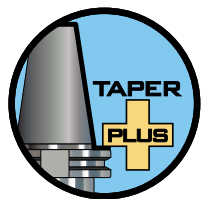
Back-up  
Screw  
Page 37



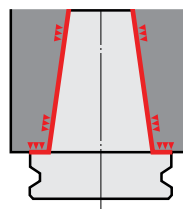
Coolant-thru  
Nut  
Page 35

Taper Plus BT Slim Chuck Coolant High-Speed

Taper Plus Advantages



- Outstanding runout accuracy for longer tool life
- Vibration dampening for increased productivity
- High rigidity for smooth and stable cutting
- Interchangeable between standard and dual face contact spindles
- 53% more surface area contact than just the taper alone

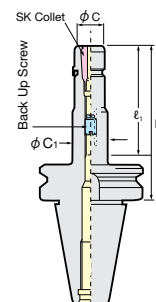


Taper Plus - BT30 SK6-P

Part Number	Collet Series	Collet Range	Wrench	L	ℓ1	C	C1	Back Up Screw
NBT30-SK6C-60P	SK6	0.028 - 0.236"	GH6	2.362"	1.299"	0.768"	0.768"	SKG6-6HG
NBT30-SK6C-90P	SK6	0.028 - 0.236"	GH6	3.543"	2.559"	0.768"	1.260"	SKG6-6HG
NBT30-SK6C-120P	SK6	0.028 - 0.236"	GH6	4.724"	3.839"	0.768"	1.260"	SKG6-6HG

Taper Plus - BT30 SK10-P

Part Number	Collet Series	Collet Range	Wrench	L	ℓ1	C	C1	Back Up Screw
NBT30-SK10C-45P	SK10	0.069 - 0.394"	GH10	1.772"	0.866"	1.083"	1.083"	SKG10-10HG
NBT30-SK10C-60P	SK10	0.069 - 0.394"	GH10	2.362"	1.378"	1.083"	1.083"	SKG10-10HG
NBT30-SK10C-75P	SK10	0.069 - 0.394"	GH10	2.953"	1.969"	1.083"	1.083"	SKG10-10HG
NBT30-SK10C-90P	SK10	0.069 - 0.394"	GH10	3.543"	2.559"	1.083"	1.083"	SKG10-10HG
NBT30-SK10C-120P	SK10	0.069 - 0.394"	GH10	4.724"	3.858"	1.083"	1.083"	SKG10-10HG



Taper Plus - BT30 SK16-P

Part Number	Collet Series	Collet Range	Wrench	L	ℓ1	C	C1	Back Up Screw
NBT30-SK16C-60P	SK16	0.108 - 0.630"	GH16	2.362"	1.457"	1.575"	1.575"	SKG16-12HGE
NBT30-SK16C-75P	SK16	0.108 - 0.630"	GH16	2.953"	2.047"	1.575"	1.575"	SKG16-10HG
NBT30-SK16C-90P	SK16	0.108 - 0.630"	GH16	3.543"	2.638"	1.575"	1.575"	SKG16-12HG
NBT30-SK16C-120P	SK16	0.108 - 0.630"	GH16	4.724"	3.831"	1.575"	1.575"	SKG16-12HG

Taper Plus - BT30 SK20-P

Part Number	Collet Series	Collet Range	Wrench	L	ℓ1	C	C1	Back Up Screw
NBT30-SK20C-75P	SK20	0.138 - 0.787"	GH20	2.953"	2.087	1.909"	1.909"	SKG20-12HGE
NBT30-SK20C-90P	SK20	0.138 - 0.787"	GH20	3.543"	2.677	1.909"	1.909"	SKG20-12HG

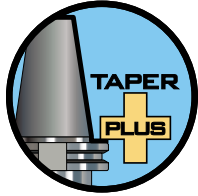
Taper Plus - BT30 SK25-P

Part Number	Collet Series	Collet Range	Wrench	L	ℓ1	C	C1	Back Up Screw
NBT30-SK25-90P	SK25	0.630 - 1.000"	GH25	3.543"	2.638"	2.165"	2.165"	SKG-12

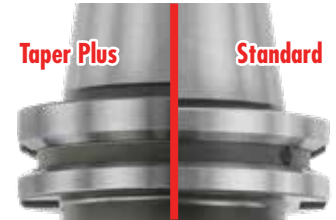
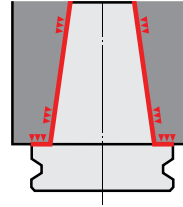


## Taper Plus BT Slim Chuck Coolant High-Speed

### Taper Plus Advantages



- Outstanding runout accuracy for longer tool life
- Vibration dampening for increased productivity
- High rigidity for smooth and stable cutting
- Interchangeable between standard and dual face contact spindles
- 53% more surface area contact than just the taper alone



SK Collet Chucks

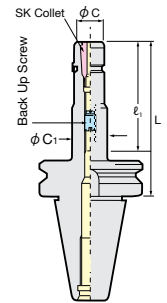
### Taper Plus - BT40 SK6-P

Part Number	Collet Series	Collet Range	Wrench	L	ℓ1	C	C1	Back Up Screw
NBT40-SK6C-60P	SK6	0.028 - 0.236"	GH6	2.362"	1.181"	0.768"	0.768"	SKG6-6HG
NBT40-SK6C-90P	SK6	0.028 - 0.236"	GH6	3.543"	2.362"	0.768"	1.260"	SKG6-6HG
NBT40-SK6C-120P	SK6	0.028 - 0.236"	GH6	4.724"	3.543"	0.768"	1.260"	SKG6-6HG
NBT40-SK6C-150P	SK6	0.028 - 0.236"	GH6	5.906"	5.236"	0.768"	0.984"	SKG6-6HG



### Taper Plus - BT40 SK10-P

Part Number	Collet Series	Collet Range	Wrench	L	ℓ1	C	C1	Back Up Screw
NBT40-SK10C-60P	SK10	0.069 - 0.394"	GH10	2.362"	1.260"	1.083"	1.083"	SKG10-10HG
NBT40-SK10C-75P	SK10	0.069 - 0.394"	GH10	2.953"	1.772"	1.083"	1.083"	SKG10-10HG
NBT40-SK10C-90P	SK10	0.069 - 0.394"	GH10	3.543"	2.362"	1.083"	1.575"	SKG10-10HG
NBT40-SK10C-120P	SK10	0.069 - 0.394"	GH10	4.724"	3.543"	1.083"	1.575"	SKG10-10HG
NBT40-SK10C-150P	SK10	0.069 - 0.394"	GH10	5.906"	4.646"	1.083"	1.358"	SKG10-10HG



### Taper Plus - BT40 SK16-P

Part Number	Collet Series	Collet Range	Wrench	L	ℓ1	C	C1	Back Up Screw
NBT40-SK16C-60P	SK16	0.108 - 0.630"	GH16	2.362"	1.260"	1.575"	1.575"	SKG16-10HG
NBT40-SK16C-75P	SK16	0.108 - 0.630"	GH16	2.953"	1.693"	1.575"	1.575"	SKG16-12HG
NBT40-SK16C-90P	SK16	0.108 - 0.630"	GH16	3.543"	2.283"	1.575"	1.575"	SKG16-12HG
NBT40-SK16C-120P	SK16	0.108 - 0.630"	GH16	4.724"	3.465"	1.575"	1.575"	SKG16-12HG
NBT40-SK16C-150P	SK16	0.108 - 0.630"	GH16	5.906"	4.646"	1.575"	1.575"	SKG16-12HG

### Taper Plus - BT40 SK25-P

Part Number	Collet Series	Collet Range	Wrench	L	ℓ1	C	C1	Back Up Screw
NBT40-SK25C-75P	SK25	0.630 - 1.000"	GH25	2.953"	1.850"	2.165"	2.165"	SKG25-18HG
NBT40-SK25C-90P	SK25	0.630 - 1.000"	GH25	3.543"	2.402"	2.165"	2.165"	SKG25-18HGD
NBT40-SK25C-120P	SK25	0.630 - 1.000"	GH25	4.724"	3.583"	2.165"	2.165"	SKG25-24HG



SK Collets  
Page 30



Wrench  
Page 36



Back-up  
Screw  
Page 37



Coolant-thru  
Nut  
Page 35

## SK6 Collets

### SK6 Collets

Size range: 0.7mm - 6.0mm (0.028 - 0.236")

#### Metric

Part Number	Collapse Range (mm)	Collapse Range (in)	Figure
SK6-0.8	0.7 - 0.8	0.027 - 0.031"	1
SK6-1	0.9 - 1.0	0.035 - 0.039"	1
SK6-1.25	1.15 - 1.25	0.045 - 0.049"	1
SK6-1.5	1.3 - 1.5	0.051 - 0.059"	1
SK6-1.75	1.5 - 1.75	0.059 - 0.068"	1
SK6-2	1.8 - 2.0	0.070 - 0.078"	1
SK6-2.25	2.05 - 2.25	0.080 - 0.088"	1
SK6-2.5	2.3 - 2.5	0.090 - 0.098"	1
SK6-2.75	2.55 - 2.75	0.100 - 0.108"	1
SK6-3	2.8 - 3.0	0.110 - 0.118"	1
SK6-3.5	3.0 - 3.5	0.118 - 0.137"	2
SK6-4	3.5 - 4.0	0.137 - 0.157"	2
SK6-4.5	4.0 - 4.5	0.157 - 0.177"	2
SK6-5	4.5 - 5.0	0.177 - 0.196"	2
SK6-5.5	5.0 - 5.5	0.196 - 0.216"	2
SK6-6	5.5 - 6.0	0.216 - 0.236"	2
SK6-SET-16-MM	16 Piece SK6 Collet Set - 0.7mm - 6.0mm		

#### Inch

Part Number	Size	Figure
SK6-1/8A	0.125"	1
SK6-3/16A	0.187"	1

These inch size collets do not collapse.

#### Dimensional Data

Collet Series	C1	L1	Collapse Range (D1)
SK6	0.394" (10mm)	0.969" (24.6mm)	0.027 - 0.236" (0.7 - 6.0mm)

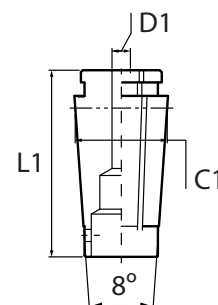


Figure 1

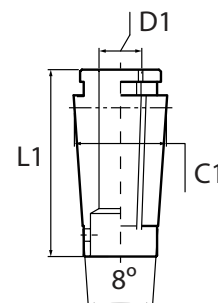


Figure 2

### SK6 Collet Rack



Part Number	Description
RACK-ER11/SK6	SK6 collet rack, 35 collets capacity

Note: SK Collet Drill Chart available on page 248 in the Technical section.





## SK10 Collets

### SK10 Collets

Size range: 1.75mm - 10.0mm (0.069 - 0.394")

#### Metric

Part Number	Collapse Range (mm)	Collapse Range (in)	Figure
SK10-2	1.75 - 2.0	0.068 - 0.078"	1
SK10-2.25	2.0 - 2.25	0.078 - 0.088"	1
SK10-2.5	2.25 - 2.5	0.088 - 0.098"	1
SK10-2.75	2.5 - 2.75	0.098 - 0.108"	1
SK10-3	2.75 - 3.0	0.108 - 0.118"	1
SK10-3.5	3.0 - 3.5	0.118 - 0.137"	1
SK10-4	3.5 - 4.0	0.137 - 0.157"	1
SK10-4.5	4.0 - 4.5	0.157 - 0.177"	1
SK10-5	4.5 - 5.0	0.177 - 0.196"	2
SK10-5.5	5.0 - 5.5	0.196 - 0.216"	2
SK10-6	5.5 - 6.0	0.216 - 0.236"	2
SK10-6.5	6.0 - 6.5	0.236 - 0.255"	2
SK10-7	6.5 - 7.0	0.255 - 0.275"	2
SK10-7.5	7.0 - 7.5	0.275 - 0.295"	2
SK10-8	7.5 - 8.0	0.295 - 0.314"	2
SK10-8.5	8.0 - 8.5	0.314 - 0.334"	2
SK10-9	8.5 - 9.0	0.334 - 0.354"	2
SK10-9.5	9.0 - 9.5	0.354 - 0.374"	2
SK10-10	9.5 - 10.0	0.374 - 0.394"	2
SK10-SET-19-MM	19 Piece SK10 Collet Set - 1.75mm - 10.0mm		

#### Metric - Coolant-Thru

Up to 1000 psi capable.

Part Number	Size	Figure
SK10-3AC	3mm	2
SK10-4AC	4mm	2
SK10-5AC	5mm	2
SK10-6AC	6mm	2
SK10-7AC	7mm	2
SK10-8AC	8mm	2
SK10-9AC	9mm	2
SK10-10AC	10mm	2
SK10-SET-08-AC-MM	8 Piece SK10 Coolant Collet Set - 3.0mm - 10.0mm	

*Note:*  
Cutter must be inserted to the full length of the collet.

#### Inch

Part Number	Size	Figure
SK10-1/8A	0.125"	1
SK10-3/16A	0.187"	1
SK10-1/4A	0.250"	1
SK10-5/16A	0.312"	1
SK10-3/8A	0.375"	1
SK10-SET-05-A	5 Piece SK10 Collet Set - 1/8 - 3/8" x16th	

These inch size collets do not collapse.

#### Dimensional Data

Collet Series	C1	L1	Collapse Range (D1)
SK10	0.591" (15mm)	1.201" (30.5mm)	0.069 - 0.394" (1.75 - 10.0mm)

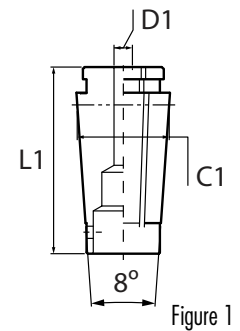


Figure 1

#### Inch - Coolant-Thru

Up to 1000 psi capable.

Part Number	Size	Figure
SK10-1/8AC	0.125"	2
SK10-3/16AC	0.187"	2
SK10-1/4AC	0.250"	2
SK10-5/16AC	0.312"	2
SK10-3/8AC	0.375"	2

*Note:* AC-type collets are mechanically sealing and can handle coolant through the tool up to 1000 psi. No additional coolant disk or nut is required when using these collets.

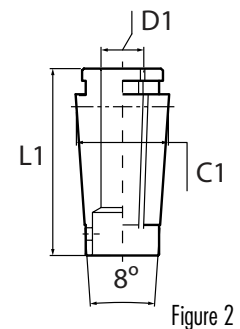


Figure 2

### SK10 Collet Rack



Part Number	Description
RACK-ER16/SK10	SK10 collet rack, 24 collets capacity

*Note:* SK Collet Drill Chart available on page 248 in the Technical section.



SK Collets  
Page 30



Wrench  
Page 36



Back-up  
Screw  
Page 37



Coolant-thru  
Nut  
Page 35

## SK16 Collets

### SK16 Collets

Size range: 2.75mm - 16.0mm (0.108 - 0.630")

#### Metric

Part Number	Collapse Range (mm)	Collapse Range (in)	Figure
SK16-3	2.75 - 3.0	0.108 - 0.118"	1
SK16-3.5	3.0 - 3.5	0.118 - 0.137"	1
SK16-4	3.5 - 4.0	0.137 - 0.157"	1
SK16-4.5	4.0 - 4.5	0.157 - 0.177"	1
SK16-5	4.5 - 5.0	0.177 - 0.196"	1
SK16-5.5	5.0 - 5.5	0.196 - 0.216"	1
SK16-6	5.5 - 6.0	0.216 - 0.236"	1
SK16-6.5	6.0 - 6.5	0.236 - 0.255"	1
SK16-7	6.5 - 7.0	0.255 - 0.275"	1
SK16-7.5	7.0 - 7.5	0.275 - 0.295"	1
SK16-8	7.5 - 8.0	0.295 - 0.314"	1
SK16-8.5	8.0 - 8.5	0.314 - 0.334"	1
SK16-9	8.5 - 9.0	0.334 - 0.354"	1
SK16-9.5	9.0 - 9.5	0.354 - 0.374"	1
SK16-10	9.5 - 10.0	0.374 - 0.394"	1
SK16-10.5	10.0 - 10.5	0.394 - 0.413"	2
SK16-11	10.5 - 11.0	0.413 - 0.433"	2
SK16-11.5	11.0 - 11.5	0.433 - 0.452"	2
SK16-12	11.5 - 12.0	0.452 - 0.472"	2
SK16-12.5	12.0 - 12.5	0.472 - 0.492"	2
SK16-13	12.5 - 13.0	0.492 - 0.511"	2
SK16-13.5	13.0 - 13.5	0.511 - 0.531"	2
SK16-14	13.5 - 14.0	0.531 - 0.551"	2
SK16-14.5	14.0 - 14.5	0.551 - 0.570"	2
SK16-15	14.5 - 15.0	0.570 - 0.590"	2
SK16-15.5	15.0 - 15.5	0.590 - 0.610"	2
SK16-16	15.5 - 16.0	0.610 - 0.630"	2
SK16-SET-27-MM	27 Piece SK16 Collet Set - 2.75mm - 16.0mm		

#### Inch

Part Number	Size	Figure
SK16-1/8A	0.125"	1
SK16-3/16A	0.187"	1
SK16-1/4A	0.250"	1
SK16-5/16A	0.312"	1
SK16-3/8A	0.375"	1
SK16-7/16A	0.437"	1
SK16-1/2A	0.500"	1
SK16-9/16A	0.562"	1
SK16-5/8A	0.625"	1
SK16-SET-09-A	9 Piece SK16 Collet Set - 1/8 - 5/8" X16th	

These inch size collets do not collapse.

#### Dimensional Data

Collet Series	C1	L1	Collapse Range (D1)
SK16	0.945" (24mm)	1.772" (45mm)	0.108 - 0.630" (2.75 - 16.0mm)

#### Metric - Coolant-Thru

Up to 1000 psi capable.

Part Number	Size	Figure
SK16-6AC	6mm	2
SK16-7AC	7mm	2
SK16-8AC	8mm	2
SK16-9AC	9mm	2
SK16-10AC	10mm	2
SK16-11AC	11mm	2
SK16-12AC	12mm	2
SK16-14AC	14mm	2
SK16-16AC	16mm	2

Note:  
Cutter must be inserted to the full length of the collet.

#### Inch - Coolant-Thru

Up to 1000 psi capable.

Part Number	Size	Figure
SK16-7/16AC	0.437"	2
SK16-1/2AC	0.500"	2
SK16-9/16AC	0.562"	2
SK16-5/8AC	0.625"	2

Note: AC-type collets are mechanically sealing and can handle coolant through the tool up to 1000 psi. No additional coolant disk or nut is required when using these collets.

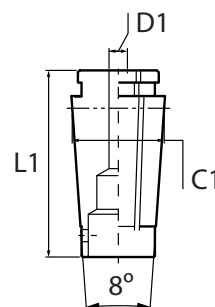


Figure 1

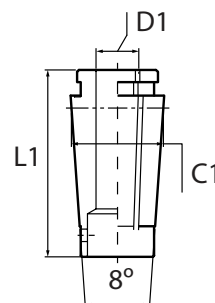


Figure 2

### SK16 Collet Rack



Part Number	Description
RACK-180DA/SK16/ER25	SK16 collet rack, 30 collets capacity

Note: SK Collet Drill Chart available on page 248 in the Technical section.



## SK20 Collets

### SK20 Collets

Size range: 3.5mm - 20.00mm (0.138 - 0.787")

#### Metric

Part Number	Collapse Range (mm)	Collapse Range (in)
SK20-4	3.5 - 4.0	0.137 - 0.157"
SK20-4.5	4.0 - 4.5	0.157 - 0.177"
SK20-5	4.5 - 5.0	0.177 - 0.196"
SK20-5.5	5.0 - 5.5	0.196 - 0.216"
SK20-6	5.5 - 6.0	0.216 - 0.236"
SK20-6.5	6.0 - 6.5	0.236 - 0.255"
SK20-7	6.5 - 7.0	0.255 - 0.275"
SK20-7.5	7.0 - 7.5	0.275 - 0.295"
SK20-8	7.5 - 8.0	0.295 - 0.314"
SK20-8.5	8.0 - 8.5	0.314 - 0.334"
SK20-9	8.5 - 9.0	0.334 - 0.354"
SK20-9.5	9.0 - 9.5	0.354 - 0.374"
SK20-10	9.5 - 10.0	0.374 - 0.394"
SK20-10.5	10.0 - 10.5	0.394 - 0.413"
SK20-11	10.5 - 11.0	0.413 - 0.433"
SK20-11.5	11.0 - 11.5	0.433 - 0.452"
SK20-12	11.5 - 12.0	0.452 - 0.472"
SK20-12.5	12.0 - 12.5	0.472 - 0.492"
SK20-13	12.5 - 13.0	0.492 - 0.511"
SK20-13.5	13.0 - 13.5	0.511 - 0.531"
SK20-14	13.5 - 14.0	0.531 - 0.551"
SK20-14.5	14.0 - 14.5	0.551 - 0.570"
SK20-15	14.5 - 15.0	0.570 - 0.590"
SK20-15.5	15.0 - 15.5	0.590 - 0.610"
SK20-16	15.5 - 16.0	0.610 - 0.630"
SK20-16.5	16.0 - 16.5	0.630 - 0.649"
SK20-17	16.5 - 17.0	0.649 - 0.669"
SK20-17.5	17.0 - 17.5	0.669 - 0.688"
SK20-18	17.5 - 18.0	0.688 - 0.708"
SK20-18.5	18.0 - 18.5	0.708 - 0.728"
SK20-19	18.5 - 19.0	0.728 - 0.748"
SK20-19.5	19.0 - 19.5	0.748 - 0.767"
SK20-20	19.5 - 20.0	0.767 - 0.787"

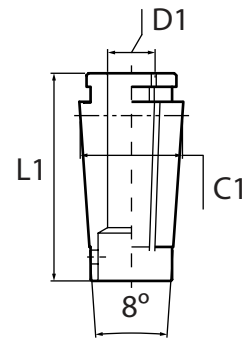
#### Inch

Part Number	Size
SK20-1/8A	0.125"
SK20-3/16A	0.187"
SK20-1/4A	0.250"
SK20-5/16A	0.312"
SK20-3/8A	0.375"
SK20-7/16A	0.437"
SK20-1/2A	0.500"
SK20-9/16A	0.562"
SK20-5/8A	0.625"
SK20-3/4A	0.750"

These inch size collets do not collapse.

#### Dimensional Data

Collet Series	C1	L1	Collapse Range (D1)
SK20	1.142" (29mm)	2.126" (54mm)	0.137 - 0.787" (3.5 - 20.0mm)



SK Collet Chucks

### Metric - Coolant-Thru

Up to 1000 psi capable.

Part Number	Size	Note:
SK20-12AC	12mm	Cutter must be inserted to the full length of the collet.
SK20-16AC	16mm	
SK20-18AC	18mm	
SK20-20AC	20mm	

### Inch - Coolant-Thru

Up to 1000 psi capable.

Part Number	Size	Note:
SK20-7/16AC	0.437"	AC-type collets are mechanically sealing and can handle coolant through the tool up to 1000 psi. No additional coolant disk or nut is required when using these collets.
SK20-1/2AC	0.500"	
SK20-9/16AC	0.562"	
SK20-5/8AC	0.625"	
SK20-3/4AC	0.750"	

Note: SK Collet Drill Chart available on page 248 in the Technical section.



SK Collets  
Page 30



Wrench  
Page 36



Back-up  
Screw  
Page 37



Coolant-thru  
Nut  
Page 35

## SK25 Collets

### SK25 Collets

Size range: 16.0mm - 25.4mm (0.630 - 1.000")

#### Metric

Part Number	Collapse Range (mm)	Collapse Range (in)
SK25-16.5	16.0 - 16.5	0.630 - 0.649"
SK25-17	16.5 - 17.0	0.649 - 0.669"
SK25-17.5	17.0 - 17.5	0.669 - 0.688"
SK25-18	17.5 - 18.0	0.688 - 0.708"
SK25-18.5	18.0 - 18.5	0.708 - 0.728"
SK25-19	18.5 - 19.0	0.728 - 0.748"
SK25-19.5	19.0 - 19.5	0.748 - 0.767"
SK25-20	19.5 - 20.0	0.767 - 0.787"
SK25-20.5	20.0 - 20.5	0.787 - 0.807"
SK25-21	20.5 - 21.0	0.807 - 0.826"
SK25-21.5	21.0 - 21.5	0.826 - 0.846"
SK25-22	21.5 - 22.0	0.846 - 0.866"
SK25-22.5	22.0 - 22.5	0.866 - 0.885"
SK25-23	22.5 - 23.0	0.885 - 0.905"
SK25-23.5	23.0 - 23.5	0.905 - 0.925"
SK25-24	23.5 - 24.0	0.925 - 0.944"
SK25-24.5	24.0 - 24.5	0.944 - 0.964"
SK25-25	24.5 - 25.0	0.964 - 0.984"
SK25-25.4	25.0 - 25.4	0.984 - 1.000"
SK25-SET-19-MM	19 Piece SK25 Collet Set - 16.0mm - 25.4mm	

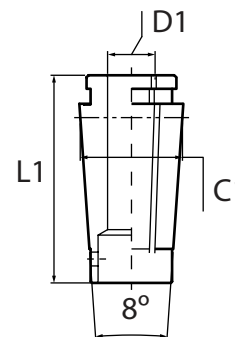
#### Inch

Part Number	Size
SK25-3/16A	0.187"
SK25-1/4A	0.250"
SK25-5/16A	0.312"
SK25-3/8A	0.375"
SK25-7/16A	0.437"
SK25-1/2A	0.500"
SK25-5/8A	0.625"
SK25-3/4A	0.750"
SK25-SET-08-A	8 Piece SK25 Collet Set - 3/16 - 3/4" X16th

These inch size collets do not collapse.

#### Dimensional Data

Collet Series	C1	L1	Collapse Range (D1)
SK25	1.378" (35mm)	2.244" (57mm)	0.630 - 1.000" (16.0 - 25.4mm)



### Metric - Coolant-Thru

Up to 1000 psi capable.

Part Number	Size	Note:
SK25-20AC	20mm	Cutter must be inserted to the full length of the collet.
SK25-25AC	25mm	

### Inch - Coolant-Thru

Up to 1000 psi capable.

Part Number	Size	Note:
SK25-3/4AC	0.750"	AC-type collets are mechanically sealing and can handle coolant through the tool up to 1000 psi. No additional coolant disk or nut is required when using these collets.
SK25-7/8AC	0.875"	

### SK25 Collet Rack



Part Number	Description
RACK-5C/100TG/SK25	SK25 collet rack, 30 pieces capacity

Note: SK Collet Drill Chart available on page 248 in the Technical section.



## SK Coolant Collet System

Collet Chuck	Collet Series	Coolant Nut Part Number	High-Speed Coolant Nut Part Number	Cutting Tool Size	Coolant-Thru Disk Part Number	Slotted Disk Part Number	Disk Wrench Part Number	Blank Disk (machinable) Part Number		
SK6	SK6 range: 0.7 - 6mm [0.027 - 0.236"]	SKN-6WBJ	SKN-6WBJ (GH)	3mm	SKJ6-3C	SKJ6-3	SKJL-6	SKJ6-BLANK		
				4mm	SKJ6-4C	SKJ6-4				
				5mm	SKJ6-5C	SKJ6-5				
				6mm	SKJ6-6C	SKJ6-6				
				1/8"	SKJ6-1/8C	SKJ6-1/8				
				3/16"	SKJ6-3/16C	SKJ6-3/16				
				3mm	SKJ10-3C	SKJ10-3			SKJL-10	SKJ10-BLANK
4mm	SKJ10-4C	SKJ10-4								
5mm	SKJ10-5C	SKJ10-5								
6mm	SKJ10-6C	SKJ10-6								
8mm	SKJ10-8C	SKJ10-8								
10mm	SKJ10-10C	SKJ10-10								
1/8"	SKJ10-1/8C	SKJ10-1/8								
3/16"	SKJ10-3/16C	SKJ10-3/16								
1/4"	SKJ10-1/4C	SKJ10-1/4								
5/16"	SKJ10-5/16C	SKJ10-5/16								
3/8"	SKJ10-3/8C	SKJ10-3/8								
SK16	SK16 range: 2.75 - 16mm [0.108 - 0.630"]	SKN-16BJ	SKN-16BJ (GH)	6mm	SKJ16-6C	SKJ16-6	SKJL-16	SKJ16-BLANK		
				8mm	SKJ16-8C	SKJ16-8				
				10mm	SKJ16-10C	SKJ16-10				
				12mm	SKJ16-12C	SKJ16-12				
				16mm	SKJ16-16C	SKJ16-16				
				1/4"	SKJ16-1/4C	SKJ16-1/4				
				5/16"	SKJ16-5/16C	SKJ16-5/16				
				3/8"	SKJ16-3/8C	SKJ16-3/8				
				7/16"	SKJ16-7/16C	SKJ16-7/16				
				1/2"	SKJ16-1/2C	SKJ16-1/2				
				9/16"	SKJ16-9/16C	SKJ16-9/16				
				5/8"	SKJ16-5/8C	SKJ16-5/8				
				8mm	SKJ25-8C	SKJ25-8			SKJL-25	SKJ25-BLANK
				10mm	SKJ25-10C	SKJ25-10				
16mm	SKJ25-16C	SKJ25-16								
17.5mm	SKJ25-17.5C	SKJ25-17.5								
18mm	SKJ25-18C	SKJ25-18								
20mm	SKJ25-20C	SKJ25-20								
25mm	SKJ25-25C	SKJ25-25								
3/16"	SKJ25-3/16C	SKJ25-3/16								
1/4"	SKJ25-1/4C	SKJ25-1/4								
5/16"	SKJ25-5/16C	SKJ25-5/16								
3/8"	SKJ25-3/8C	SKJ25-3/8								
7/16"	SKJ25-7/16C	SKJ25-7/16								
1/2"	SKJ25-1/2C	SKJ25-1/2								
5/8"	SKJ25-5/8C	SKJ25-5/8								
SK25	SK25 range: 16.0 - 25.4mm [0.630 - 1.000"]	SKN-25BJ	SKN-25BJ (GH)	11/16"	SKJ25-11/16C	SKJ25-11/16	SKJL-25	SKJ25-BLANK		
				3/4"	SKJ25-3/4C	SKJ25-3/4				
				13/16"	SKJ25-13/16C	SKJ25-13/16				
				7/8"	SKJ25-7/8C	SKJ25-7/8				
				15/16"	SKJ25-15/16C	SKJ25-15/16				
				1"	SKJ25-1C	SKJ25-1				

## SK Collet Chuck Accessories

### SK Collet Extractor

Part Number	Description
SKR-6	SK6 Collet Extractor
SKR-10	SK10 Collet Extractor
SKR-16	SK16 Collet Extractor
SKR-20	SK20 Collet Extractor
SKR-25	SK25 Collet Extractor



### Replacement Nut for SK Collet Chuck Standard Style

Part Number	Description
SKN-6WB	Nut for SK6 Collet Chuck
SKN-10B	Nut for SK10 Collet Chuck
SKN-16B	Nut for SK16 Collet Chuck
SKN-20B	Nut for SK20 Collet Chuck
SKN-25B	Nut for SK25 Collet Chuck



### High-Speed Style

Part Number	Description
SKN-6WB (GH)	Nut for SK6 High-Speed Collet Chuck
SKN-10B (GH)	Nut for SK10 High-Speed Collet Chuck
SKN-16B (GH)	Nut for SK16 High-Speed Collet Chuck
SKN-20B (GH)	Nut for SK20 High-Speed Collet Chuck
SKN-25B (GH)	Nut for SK25 High-Speed Collet Chuck



### Wrench for SK Collet Chuck

Standard Style Part Number	High-Speed Style Part Number	Description
SKL-6W	GH6	Wrench for SK6 Collet Chuck
SKL-10	GH10	Wrench for SK10 Collet Chuck
9HC16	GH16	Wrench for SK16 Collet Chuck
9HC22	GH20	Wrench for SK20 Collet Chuck
9HC22	GH25	Wrench for SK25 Collet Chuck



### Torque Wrench and Attachment for SK Collet Chuck

Part Number	Description
TQW-025	Torque wrench for SK6 Collet Chuck Nut
TQW-150	Torque wrench for SK10/16/20/25 Collet Chuck Nut
TQW-SK06(18)	SK6 attachment for TQW-025 torque wrench
TQW-SK10(1)	SK10 attachment for TQW-150 torque wrench
TQW-SK16(43)	SK16 attachment for TQW-150 torque wrench
TQW-ER32/SK20(50)	SK20 attachment for TQW-150 torque wrench
TQW-SK25(60)	SK25 attachment for TQW-150 torque wrench



## Back Up Screws

### Standard SK Collet Chuck

Figure 1

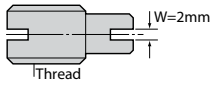
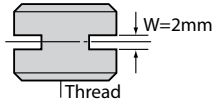


Figure 2



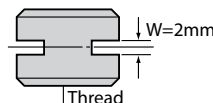
Collet Chuck	Part Number	Thread	Figure
SK6	SKG-8	M8	1
SK10	SKG-12L	M12	1
SK16	SKG-18L	M12/M18 P1.5	1
SK20	SKG-22	M12/M28 P2.0	1
SK25	SKG-28	M12/M28 P2.0	1

#### \*Exceptions

Collet Chuck	Part Number	Thread	Figure
BT30-SK10-45	SKG-12S	M12	2
BT30-SK16-90	SKG-12S	M12/M18 P1.5	2
BT30-SK16-60	SKG-12L	M12/M18 P1.5	1
BT40-SK16-60	SKG-18S	M12/M18 P1.5	2
BT30-SK20-60	SKG-12S	M12/M18 P1.5	2
BT30-SK20-90	SKG-12	M12/M28 P2.0	2
BT30-SK25-90	SKG-12	M12/M28 P2.0	2
BT40-SK25-75			

### Coolant-Thru Back-Up Screw

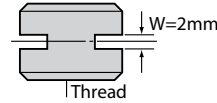
Collet Chuck	Part Number	Cutter Shank	d	Thread
SK10	SKG-12HA	4mm	ø2.5mm	M12
	SKG-12H	6mm	ø4mm	
SK16	SKG-18HA	5mm	ø3.5mm	M12/M18 P1.5
	SKG-18H	10mm	ø10mm	
SK25	SKG-28H	16mm	ø12mm	M12/M28 P2.0



#### \*Exceptions

Collet Chuck	Part Number	Cutter Shank	d	Thread
BT30-SK16-60, -90	SKG-12HA	4mm	ø2.5mm	M12/M18 P1.5
	SKG-12H	6mm	ø4mm	
BT30-SK25-90	SKG-12HA	4mm	ø2.5mm	M12/M28 P2.0
BT40-SK25-75	SKG-12H	6mm	ø4mm	M12/M28 P2.0

### DIN and Coolant-Thru SK Collet Chuck



Collet Chuck	Part Number	Cutter Shank	Thread
SK6-...C, ...F	SKG6-6HG	4mm	M8
SK10-...C, ...F	SKG10-10HGA	4mm	M12
	SKG10-10HG	6mm	
SK16-...C, ...F	SKG16-12HGA	5mm	M12/M18 P1.5
	SKG16-12HG	10mm	
SK25-...C, ...F	SKG25-24HG	16mm	M12/M28 P2.0

#### \*Exceptions

Collet Chuck	Part Number	Cutter Shank	Thread
BT40-SK16F-90	SKG16-12HGBA	5mm	M12/M18 P1.5
	SKG16-12GB	10mm	
HSK50A-SK16C-120	SKG16-10HGA	5mm	M12/M18 P1.5
HSK63A-SK16C-120			
HSK100A-SK16C-120			
NC5-46-SK16C-90	SKG16-10HG	10mm	M12/M18 P1.5
NC5-46-SK16C-120			
BT40-SK25F-120	SKG25-24HGA	16mm	M12/M28 P2.0
BT50-SK25F-105			
BT40-SK25F-90	SKG25-18HGC	16mm	M12/M28 P2.0
BT40-SK25C-90	SKG25-18HGD		
NC5-63-SK25C-135	SKG25-18HGE	16mm	M12/M28 P2.0
NC5-85-SK25C-135			
HSK63A-SK25C-135			
HSK100A-SK25C-145	SKG25-18HGE	16mm	M12/M28 P2.0

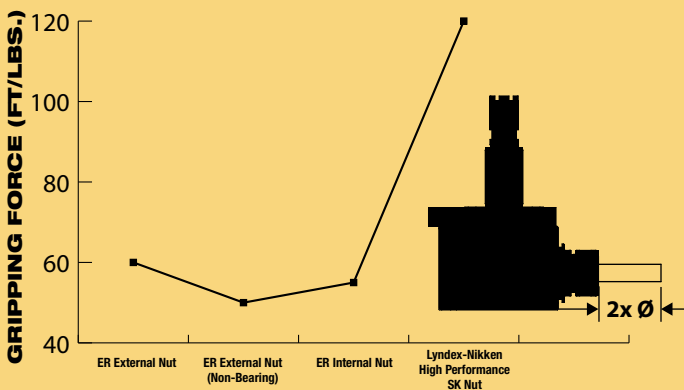
**ARE YOU GETTING THE MOST OUT OF YOUR  
 CNC TURNING CENTER?**



**I.C.E. (Internal Coolant + External Option) Live Tooling**

- I.C.E. Live Tools are designed to be run with or without coolant through the live tool, allowing them to be run dry.
- Can be used in a variety of applications without changing out tooling.
- 3 different coolant setups depending on application: No coolant, coolant through nozzle, coolant through spindle.
- Easy to change between coolant setups allowing for minimal downtime.

Tightening Torque: 70 ft.-lbs. • Collet Size: ER 32 • Pin: 1/2" Solid Carbide



**BENEFITS OF HIGHER GRIPPING FORCE**

- Machine with higher chip load and reduce cycle time
- Reduction in end mill pulling reduces scrapping parts
- Eliminate over tightening that can lead to collet damage and excessive run-out
- Better overall cutting condition

See the **POWER** of SK on YouTube  
 @LyndexNikkenMedia or scan the QR codes:  
 SK performance on a lathe & SK performance on a mill



Phone: (847) 367-4800



Email: sales@lyndexnikken.com



www.lyndexnikken.com

Connect with us on our social media channels!







**ER Collet Chuck Features**

ER Collet Chucks

**LYNDEX-NIKKEN**

**AT3 or better taper tolerance.**

- All 40 taper tool angles are manufactured within +/- .0011 degrees angular tolerance
- Largest diameter of taper (where rigidity is established) is held within +/- 80 millionths (.00008")
- Precision ground taper ensures 80% or better taper contact

Drive key depth balanced for high speed rotation.

Body of Collet Chuck equal in diameter to the nut diameter. Thicker diameter and wall thickness results in stronger rigidity.

Reduced gap size to prevent bird nests and other stringy chips from packing in or wrapping about.

**ER Nut**

Smooth nut prevents coolant flare and provides better balance.

**Nickel Chrome Molybdenum Alloy**



Lyndex-Nikken toolholders are heat treated in house to a hardness between 55 to 58 Rc under the highest quality standard, ensuring a homogeneous martensite (needle-shaped) crystalline structure. The additional heat treatment process allows for a better ground surface finish and stress stability of the toolholder.

**OTHER**

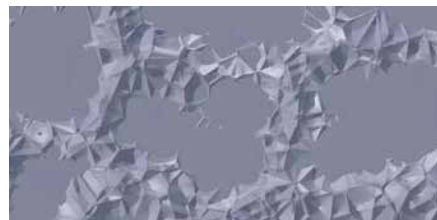
**AT4 taper tolerance.**

- All 40 taper tool angles are manufactured within +/- .0018 degrees angular tolerance
- Largest diameter of taper (where rigidity is established) varies within +/- 138 millionths (.00014")
- Varying aspects of taper angle and diameter can only ensure up to 60% taper contact

Recessed collet chuck body diameter weakens rigidity of holder.

Large Hex nut body design flares coolant away from toolholder.

**High Carbon Steel**



Other toolholders are commonly not heat treated thoroughly in order to reduce production costs, resulting in austenite deposits. Surface finish and material integrity are commonly compromised masked by chrome plating or polishing.

## ER Collet Features

We offer the largest ER Collet product range in the industry.

### Quality Standard

Made to DIN 6499 Specification

### Material

High Tensile Chromium Molybdenum Alloy provides greater hardness and less material deformation compared to traditional spring steel collets

### Accuracy

≤0.0001" at cavity bore (collet seating area)

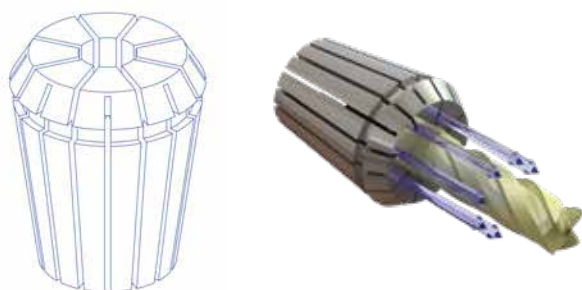
### Inspection

100% collet inspection, checked 3 times for concentricity

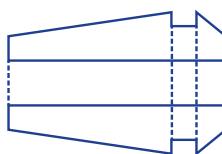


ER Collet Chucks

### ER Collet



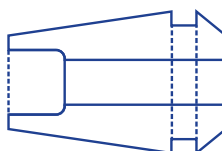
### ER Standard Type Collet



#### Flexibility and Durability:

We offer the ultimate trifecta: wide clamping range, ultra precision, and super high pressure. Our 1300 psi capable collets have a wide 0.031" collapse range and the ability to maintain less than 0.0001" run out at the collet nose.

### ER Counter-Bored Type Collet



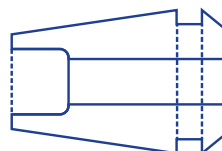
#### Ultra Precision for Micro Cutters:

Our high precision "On Size" collets have 25% longer collet bore lengths than competitors, resulting in stronger gripping power at higher RPMs. The high-pressure coolant collet's special design reduces cutter vibration due to high pressure.

### ER Coolant Collet



### High Precision ER Tap Collet

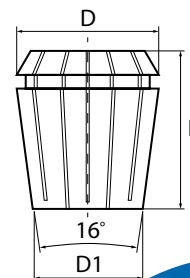


#### Extreme rigidity, high pressure performance:

Our Tap Collets are designed for all ANSI, DIN, ISO, and JIS Specification Taps. 1300 psi capable Coolant Tap Collets increase tool life by dissipating heat and preventing chip build-up.

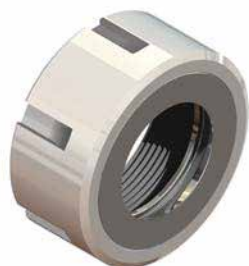
### ER Collet Dimensional Data

Style	D	D1	L	Collet Range	Coolant Collet Size Range
ER8	0.330"	0.216"	0.535"	0.019 - 0.196"	N/A
ER11	0.460"	0.307"	0.709"	0.019 - 0.275"	0.157 - 0.275"
ER16	0.677"	0.445"	1.063"	0.019 - 0.393"	0.157 - 0.393"
ER20	0.835"	0.571"	1.220"	0.039 - 0.511"	0.196 - 0.511"
ER25	1.031"	0.728"	1.378"	0.039 - 0.629"	0.236 - 0.629"
ER32	1.307"	0.960"	1.575"	0.078 - 0.787"	0.393 - 0.787"
ER40	1.622"	1.228"	1.811"	0.118 - 1.023"	0.393 - 1.023"



## Nut Features

### LYNDEX-NIKKEN NUT



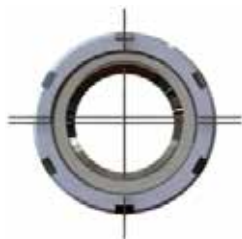
#### Bearing Nut



Bearing nuts come as a standard on all of our ER Collet Chucks:

- Reduce twisting of the collet and increase T.I.R. accuracy.
- Improve chucking consistency by 6 times compared to non bearing style nut!

#### Maximum Accuracy



We control all of our manufacturing processes, thereby maintaining the assembly accuracy tolerances between the nut, collet, and holder.

Our ground eccentric bearing race makes set up extremely easy, and ensures the accurate concentric placement of the collet.

#### Ground Eccentric Nut



Our ground eccentric bearing race increases clamping power by 100% compared to standard nuts!

It also prevents galling and twisting between the collet angle contact surface and the nut to minimize runout and greatly assist in alignment of the collet to the holder.

### OTHER NUT



#### Standard Nut - No Bearing



Non bearing style nuts only provide the ability to retain the collet, and do not carry a functional advantage to improve the T.I.R. or chucking consistency.



Other manufacturers use a commercial snap ring as a retainer for the collet. This can contribute to minor misalignment between the nut, collet, and holder.

#### No Ground Surface



ER Collet without ground contact locations cannot ensure ultra precision due to surface abnormality.

## CAT ER Collet Chucks



**T.I.R.:** ≤ 0.0001" run out at cavity bore



**Speed:** up to 23,000 RPM



**Set-up:** quick and easy



**Coolant-Thru:** thru-tool coolant



Drilling



Milling



Tapping



Reaming

- Ball bearing nut with ground collet race
- AT3 or better taper
- Equipped with a left-hand-threaded stop screw

Please note that the maximum RPM listed in our catalog may vary depending on the toolholder shank, weight, balanceability and the G rating.

### CAT40

Part Number	Style	Collet Size	Collet Range	Nut Wrench	L	L1	D
C4007-0008-2.50	Standard	ER8	0.019 - 0.275"	08-NASPAN	2.50"	0.69"	0.47"
C4017-0008-4.00	Standard	ER8	0.019 - 0.275"	08-NASPAN	4.00"	0.69"	0.47"
C4047-0008-9.00*	Ext. Length	ER8	0.019 - 0.275"	08-NASPAN	9.00"	0.69"	0.47"
C4007-0011-2.50	Standard	ER11	0.019 - 0.275"	011-HEX	2.50"	0.89"	0.75"
C4017-0011-4.00	Standard	ER11	0.019 - 0.275"	011-HEX	4.00"	0.89"	0.75"
C4027-0011-6.00	Standard	ER11	0.019 - 0.275"	011-HEX	6.00"	0.89"	0.75"
C40S7-0016-2.25	Stubby	ER16	0.019 - 0.406"	016-SPAN	2.25"	1.26"	1.26"
C4007-0016-3.50	Standard	ER16	0.019 - 0.406"	016-SPAN	3.50"	1.26"	1.26"
C4017-0016-6.00	Standard	ER16	0.019 - 0.406"	016-SPAN	6.00"	1.26"	1.26"
C4047-0016-9.00*	Ext. Length	ER16	0.019 - 0.406"	016-SPAN	9.00"	1.26"	1.26"
C4007-0020-2.50	Standard	ER20	0.039 - 0.511"	020-SPAN	2.50"	1.50"	1.38"
C4017-0020-4.00	Standard	ER20	0.039 - 0.511"	020-SPAN	4.00"	1.50"	1.38"
C4027-0020-6.00	Standard	ER20	0.039 - 0.511"	020-SPAN	6.00"	1.50"	1.38"
C4047-0020-9.00*	Ext. Length	ER20	0.039 - 0.511"	020-SPAN	9.00"	1.50"	1.38"
C4007-0025-2.50	Standard	ER25	0.039 - 0.629"	025-SPAN	2.50"	1.67"	1.65"
C4017-0025-4.00	Standard	ER25	0.039 - 0.629"	025-SPAN	4.00"	1.67"	1.65"
C4027-0025-6.00	Standard	ER25	0.039 - 0.629"	025-SPAN	6.00"	1.67"	1.65"
C40S7-0032-1.10	Stubby	ER32	0.078 - 0.787"	025-SPAN	1.10"	2.24"	1.57"
C4007-0032-3.13	Standard	ER32	0.078 - 0.787"	032-SPAN	3.13"	1.84"	1.97"
C4017-0032-5.00	Standard	ER32	0.078 - 0.787"	032-SPAN	5.00"	1.84"	1.97"
C4047-0032-9.00*	Ext. Length	ER32	0.078 - 0.787"	032-SPAN	9.00"	1.84"	1.97"
C4007-0040-3.13	Standard	ER40	0.118 - 1.023"	040-SPAN	3.13"	2.07"	2.48"
C4017-0040-5.00	Standard	ER40	0.118 - 1.023"	040-SPAN	5.00"	2.07"	2.48"

#### Notes:

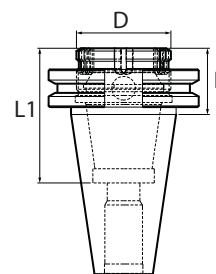
- Back-up Screw included with ER Collet Chuck.
- \*For Extended Length holders, "L" dimension has tapered length. To confirm clearance, please download model/drawing from our website.



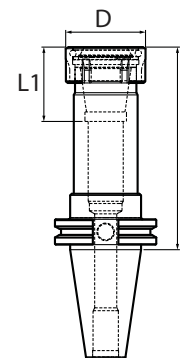
Available in **TAPER PLUS** Dual-taper and flange contact

When removing the back-up screw, ER Collet Chucks have coolant-thru capabilities. No disc, special nut or wrench required!

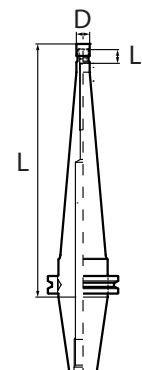
See ER coolant Collets on pages 52-59



**Stubby**



**Standard**



**Extended**



ER Collets  
Pages 52-59



ER Torque Wrench  
Page 61



ER Back Up Screw  
Page 61



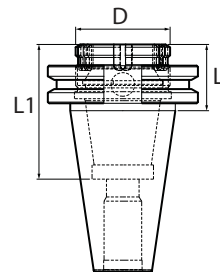
ER Nut  
Page 60

**CAT ER Collet Chucks**

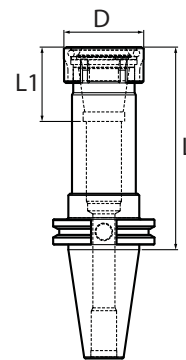
ER Collet Chucks

**CAT50**

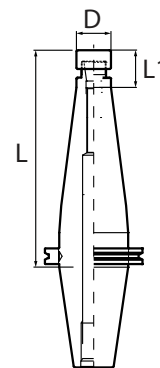
Part Number	Style	Collet Size	Collet Range	Nut Wrench	L	L1	D
C5007-0016-4.12	Standard	ER16	0.019 - 0.406"	016-SPAN	4.12"	1.26"	1.26"
C5017-0016-6.00	Standard	ER16	0.019 - 0.406"	016-SPAN	6.00"	1.26"	1.26"
C5027-0016-8.00*	Ext. Length	ER16	0.019 - 0.406"	016-SPAN	8.00"	1.26"	1.26"
C5057-0016-12.00*	Ext. Length	ER16	0.019 - 0.406"	016-SPAN	12.00"	1.26"	1.26"
C5007-0020-2.50	Standard	ER20	0.039 - 0.511"	020-SPAN	2.50"	1.50"	1.38"
C5017-0020-4.00	Standard	ER20	0.039 - 0.511"	020-SPAN	4.00"	1.50"	1.38"
C5027-0020-6.00	Standard	ER20	0.039 - 0.511"	020-SPAN	6.00"	1.50"	1.38"
C5037-0020-8.00*	Ext. Length	ER20	0.039 - 0.511"	020-SPAN	8.00"	1.50"	1.38"
C5057-0020-12.00*	Ext. Length	ER20	0.039 - 0.511"	020-SPAN	12.00"	1.50"	1.38"
C5007-0025-2.50	Standard	ER25	0.039 - 0.629"	025-SPAN	2.50"	1.67"	1.65"
C5017-0025-4.00	Standard	ER25	0.039 - 0.629"	025-SPAN	4.00"	1.67"	1.65"
C5027-0025-6.00	Standard	ER25	0.039 - 0.629"	025-SPAN	6.00"	1.67"	1.65"
C5037-0025-8.00*	Ext. Length	ER25	0.039 - 0.629"	025-SPAN	8.00"	1.67"	1.65"
C5007-0032-4.00	Standard	ER32	0.078 - 0.787"	032-SPAN	4.00"	1.84"	1.97"
C5017-0032-6.00	Standard	ER32	0.078 - 0.787"	032-SPAN	6.00"	1.84"	1.97"
C5027-0032-8.00*	Ext. Length	ER32	0.078 - 0.787"	032-SPAN	8.00"	1.84"	1.97"
C5057-0032-12.00*	Ext. Length	ER32	0.078 - 0.787"	032-SPAN	12.00"	1.84"	1.97"
C5057-0040-1.10	Stubby	ER40	0.118 - 1.023"	040-SPAN	1.10"	2.44"	1.97"
C5007-0040-4.00	Stubby	ER40	0.118 - 1.023"	040-SPAN	4.00"	2.07"	2.48"
C5017-0040-6.00	Standard	ER40	0.118 - 1.023"	040-SPAN	6.00"	2.07"	2.48"
C5027-0040-8.00*	Ext. Length	ER40	0.118 - 1.023"	040-SPAN	8.00"	2.07"	2.48"
C5057-0040-12.00*	Ext. Length	ER40	0.118 - 1.023"	040-SPAN	12.00"	2.07"	2.48"



**Stubby**



**Standard**



**Extended**

Notes:

- Back-up Screw included with ER Collet Chuck.
- \*For Extended Length holders, "L" dimension has tapered length. To confirm clearance, please download model/drawing from our website.

Available in **TAPER PLUS**  Dual-taper and flange contact

When removing the back-up screw, ER Collet Chucks have coolant-thru capabilities. No disc, special nut or wrench required!

See ER Coolant Collets on pages 52-59 



## BT ER Collet Chucks



**T.I.R.:** ≤ 0.0001" run out at cavity bore



**Speed:** up to 23,000 RPM



**Set-up:** quick and easy



**Coolant-Thru:** thru-tool coolant



Drilling



Milling



Tapping



Reaming

- Ball bearing nut with ground collet race
- AT3 or better taper
- Equipped with a left-hand-threaded stop screw

Please note that the maximum RPM listed in our catalog may vary depending on the toolholder shank, weight, balanceability and the G rating.

### BT30

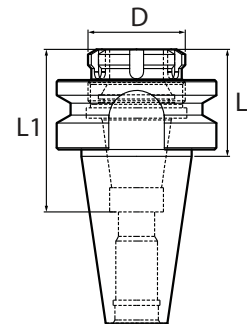
Part Number	Style	Collet Size	Collet Range	Nut Wrench	L	L1	D
B3007-0008-2.00	Standard	ER8	0.019 - 0.275"	08-NASPAN	2.00"	0.689"	0.472"
B3017-0008-4.00	Standard	ER8	0.019 - 0.275"	08-NASPAN	4.00"	0.689"	0.472"
B3007-0011-2.00	Standard	ER11	0.019 - 0.275"	011-HEX	2.00"	0.894"	0.75"
B3017-0011-4.00	Standard	ER11	0.019 - 0.275"	011-HEX	4.00"	0.894"	0.75"
B3007-0016-2.36	Standard	ER16	0.019 - 0.406"	016-SPAN	2.36"	1.26"	1.26"
B3017-0016-4.00	Standard	ER16	0.019 - 0.406"	016-SPAN	4.00"	1.26"	1.26"
B3027-0016-5.00	Standard	ER16	0.019 - 0.406"	016-SPAN	5.00"	1.26"	1.26"
B3037-0016-6.00	Standard	ER16	0.019 - 0.406"	016-SPAN	6.00"	1.26"	1.26"
B30S7-0020-1.22	Stubby	ER20	0.039 - 0.511"	FK-3	1.22"	0.79"	1.10"
B3007-0020-2.50	Standard	ER20	0.039 - 0.511"	020-SPAN	2.50"	1.50"	1.38"
B3017-0020-4.00	Standard	ER20	0.039 - 0.511"	020-SPAN	4.00"	1.50"	1.38"
B3007-0025-2.00	Standard	ER25	0.039 - 0.629"	025-SPAN	2.00"	1.67"	1.65"
B3017-0025-4.00	Standard	ER25	0.039 - 0.629"	025-SPAN	4.00"	1.67"	1.65"
B3007-0032-3.00	Standard	ER32	0.078 - 0.787"	032-SPAN	3.00"	1.84"	1.97"
B3017-0032-5.00	Standard	ER32	0.078 - 0.787"	032-SPAN	5.00"	1.84"	1.97"



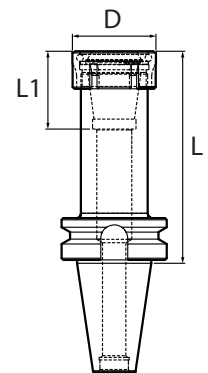
Available in **TAPER PLUS** <sup>+</sup>Dual-taper and flange contact

### BT40

Part Number	Style	Collet Size	Collet Range	Nut Wrench	L	L1	D
B4017-0008-4.00	Standard	ER8	0.019 - 0.275"	08-NASPAN	4.00"	0.689"	0.472"
B4007-0011-2.50	Standard	ER11	0.019 - 0.275"	011-HEX	2.50"	0.894"	0.75"
B4017-0011-4.00	Standard	ER11	0.019 - 0.275"	011-HEX	4.00"	0.894"	0.75"
B4027-0011-6.00	Standard	ER11	0.019 - 0.275"	011-HEX	6.00"	0.894"	0.75"
B4007-0016-3.50	Standard	ER16	0.019 - 0.406"	016-SPAN	3.50"	1.26"	1.26"
B4017-0016-5.00	Standard	ER16	0.019 - 0.406"	016-SPAN	5.00"	1.26"	1.26"
B4007-0020-2.50	Standard	ER20	0.039 - 0.511"	020-SPAN	2.50"	1.50"	1.38"
B4017-0020-4.00	Standard	ER20	0.039 - 0.511"	020-SPAN	4.00"	1.50"	1.38"
B4027-0020-6.00	Standard	ER20	0.039 - 0.511"	020-SPAN	6.00"	1.50"	1.38"
B4007-0025-2.25	Standard	ER25	0.039 - 0.629"	025-SPAN	2.25"	1.67"	1.65"
B4017-0025-4.00	Standard	ER25	0.039 - 0.629"	025-SPAN	4.00"	1.67"	1.65"
B4027-0025-6.00	Standard	ER25	0.039 - 0.629"	025-SPAN	6.00"	1.67"	1.65"
B4007-0032-3.13	Standard	ER32	0.078 - 0.787"	032-SPAN	3.13"	1.84"	1.97"
B4017-0032-5.00	Standard	ER32	0.078 - 0.787"	032-SPAN	5.00"	1.84"	1.97"
B4017-0040-5.00	Standard	ER40	0.118 - 1.023"	040-SPAN	5.00"	2.07"	2.48"



**Stubby**



**Standard**

When removing the back-up screw, ER Collet Chucks have coolant-thru capabilities. No disc, special nut or wrench required!

See ER coolant Collets on pages 52-59



ER Collets  
Pages 52-59



ER Torque Wrench  
Page 61



ER Back Up Screw  
Page 61



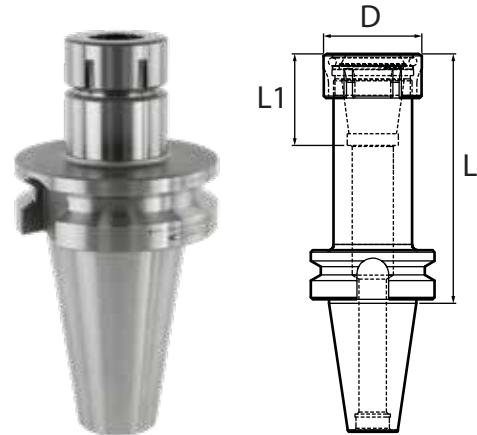
ER Nut  
Page 60

**BT ER Collet Chucks**

**BT50**

Part Number	Style	Collet Size	Collet Range	Nut Wrench	L	L1	D
B5007-0016-4.12	Standard	ER16	0.019 - 0.406"	016-SPAN	4.12"	1.26"	1.26"
B5017-0016-6.00	Standard	ER16	0.019 - 0.406"	016-SPAN	6.00"	1.26"	1.26"
B5007-0020-2.75	Standard	ER20	0.039 - 0.511"	020-SPAN	2.75"	1.50"	1.38"
B5017-0020-4.00	Standard	ER20	0.039 - 0.511"	020-SPAN	4.00"	1.50"	1.38"
B5007-0032-4.00	Standard	ER32	0.078 - 0.787"	032-SPAN	4.00"	1.84"	1.97"
B5017-0032-6.00	Standard	ER32	0.078 - 0.787"	032-SPAN	6.00"	1.84"	1.97"
B5017-0040-6.00	Standard	ER40	0.118 - 1.023"	040-SPAN	6.00"	2.07"	2.50"

Note: ER Collet Chucks come with back-up screw.



**Standard**

When removing the back-up screw, ER Collet Chucks have coolant-thru capabilities. No disc, special nut or wrench required!  
See ER coolant Collets on pages 52-59





## HSK ER Collet Chucks



**T.I.R.:** ≤ 0.0001" run out at cavity bore



**Speed:** up to 23,000 RPM



**Set-up:** quick and easy



**Coolant-Thru:** thru-tool coolant



Drilling



Milling



Tapping



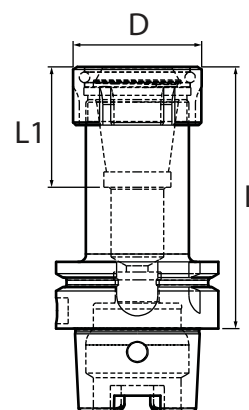
Reaming

- Ball bearing nut with ground collet race
- AT3 or better taper
- Equipped with a left-hand-threaded stop screw

Please note that the maximum RPM listed in our catalog may vary depending on the toolholder shank, weight, balanceability and the G rating.

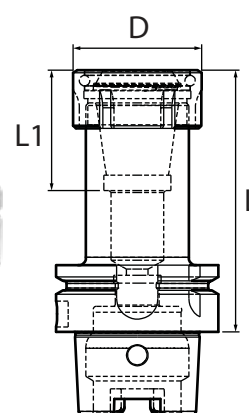
### HSK40A/63A

Part Number	Taper	Collet Size	Collet Range	Nut Wrench	L	L1	D
HSK40A-ER11-75	HSK40A	ER11	0.019 - 0.275"	011-HEX	2.95"	0.89"	0.75"
HSK40A-ER16-75	HSK40A	ER16	0.019 - 0.406"	016-SPAN	2.95"	1.26"	1.26"
HSK40A-ER20-75	HSK40A	ER20	0.039 - 0.511"	020-SPAN	2.95"	1.50"	1.38"
HSK40A-ER32-80	HSK40A	ER32	0.078 - 0.787"	032-SPAN	3.15"	1.84"	1.97"
HSK63A-ER16-3.00	HSK63A	ER16	0.019 - 0.406"	016-SPAN	3.00"	1.26"	1.26"
HSK63A-ER16-5.00	HSK63A	ER16	0.019 - 0.406"	016-SPAN	5.00"	1.26"	1.26"
HSK63A-ER20-3.00	HSK63A	ER20	0.039 - 0.511"	020-SPAN	3.00"	1.50"	1.38"
HSK63A-ER20-5.00	HSK63A	ER20	0.039 - 0.511"	020-SPAN	5.00"	1.50"	1.38"
HSK63A-ER25-3.00	HSK63A	ER25	0.039 - 0.629"	025-SPAN	3.00"	1.67"	1.65"
HSK63A-ER25-5.00	HSK63A	ER25	0.039 - 0.629"	025-SPAN	5.00"	1.67"	1.65"
HSK63A-ER32-4.00	HSK63A	ER32	0.078 - 0.787"	032-SPAN	4.00"	1.84"	1.97"
HSK63A-ER32-6.00	HSK63A	ER32	0.078 - 0.787"	032-SPAN	6.00"	1.84"	1.97"
HSK63A-ER40-4.00	HSK63A	ER40	0.118 - 1.023"	040-SPAN	4.00"	2.07"	2.48"
HSK63A-ER40-6.00	HSK63A	ER40	0.118 - 1.023"	040-SPAN	6.00"	2.07"	2.48"



### HSK100A

Part Number	Taper	Collet Size	Collet Range	Nut Wrench	L	L1	D
HSK100A-ER16-4.00	HSK100A	ER16	0.019 - 0.406"	016-SPAN	4.00"	1.26"	1.26"
HSK100A-ER16-6.00	HSK100A	ER16	0.019 - 0.406"	016-SPAN	6.00"	1.26"	1.26"
HSK100A-ER20-4.00	HSK100A	ER20	0.039 - 0.511"	020-SPAN	4.00"	1.50"	1.38"
HSK100A-ER20-6.00	HSK100A	ER20	0.039 - 0.511"	020-SPAN	6.00"	1.50"	1.38"
HSK100A-ER25-4.00	HSK100A	ER25	0.039 - 0.629"	025-SPAN	4.00"	1.67"	1.65"
HSK100A-ER25-6.00	HSK100A	ER25	0.039 - 0.629"	025-SPAN	6.00"	1.67"	1.65"
HSK100A-ER32-4.00	HSK100A	ER32	0.078 - 0.787"	032-SPAN	4.00"	1.84"	1.97"
HSK100A-ER32-6.00	HSK100A	ER32	0.078 - 0.787"	032-SPAN	6.00"	1.84"	1.97"
HSK100A-ER40-4.00	HSK100A	ER40	0.118 - 1.023"	040-SPAN	4.00"	2.07"	2.48"
HSK100A-ER40-6.00	HSK100A	ER40	0.118 - 1.023"	040-SPAN	6.00"	2.07"	2.48"



Note: Coolant tube and coolant wrench not included. See page 61 for details.

When removing the back-up screw, ER Collet Chucks have coolant-thru capabilities. No disc, special nut or wrench required!

See ER coolant Collets on pages 52-59



ER Collets  
Pages 52-59



ER Torque Wrench  
Page 61



ER Back Up Screw  
Page 61



ER Nut  
Page 60

**NMTB and R8 ER Collet Chucks**

- Ball bearing nut with ground collet race
- AT3 or better taper



**T.I.R.:** <.0005" at collet face



**Set-up:** quick and easy



**Coolant-Thru:** thru-tool coolant



Drilling



Milling



Tapping



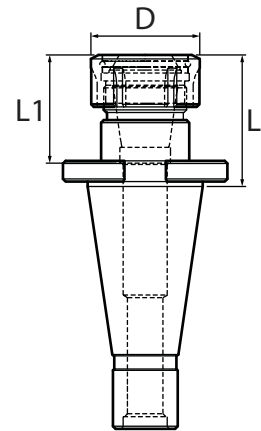
Reaming

ER Collet Chucks

**NMTB40**

Part Number	Taper	Collet Size	Collet Range	Nut Wrench	L	L1	D
N4007-0016-1.77	NMTB40	ER16	0.019 - 0.406"	016-SPAN	1.77"	1.26"	1.26"
N4007-0025-2.00	NMTB40	ER25	0.039 - 0.629"	025-SPAN	2.00"	1.67"	1.65"

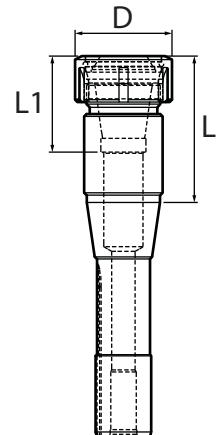
Note: NMTB shanks are suitable for use with Erickson Quick Change spindles.



**R8**

Part Number	Collet Size	Collet Range	Nut Wrench	L	L1	D
R8007-0016-1.00	ER16	0.019 - 0.406"	016-SPAN	1.00"	1.27"	1.26"
R8007-0020-2.00	ER20	0.039 - 0.511"	020-SPAN	2.00"	1.50"	1.38"

Note: ER Collet Chucks come with back-up screw.



When removing the back-up screw, ER Collet Chucks have coolant-thru capabilities. No disc, special nut or wrench required!

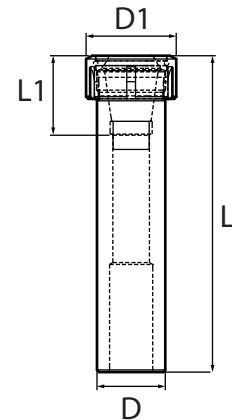
See ER coolant Collets on pages 52-59



## ER Collet Chuck Extensions

Part Number	Collet Size	Collet Range	Nut Wrench	D	D1	L	L1
ER8-EXT-500	ER8	0.019 - 0.275"	08-NASPAN	1/2"	0.49"	5.95"	0.75"
ER8-EXT-625	ER8	0.019 - 0.275"	08-NASPAN	5/8"	0.49"	5.95"	0.75"
E11-EXT-500	ER11	0.019 - 0.275"	011-HEX	1/2"	0.75"	6.11"	0.91"
E11-EXT-625	ER11	0.019 - 0.275"	011-HEX	5/8"	0.75"	6.11"	0.91"
E11-EXT-750	ER11	0.019 - 0.275"	011-HEX	3/4"	0.75"	5.65"	0.91"
E16-EXT-100	ER16	0.019 - 0.406"	016-SPAN	1"	1.26"	5.89"	1.28"
E16-EXT-625	ER16	0.019 - 0.406"	016-SPAN	5/8"	1.26"	6.48"	1.28"
E16-EXT-750	ER16	0.019 - 0.406"	016-SPAN	3/4"	1.26"	6.48"	1.28"
E20-EXT-100	ER20	0.039 - 0.511"	020-SPAN	1"	1.38"	6.40"	1.48"
E20-EXT-125	ER20	0.039 - 0.511"	020-SPAN	1-1/4"	1.38"	6.40"	1.48"
E20-EXT-750	ER20	0.039 - 0.511"	020-SPAN	3/4"	1.38"	6.68"	1.48"
E25-EXT-100	ER25	0.039 - 0.629"	025-SPAN	1"	1.65"	6.85"	1.65"
E25-EXT-125	ER25	0.039 - 0.629"	025-SPAN	1-1/4"	1.65"	6.00"	1.65"
E25-EXT-750	ER25	0.039 - 0.629"	025-SPAN	3/4"	1.65"	6.85"	1.65"
E32-EXT-100	ER32	0.078 - 0.787"	032-SPAN	1"	1.97"	7.09"	1.85"
E32-EXT-125	ER32	0.078 - 0.787"	032-SPAN	1-1/4"	1.97"	7.09"	1.85"

Note: ER Collet Chucks come with back-up screw.



When removing the back-up screw, ER Collet Chucks have coolant-thru capabilities. No disc, special nut or wrench required!

See ER coolant Collets on pages 52-59



### Lyndex-Nikken Offers Single and Dual Plane Balancing for Large Diameter or Long Tooling Assemblies

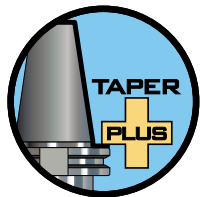
#### Benefits of ER Collet Chuck Balancing:

- Balanced assemblies can reduce spindle vibration—prolonging the life of your cutting tools and spindle.
- Increase the quality and consistency of machined surface finishes.
- Achieves greater machined surface flatness.
- Balancing service is only required once during initial set up.

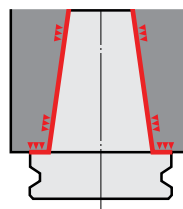


## Taper Plus CAT ER Collet Chucks

### Taper Plus Advantages

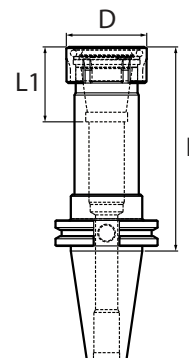


- Outstanding runout accuracy for longer tool life
- Vibration dampening for increased productivity
- High rigidity for smooth and stable cutting
- Interchangeable between standard and dual face contact spindles
- 53% more surface area contact than just the taper alone



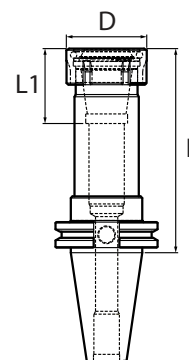
### Taper Plus - CAT40

Part Number	Collet Size	Collet Range	Nut Wrench	L	L1	D
NC4007-0016-3.50	ER16	0.019 - 0.406"	016-SPAN	3.50"	1.26"	1.26"
NC4007-0020-2.50	ER20	0.039 - 0.511"	020-SPAN	2.50"	1.50"	1.38"
NC4007-0025-2.50	ER25	0.039 - 0.629"	025-SPAN	2.50"	1.67"	1.65"
NC4007-0032-3.13	ER32	0.078 - 0.787"	032-SPAN	3.13"	1.84"	1.97"
NC4007-0040-3.13	ER40	0.188 - 1.023"	040-SPAN	3.13"	2.07"	2.48"
NC4017-0016-6.00	ER16	0.019 - 0.406"	016-SPAN	6.00"	1.26"	1.26"
NC4017-0020-4.00	ER20	0.039 - 0.511"	020-SPAN	4.00"	1.50"	1.38"
NC4017-0025-4.00	ER25	0.039 - 0.629"	025-SPAN	4.00"	1.67"	1.65"
NC4017-0032-5.00	ER32	0.078 - 0.787"	032-SPAN	5.00"	1.84"	1.97"



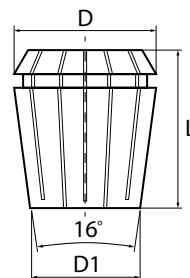
### Taper Plus - CAT50

Part Number	Collet Size	Collet Range	Nut Wrench	L	L1	D
NC5007-0016-4.12	ER16	0.019 - 0.406"	016-SPAN	4.12"	1.26"	1.26"
NC5007-0032-4.00	ER32	0.078 - 0.787"	032-SPAN	4.00"	1.84"	1.97"
NC5007-0040-4.00	ER40	0.118 - 1.023"	040-SPAN	4.00"	2.07"	2.48"
NC5017-0016-6.00	ER16	0.019 - 0.406"	016-SPAN	6.00"	1.26"	1.26"
NC5017-0020-4.00	ER20	0.039 - 0.511"	020-SPAN	4.00"	1.50"	1.38"
NC5017-0025-4.00	ER25	0.039 - 0.629"	025-SPAN	4.00"	1.67"	1.65"
NC5017-0032-6.00	ER32	0.078 - 0.787"	032-SPAN	6.00"	1.84"	1.97"



### ER Collet Dimensional Data

Style	D	D1	L	Collet Range	Coolant Collet Size Range
ER16	0.677"	0.445"	1.063"	0.019 - 0.393"	0.157 - 0.393"
ER20	0.835"	0.571"	1.220"	0.039 - 0.511"	0.196 - 0.511"
ER25	1.031"	0.728"	1.378"	0.039 - 0.629"	0.236 - 0.629"
ER32	1.307"	0.960"	1.575"	0.078 - 0.787"	0.393 - 0.787"
ER40	1.622"	1.228"	1.811"	0.118 - 1.023"	0.393 - 1.023"

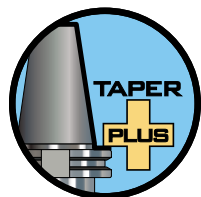


ER Coolant Collets with high pressure coolant-thru the tool capability are available. Mechanically sealing design eliminates the need for discs, special nuts, or wrenches. See ER Coolant Collets on pages 52 - 57.

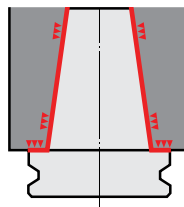


## Taper Plus BT ER Collet Chucks

### Taper Plus Advantages

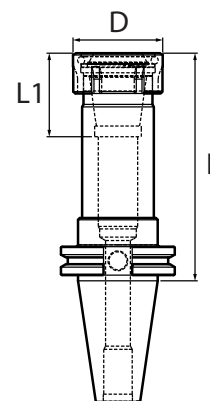


- Outstanding runout accuracy for longer tool life
- Vibration dampening for increased productivity
- High rigidity for smooth and stable cutting
- Interchangeable between standard and dual face contact spindles
- 53% more surface area contact than just the taper alone



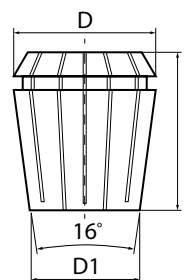
### Taper Plus - BT30

Part Number	Collet Size	Collet Range	Nut Wrench	L	L1	D
NB3007-0008-2.00	ER8	0.019 - 0.275"	08-NASPAN	2.00"	0.69"	0.47"
NB3017-0008-4.00	ER8	0.019 - 0.275"	08-NASPAN	4.00"	0.69"	0.47"
NB3007-0011-2.00	ER11	0.019 - 0.275"	011-HEX	2.00"	0.89"	0.75"
NB3017-0011-4.00	ER11	0.019 - 0.275"	011-HEX	4.00"	0.89"	0.75"
NB3007-0016-2.36	ER16	0.019 - 0.406"	016-SPAN	2.36"	1.26"	1.26"
NB3017-0016-4.00	ER16	0.019 - 0.406"	016-SPAN	4.00"	1.26"	1.26"
NB3027-0016-5.00	ER16	0.019 - 0.406"	016-SPAN	5.00"	1.26"	1.26"
NB3037-0016-6.00	ER16	0.019 - 0.406"	016-SPAN	6.00"	1.26"	1.26"
NB3057-0020-1.22	ER20	0.039 - 0.511"	FK-3	1.22"	0.79"	1.10"
NB3007-0020-2.50	ER20	0.039 - 0.511"	020-SPAN	2.50"	1.50"	1.38"
NB3017-0020-4.00	ER20	0.039 - 0.511"	020-SPAN	4.00"	1.50"	1.38"
NB3007-0025-2.00	ER25	0.039 - 0.629"	025-SPAN	2.00"	1.67"	1.65"
NB3017-0025-4.00	ER25	0.039 - 0.629"	025-SPAN	4.00"	1.67"	1.65"
NB3007-0032-3.00	ER32	0.078 - 0.787"	032-SPAN	3.00"	1.84"	1.97"
NB3017-0032-5.00	ER32	0.078 - 0.787"	032-SPAN	5.00"	1.84"	1.97"



### ER Collet Dimensional Data

Style	D	D1	L	Collet Range	Coolant Collet Size Range
ER8	0.330"	0.216"	0.535"	0.019 - 0.196"	N/A
ER11	0.460"	0.307"	0.709"	0.019 - 0.275"	0.157 - 0.275"
ER16	0.677"	0.445"	1.063"	0.019 - 0.393"	0.157 - 0.393"
ER20	0.835"	0.571"	1.220"	0.039 - 0.511"	0.196 - 0.511"
ER25	1.031"	0.728"	1.378"	0.039 - 0.629"	0.236 - 0.629"
ER32	1.307"	0.960"	1.575"	0.078 - 0.787"	0.393 - 0.787"



ER Coolant Collets with high pressure coolant-thru the tool capability are available. Mechanically sealing design eliminates the need for discs, special nuts, or wrenches. See ER Coolant Collets on pages 52 - 57.



ER Collets  
Pages 52-59



ER Torque Wrench  
Page 61



ER Back Up Screw  
Page 61



ER Nut  
Page 60

## ER8 and ER11 Collets

### ER8 Collets

Size range: 1.00 - 5.00mm (0.039" - 0.197")

#### Metric

Part Number	Size	Collapse Range
ER8-039	1.0mm	1.0 - 0.5mm
ER8-059	1.5mm	1.5 - 1.0mm
ER8-078	2.0mm	2.0 - 1.5mm
ER8-098	2.5mm	2.5 - 2.0mm
ER8-118	3.0mm	3.0 - 2.5mm
ER8-137	3.5mm	3.5 - 3.0mm
ER8-157	4.0mm	4.0 - 3.5mm
ER8-177	4.5mm	4.5 - 4.0mm
ER8-196	5.0mm	5.0 - 4.5mm

ER8-SET-09-MM 9 Piece Set  
0.5 - 5.0mm by 0.5mm



### Precision Standard

Precision slots allow for even distribution of clamping pressure and minimal run out.



### Coolant-Thru

Our patented Coolant Collets are designed for use with cylindrical shank tools (no flats). Cutting tool should be inserted the full length of the collet. If these conditions are not met, coolant leakage may result. Seals up to maximum coolant pressure of 1000 psi.

### ER11 Collets

Size range: 1/32 - 17/64"  
(0.031 - 0.266")

Size range: 1.0 - 7.0mm  
(0.039 - 0.276")

#### Inch

Part Number	Size	Collapse Range
E11-002	1/32"	0.031 - 0.027"
E11-003	3/64"	0.047 - 0.031"
E11-004	1/16"	0.063 - 0.047"
E11-005	5/64"	0.078 - 0.063"
E11-006	3/32"	0.094 - 0.078"
E11-007	7/64"	0.109 - 0.094"
E11-008	1/8"	0.125 - 0.109"
E11-009	9/64"	0.141 - 0.125"
E11-010	5/32"	0.156 - 0.141"
E11-011	11/64"	0.172 - 0.156"
E11-012	3/16"	0.187 - 0.172"
E11-013	13/64"	0.203 - 0.187"
E11-014	7/32"	0.219 - 0.203"
E11-015	15/64"	0.234 - 0.219"
E11-016	1/4"	0.250 - 0.234"
E11-017	17/64"	0.266 - 0.250"

#### Metric

Part Number	Size	Collapse Range
E11-039	1.0mm	1.0 - 0.5mm
E11-059	1.5mm	1.5 - 1.0mm
E11-078	2.0mm	2.0 - 1.5mm
E11-098	2.5mm	2.5 - 2.0mm
E11-118	3.0mm	3.0 - 2.5mm
E11-137	3.5mm	3.5 - 3.0mm
E11-157	4.0mm	4.0 - 3.5mm
E11-177	4.5mm	4.5 - 4.0mm
E11-196	5.0mm	5.0 - 4.5mm
E11-216	5.5mm	5.5 - 5.0mm
E11-236	6.0mm	6.0 - 5.5mm
E11-255	6.5mm	6.5 - 6.0mm
E11-275	7.0mm	7.0 - 6.5mm

### ER11 Collet Sets

E11-SET-14 14 Piece Set: 1/16" - by 1/64ths  
E11-SET-12-MM 12 Piece Set: 1.0 - 7.0mm by 0.5mm

Note: See dimensional data for ER8 & ER11 Collets on page 41.

Size range: 3/16 - 17/64"  
(0.188 - 0.266")

Size range: 4.0 - 7.0mm  
(0.157 - 0.276")

### Inch Coolant-Thru

Part Number	Size	Collapse Range
E11-012(C)	3/16"	0.187 - 0.183"
E11-013(C)	13/64"	0.203 - 0.199"
E11-014(C)	7/32"	0.218 - 0.214"
E11-015(C)	15/64"	0.234 - 0.230"
E11-016(C)	1/4"	0.250 - 0.246"
E11-017(C)	17/64"	0.265 - 0.261"

### Metric Coolant-Thru

Part Number	Size	Collapse Range
E11-157(C)	4.0mm	4.0 - 3.5mm
E11-177(C)	4.5mm	4.5 - 4.0mm
E11-196(C)	5.0mm	5.0 - 4.5mm
E11-216(C)	5.5mm	5.5 - 5.0mm
E11-236(C)	6.0mm	6.0 - 5.5mm
E11-255(C)	6.5mm	6.5 - 6.0mm
E11-275(C)	7.0mm	7.0 - 6.5mm

### ER11 Coolant Collet Sets

E11-SET-06(C) 6 Piece Set: 3/16" - 17/64" by 1/64ths  
E11-SET-07(C)-MM 7 Piece Set: 3.9 - 7.0mm by 0.5mm

## ER16 Collets



### Precision Standard

Precision slots allow for even distribution of clamping pressure and minimal run out.

Size range: 1/32 - 13/32"  
(0.031 - 0.406")

Size range: 1.0 - 10.0mm  
(0.039 - 0.394")

### Inch

Part Number	Size	Collapse Range	Part Number	Size	Collapse Range
E16-002	1/32"	0.031 - 0.027"	E16-039	1.0mm	1.0 - 0.5mm
E16-004	1/16"	0.063 - 0.047"	E16-059	1.5mm	1.5 - 1.0mm
E16-006	3/32"	0.094 - 0.078"	E16-078	2.0mm	2.0 - 1.5mm
E16-008	1/8"	0.125 - 0.109"	E16-098	2.5mm	2.5 - 2.0mm
E16-010	5/32"	0.156 - 0.125"	E16-118	3.0mm	3.0 - 2.5mm
E16-012	3/16"	0.187 - 0.156"	E16-137	3.5mm	3.5 - 3.0mm
E16-014	7/32"	0.219 - 0.187"	E16-157	4.0mm	4.0 - 3.5mm
E16-016	1/4"	0.250 - 0.219"	E16-177	4.5mm	4.5 - 4.0mm
E16-018	9/32"	0.281 - 0.250"	E16-196	5.0mm	5.0 - 4.5mm
E16-020	5/16"	0.312 - 0.281"	E16-216	5.5mm	5.5 - 5.0mm
E16-022	11/32"	0.344 - 0.312"	E16-236	6.0mm	6.0 - 5.5mm
E16-024	3/8"	0.375 - 0.344"	E16-255	6.5mm	6.5 - 6.0mm
E16-026	13/32"	0.406 - 0.375"	E16-275	7.0mm	7.0 - 6.5mm

### Metric

Part Number	Size	Collapse Range	Part Number	Size	Collapse Range
E16-039	1.0mm	1.0 - 0.5mm	E16-295	7.5mm	7.5 - 7.0mm
E16-059	1.5mm	1.5 - 1.0mm	E16-314	8.0mm	8.0 - 7.5mm
E16-078	2.0mm	2.0 - 1.5mm	E16-334	8.5mm	8.5 - 8.0mm
E16-098	2.5mm	2.5 - 2.0mm	E16-354	9.0mm	9.0 - 8.5mm
E16-118	3.0mm	3.0 - 2.5mm	E16-374	9.5mm	9.5 - 9.0mm
E16-137	3.5mm	3.5 - 3.0mm	E16-393	10.0mm	10.0 - 9.5mm

### ER16 Collet Sets

E16-SET-12	12 Piece Set: 1/32" - 13/32" by 1/32nds
E16-SET-09-MM	9 Piece Set: 2.0 - 10.0mm by 1mm

Note: See dimensional data for ER16 Collets on page 41.



### Coolant-Thru

Our patented Coolant Collets are designed for use with cylindrical shank tools (no flats). Cutting tool should be inserted the full length of the collet. If these conditions are not met, coolant leakage may result. Seals up to maximum coolant pressure of 1000 psi.

Size range: 3/32 - 13/32"  
(0.094 - 0.406")

Size range: 4.0 - 10.0mm  
(0.157 - 0.394")

### Inch Coolant-Thru

Part Number	Size	Collapse Range	Part Number	Size	Collapse Range
E16-006(C)	3/32"	0.094 - 0.089"	E16-157(C)	4.0mm	4.0 - 3.5mm
E16-007(C)	7/64"	0.109 - 0.105"	E16-177(C)	4.5mm	4.5 - 4.0mm
E16-008(C)	1/8"	0.125 - 0.121"	E16-196(C)	5.0mm	5.0 - 4.5mm
E16-009(C)	9/64"	0.140 - 0.136"	E16-216(C)	5.5mm	5.5 - 5.0mm
E16-010(C)	5/32"	0.156 - 0.152"	E16-236(C)	6.0mm	6.0 - 5.5mm
E16-011(C)	11/64"	0.171 - 0.167"	E16-255(C)	6.5mm	6.5 - 6.0mm
E16-012(C)	3/16"	0.187 - 0.183"	E16-275(C)	7.0mm	7.0 - 6.5mm
E16-013(C)	13/64"	0.203 - 0.199"	E16-295(C)	7.5mm	7.5 - 7.0mm
E16-014(C)	7/32"	0.219 - 0.203"	E16-314(C)	8.0mm	8.0 - 7.5mm
E16-015(C)	15/64"	0.234 - 0.219"	E16-334(C)	8.5mm	8.5 - 8.0mm
E16-016(C)	1/4"	0.250 - 0.234"	E16-354(C)	9.0mm	9.0 - 8.5mm
E16-017(C)	17/64"	0.266 - 0.250"	E16-374(C)	9.5mm	9.5 - 9.0mm
E16-018(C)	9/32"	0.281 - 0.266"	E16-393(C)	10.0mm	10.0 - 9.5mm
E16-019(C)	19/64"	0.297 - 0.281"			
E16-020(C)	5/16"	0.312 - 0.297"			
E16-021(C)	21/64"	0.328 - 0.312"			
E16-022(C)	11/32"	0.344 - 0.328"			
E16-023(C)	23/64"	0.359 - 0.344"			
E16-024(C)	3/8"	0.375 - 0.359"			
E16-025(C)	25/64"	0.391 - 0.375"			
E16-026(C)	13/32"	0.406 - 0.391"			

### ER16 Coolant Collet Sets

E16-SET-11(C)	11 Piece Set: 3/32" - 13/32" by 1/32nds
E16-SET-15(C)	15 Piece Set: 3/16" - 11/32" by 1/32nds
E16-SET-13(C)-MM	13 Piece Set: 4.0 - 10.0mm by 0.5mm

## ER20 Collets

### Precision Standard

Precision slots allow for even distribution of clamping pressure and minimal run out.



Size range: 1/16 - 1/2"  
(0.062 - 0.500")

Size range: 2.0 - 13.0mm  
(0.079 - 0.512")

### Coolant-Thru

Our patented Coolant Collets are designed for use with cylindrical shank tools (no flats). Cutting tool should be inserted the full length of the collet. If these conditions are not met, coolant leakage may result. Seals up to maximum coolant pressure of 1000 psi.



Size range: 5/32 - 1/2"  
(0.156 - 0.500")

Size range: 5.0 - 13.0mm  
(0.197 - 0.512")

### Inch

Part Number	Size	Collapse Range
E20-004	1/16"	0.063 - 0.047"
E20-006	3/32"	0.094 - 0.078"
E20-008	1/8"	0.125 - 0.109"
E20-010	5/32"	0.156 - 0.125"
E20-012	3/16"	0.187 - 0.156"
E20-014	7/32"	0.219 - 0.187"
E20-016	1/4"	0.250 - 0.219"
E20-018	9/32"	0.281 - 0.250"
E20-020	5/16"	0.312 - 0.281"
E20-022	11/32"	0.344 - 0.312"
E20-024	3/8"	0.375 - 0.344"
E20-026	13/32"	0.406 - 0.375"
E20-028	7/16"	0.437 - 0.406"
E20-030	15/32"	0.469 - 0.437"
E20-032	1/2"	0.500 - 0.469"

### Metric

Part Number	Size	Collapse Range
E20-078	2.0mm	2.0 - 1.0mm
E20-118	3.0mm	3.0 - 2.5mm
E20-137	3.5mm	3.5 - 2.5mm
E20-157	4.0mm	4.0 - 3.5mm
E20-196	5.0mm	5.0 - 4.0mm
E20-236	6.0mm	6.0 - 5.0mm
E20-275	7.0mm	7.0 - 6.0mm
E20-314	8.0mm	8.0 - 7.0mm
E20-354	9.0mm	9.0 - 8.0mm
E20-393	10.0mm	10.0 - 9.0mm
E20-433	11.0mm	11.0 - 10.0mm
E20-452	11.5mm	11.5 - 11.0mm
E20-472	12.0mm	12.0 - 11.0mm
E20-511	13.0mm	13.0 - 12.0mm

### Inch Coolant-Thru

Part Number	Size	Collapse Range
E20-010(C)	5/32"	0.156 - 0.152"
E20-011(C)	11/64"	0.172 - 0.167"
E20-012(C)	3/16"	0.187 - 0.183"
E20-013(C)	13/64"	0.203 - 0.199"
E20-014(C)	7/32"	0.219 - 0.203"
E20-015(C)	15/64"	0.234 - 0.219"
E20-016(C)	1/4"	0.250 - 0.234"
E20-017(C)	17/64"	0.266 - 0.250"
E20-018(C)	9/32"	0.281 - 0.266"
E20-019(C)	19/64"	0.297 - 0.281"
E20-020(C)	5/16"	0.312 - 0.297"
E20-021(C)	21/64"	0.328 - 0.312"
E20-022(C)	11/32"	0.344 - 0.328"
E20-023(C)	23/64"	0.359 - 0.344"
E20-024(C)	3/8"	0.375 - 0.359"
E20-025(C)	25/64"	0.391 - 0.375"
E20-026(C)	13/32"	0.406 - 0.391"
E20-027(C)	27/64"	0.422 - 0.406"
E20-028(C)	7/16"	0.437 - 0.422"
E20-029(C)	29/64"	0.453 - 0.437"
E20-030(C)	15/32"	0.469 - 0.453"
E20-031(C)	31/64"	0.484 - 0.469"
E20-032(C)	1/2"	0.500 - 0.484"

### Metric Coolant-Thru

Part Number	Size	Collapse Range
E20-196(C)	5.0mm	5.0 - 4.5mm
E20-216(C)	5.5mm	5.5 - 5.0mm
E20-236(C)	6.0mm	6.0 - 5.5mm
E20-255(C)	6.5mm	6.5 - 6.0mm
E20-275(C)	7.0mm	7.0 - 6.5mm
E20-295(C)	7.5mm	7.5 - 7.0mm
E20-314(C)	8.0mm	8.0 - 7.5mm
E20-334(C)	8.5mm	8.5 - 8.0mm
E20-354(C)	9.0mm	9.0 - 8.5mm
E20-374(C)	9.5mm	9.5 - 9.0mm
E20-393(C)	10.0mm	10.0 - 9.5mm
E20-413(C)	10.5mm	10.5 - 10.0mm
E20-433(C)	11.0mm	11.0 - 10.5mm
E20-452(C)	11.5mm	11.5 - 11.0mm
E20-472(C)	12.0mm	12.0 - 11.5mm
E20-492(C)	12.5mm	12.5 - 12.0mm
E20-511(C)	13.0mm	13.0 - 12.5mm

### ER20 Collet Sets

E20-SET-15	15 Piece Set: 1/16" - 1/2" by 1/32nds
E20-SET-11-MM	11 Piece Set: 2.0 - 13.0mm by 1mm

Note: See dimensional data for ER20 Collets on page 41.

### ER20 Coolant Collet Sets

E20-SET-12(C)	12 Piece Set: 5/32" - 1/2" by 1/32nds
E20-SET-17(C)-MM	17 Piece Set: 5.0 - 13.0mm by 0.5mm



## ER25 Collets



### Precision Standard

Precision slots allow for even distribution of clamping pressure and minimal run out.

Size range: 1/16" - 5/8"  
(0.0625 - 0.625")

Size range: 2.0 - 16.0mm  
(0.079 - 0.630")

### Inch

Part Number	Size	Collapse Range	Part Number	Size	Collapse Range
E25-004	1/16"	0.063 - 0.047"	E25-078	2.0mm	2.0 - 1.0mm
E25-006	3/32"	0.094 - 0.078"	E25-118	3.0mm	3.0 - 2.0mm
E25-008	1/8"	0.125 - 0.109"	E25-137	3.5mm	3.5 - 2.5mm
E25-010	5/32"	0.156 - 0.125"	E25-157	4.0mm	4.0 - 3.0mm
E25-012	3/16"	0.187 - 0.156"	E25-196	5.0mm	5.0 - 4.0mm
E25-014	7/32"	0.218 - 0.187"	E25-236	6.0mm	6.0 - 5.0mm
E25-016	1/4"	0.250 - 0.219"	E25-275	7.0mm	7.0 - 6.0mm
E25-018	9/32"	0.281 - 0.250"	E25-314	8.0mm	8.0 - 7.0mm
E25-020	5/16"	0.312 - 0.281"	E25-354	9.0mm	9.0 - 8.0mm
E25-022	11/32"	0.344 - 0.312"	E25-393	10.0mm	10.0 - 9.0mm
E25-024	3/8"	0.375 - 0.344"	E25-433	11.0mm	11.0 - 10.0mm
E25-026	13/32"	0.406 - 0.375"	E25-452	11.5mm	11.5 - 11.0mm
E25-028	7/16"	0.437 - 0.406"	E25-472	12.0mm	12.0 - 11.0mm
E25-030	15/32"	0.469 - 0.437"	E25-511	13.0mm	13.0 - 12.0mm
E25-032	1/2"	0.500 - 0.469"	E25-551	14.0mm	14.0 - 13.0mm
E25-034	17/32"	0.531 - 0.500"	E25-590	15.0mm	15.0 - 14.0mm
E25-036	9/16"	0.563 - 0.531"	E25-629	16.0mm	16.0 - 15.0mm
E25-038	19/32"	0.594 - 0.563"			
E25-040	5/8"	0.625 - 0.594"			

### ER25 Collet Sets

E25-SET-19	19 Piece Set: 1/16" - 5/8" by 1/32nds
E25-SET-14-MM	14 Piece Set: 2.0 - 16.0mm by 1mm

Note: See dimensional data for ER25 Collets on page 41.



### Coolant-Thru

Our patented Coolant Collets are designed for use with cylindrical shank tools (no flats). Cutting tool should be inserted the full length of the collet. If these conditions are not met, coolant leakage may result. Seals up to maximum coolant pressure of 1000 psi.

Size range: 7/32" - 5/8"  
(0.219 - 0.625")

Size range: 6.0 - 16.0mm  
(0.236 - 0.630")

### Inch Coolant-Thru

Part Number	Size	Collapse Range	Part Number	Size	Collapse Range
E25-014(C)	7/32"	0.219 - 0.203"	E25-236(C)	6.0mm	6.0 - 5.5mm
E25-015(C)	15/64"	0.234 - 0.219"	E25-255(C)	6.5mm	6.5 - 6.0mm
E25-016(C)	1/4"	0.250 - 0.234"	E25-275(C)	7.0mm	7.0 - 6.5mm
E25-017(C)	17/64"	0.266 - 0.250"	E25-295(C)	7.5mm	7.5 - 7.0mm
E25-018(C)	9/32"	0.281 - 0.266"	E25-314(C)	8.0mm	8.0 - 7.5mm
E25-019(C)	19/64"	0.297 - 0.281"	E25-334(C)	8.5mm	8.5 - 8.0mm
E25-020(C)	5/16"	0.312 - 0.297"	E25-354(C)	9.0mm	9.0 - 8.5mm
E25-021(C)	21/64"	0.328 - 0.312"	E25-374(C)	9.5mm	9.5 - 9.0mm
E25-022(C)	11/32"	0.344 - 0.328"	E25-393(C)	10.0mm	10.0 - 9.5mm
E25-023(C)	23/64"	0.359 - 0.344"	E25-413(C)	10.5mm	10.5 - 10.0mm
E25-024(C)	3/8"	0.375 - 0.359"	E25-433(C)	11.0mm	11.0 - 10.5mm
E25-025(C)	25/64"	0.391 - 0.375"	E25-452(C)	11.5mm	11.5 - 11.0mm
E25-026(C)	13/32"	0.406 - 0.391"	E25-472(C)	12.0mm	12.0 - 11.5mm
E25-027(C)	27/64"	0.422 - 0.406"	E25-492(C)	12.5mm	12.5 - 12.0mm
E25-028(C)	7/16"	0.437 - 0.422"	E25-511(C)	13.0mm	13.0 - 12.5mm
E25-029(C)	29/64"	0.453 - 0.437"	E25-531(C)	13.5mm	13.5 - 13.0mm
E25-030(C)	15/32"	0.469 - 0.453"	E25-551(C)	14.0mm	14.0 - 13.5mm
E25-031(C)	31/64"	0.484 - 0.469"	E25-570(C)	14.5mm	14.5 - 14.0mm
E25-032(C)	1/2"	0.500 - 0.484"	E25-590(C)	15.0mm	15.0 - 14.5mm
E25-033(C)	33/64"	0.516 - 0.500"	E25-610(C)	15.5mm	15.5 - 15.0mm
E25-034(C)	17/32"	0.531 - 0.516"	E25-629(C)	16.0mm	16.0 - 15.5mm
E25-035(C)	35/64"	0.547 - 0.531"			
E25-036(C)	9/16"	0.563 - 0.547"			
E25-037(C)	37/64"	0.578 - 0.563"			
E25-038(C)	19/32"	0.594 - 0.578"			
E25-039(C)	39/64"	0.609 - 0.594"			
E25-040(C)	5/8"	0.625 - 0.609"			

### ER25 Coolant Collet Sets

E25-SET-13(C)	13 Piece Set: 1/4" - 5/8" by 1/32nds
E25-SET-21(C)-MM	21 Piece Set: 6.0 - 16.0mm by 0.5mm

## ER32 Collets

### Precision Standard

Precision slots allow for even distribution of clamping pressure and minimal run out.



Size range: 1/8" - 25/32"  
(0.125" - 0.781")

Size range: 3.0 - 20.0mm  
(0.118 - 0.787")

### Coolant-Thru

Our patented Coolant Collets are designed for use with cylindrical shank tools (no flats). Cutting tool should be inserted the full length of the collet. If these conditions are not met, coolant leakage may result. Seals up to maximum coolant pressure of 1000 psi.



Size range: 1/4" - 25/32"  
(0.250 - 0.781")

Size range: 10.0 - 20.0mm  
(0.394 - 0.787")

### Inch

Part Number	Size	Collapse Range
E32-008	1/8"	0.125 - 0.109"
E32-010	5/32"	0.156 - 0.125"
E32-012	3/16"	0.187 - 0.156"
E32-014	7/32"	0.219 - 0.187"
E32-016	1/4"	0.250 - 0.219"
E32-018	9/32"	0.281 - 0.250"
E32-020	5/16"	0.312 - 0.281"
E32-022	11/32"	0.344 - 0.312"
E32-024	3/8"	0.375 - 0.344"
E32-026	13/32"	0.406 - 0.375"
E32-028	7/16"	0.437 - 0.406"
E32-030	15/32"	0.469 - 0.437"
E32-032	1/2"	0.500 - 0.469"
E32-034	17/32"	0.531 - 0.500"
E32-036	9/16"	0.594 - 0.563"
E32-038	19/32"	0.594 - 0.562"
E32-040	5/8"	0.625 - 0.594"
E32-042	21/32"	0.688 - 0.656"
E32-044	11/16"	0.719 - 0.688"
E32-046	23/32"	0.719 - 0.687"
E32-048	3/4"	0.750 - 0.719"
E32-050	25/32"	0.781 - 0.750"

### Metric

Part Number	Size	Collapse Range
E32-118	3.0mm	3.0 - 2.0mm
E32-137	3.5mm	3.5 - 2.5mm
E32-157	4.0mm	4.0 - 3.0mm
E32-196	5.0mm	5.0 - 4.0mm
E32-236	6.0mm	6.0 - 5.0mm
E32-275	7.0mm	7.0 - 6.0mm
E32-314	8.0mm	8.0 - 7.0mm
E32-354	9.0mm	9.0 - 8.0mm
E32-393	10.0mm	10.0 - 9.0mm
E32-433	11.0mm	11.0 - 10.0mm
E32-452	11.5mm	11.5 - 10.5mm
E32-472	12.0mm	12.0 - 11.0mm
E32-511	13.0mm	13.0 - 12.0mm
E32-551	14.0mm	14.0 - 13.0mm
E32-590	15.0mm	15.0 - 14.0mm
E32-629	16.0mm	16.0 - 15.0mm
E32-669	17.0mm	17.0 - 16.0mm
E32-708	18.0mm	18.0 - 17.0mm
E32-748	19.0mm	19.0 - 18.0mm
E32-767	19.5mm	19.5 - 18.5mm
E32-787	20.0mm	20.0 - 19.0mm

### ER32 Collet Sets

E32-SET-21	21 Piece Set: 1/8" - 3/4" by 1/32nds
E32-SET-18-MM	18 Piece Set: 2.0 - 20.0mm by 1.0mm

Note: See dimensional data for ER32 Collets on page 41.

### Inch Coolant-Thru

Part Number	Size	Collapse Range
E32-016(C)	1/4"	0.250 - 0.234"
E32-017(C)	17/64"	0.266 - 0.250"
E32-018(C)	9/32"	0.281 - 0.266"
E32-019(C)	19/64"	0.297 - 0.281"
E32-020(C)	5/16"	0.312 - 0.297"
E32-021(C)	21/64"	0.328 - 0.312"
E32-022(C)	11/32"	0.344 - 0.328"
E32-023(C)	23/64"	0.359 - 0.344"
E32-024(C)	3/8"	0.375 - 0.359"
E32-025(C)	25/64"	0.391 - 0.375"
E32-026(C)	13/32"	0.406 - 0.391"
E32-027(C)	27/64"	0.422 - 0.406"
E32-028(C)	7/16"	0.437 - 0.422"
E32-029(C)	29/64"	0.453 - 0.437"
E32-030(C)	15/32"	0.469 - 0.453"
E32-031(C)	31/64"	0.484 - 0.469"
E32-032(C)	1/2"	0.500 - 0.484"
E32-033(C)	33/64"	0.516 - 0.500"
E32-034(C)	17/32"	0.531 - 0.516"
E32-035(C)	35/64"	0.547 - 0.531"
E32-036(C)	9/16"	0.563 - 0.547"
E32-037(C)	37/64"	0.578 - 0.563"
E32-038(C)	19/32"	0.594 - 0.578"
E32-039(C)	39/64"	0.609 - 0.594"
E32-040(C)	5/8"	0.625 - 0.609"
E32-041(C)	41/64"	0.641 - 0.625"
E32-042(C)	21/32"	0.656 - 0.641"
E32-043(C)	43/64"	0.672 - 0.656"
E32-044(C)	11/16"	0.688 - 0.672"
E32-045(C)	45/64"	0.703 - 0.688"
E32-046(C)	23/32"	0.719 - 0.703"
E32-047(C)	47/64"	0.734 - 0.719"
E32-048(C)	3/4"	0.750 - 0.734"
E32-049(C)	49/64"	0.766 - 0.750"
E32-050(C)	25/32"	0.781 - 0.766"

### Metric Coolant-Thru

Part Number	Size	Collapse Range
E32-393(C)	10.0mm	10.0 - 9.5mm
E32-413(C)	10.5mm	10.5 - 10.0mm
E32-433(C)	11.0mm	11.0 - 10.5mm
E32-452(C)	11.5mm	11.5 - 11.0mm
E32-472(C)	12.0mm	12.0 - 11.5mm
E32-492(C)	12.5mm	12.5 - 12.4mm
E32-511(C)	13.0mm	13.0 - 12.9mm
E32-531(C)	13.5mm	13.5 - 13.0mm
E32-551(C)	14.0mm	14.0 - 13.5mm
E32-570(C)	14.5mm	14.5 - 14.4mm
E32-590(C)	15.0mm	15.0 - 14.9mm
E32-610(C)	15.5mm	15.5 - 15.4mm
E32-629(C)	16.0mm	16.0 - 15.5mm
E32-649(C)	16.5mm	16.5 - 16.0mm
E32-669(C)	17.0mm	17.0 - 16.5mm
E32-688(C)	17.5mm	17.5 - 17.0mm
E32-708(C)	18.0mm	18.0 - 17.5mm
E32-728(C)	18.5mm	18.5 - 18.0mm
E32-748(C)	19.0mm	19.0 - 18.5mm
E32-767(C)	19.5mm	19.5 - 19.0mm
E32-787(C)	20.0mm	20.0 - 19.5mm

### ER32 Coolant Collet Sets

E32-SET-17(C)	17 Piece Set: 1/4" - 3/4" by 1/32nds
E32-SET-21(C)-MM	21 Piece Set: 10.0 - 20.0mm by 0.5mm

## ER40 Collets



### Precision Standard

Precision slots allow for even distribution of clamping pressure and minimal run out.

Size range: 5/32 - 1"  
(0.156 - 1.000")

Size range: 4.0 - 26.0mm  
(0.157 - 1.024")

### Inch

Part Number	Size	Collapse Range	Part Number	Size	Collapse Range
E40-010	5/32"	0.156 - 0.125"	E40-157	4.0mm	4.0 - 3.0mm
E40-012	3/16"	0.187 - 0.156"	E40-196	5.0mm	5.0 - 4.0mm
E40-014	7/32"	0.219 - 0.187"	E40-236	6.0mm	6.0 - 5.0mm
E40-016	1/4"	0.250 - 0.219"	E40-275	7.0mm	7.0 - 6.0mm
E40-018	9/32"	0.281 - 0.250"	E40-314	8.0mm	8.0 - 7.0mm
E40-020	5/16"	0.312 - 0.281"	E40-354	9.0mm	9.0 - 8.0mm
E40-022	11/32"	0.344 - 0.312"	E40-393	10.0mm	10.0 - 9.0mm
E40-024	3/8"	0.375 - 0.344"	E40-433	11.0mm	11.0 - 10.0mm
E40-026	13/32"	0.406 - 0.375"	E40-452	11.5mm	11.5 - 10.5mm
E40-028	7/16"	0.437 - 0.406"	E40-472	12.0mm	12.0 - 11.0mm
E40-030	15/32"	0.469 - 0.437"	E40-511	13.0mm	13.0 - 12.0mm
E40-032	1/2"	0.500 - 0.469"	E40-551	14.0mm	14.0 - 13.0mm
E40-034	17/32"	0.531 - 0.500"	E40-590	15.0mm	15.0 - 14.0mm
E40-036	9/16"	0.563 - 0.531"	E40-629	16.0mm	16.0 - 15.0mm
E40-038	19/32"	0.594 - 0.563"	E40-669	17.0mm	17.0 - 16.0mm
E40-040	5/8"	0.625 - 0.594"	E40-708	18.0mm	18.0 - 17.0mm
E40-042	21/32"	0.656 - 0.625"	E40-748	19.0mm	19.0 - 18.0mm
E40-044	11/16"	0.688 - 0.656"	E40-767	19.5mm	19.5 - 18.5mm
E40-046	23/32"	0.719 - 0.688"	E40-787	20.0mm	20.0 - 19.0mm
E40-048	3/4"	0.750 - 0.719"	E40-826	21.0mm	21.0 - 20.0mm
E40-050	25/32"	0.781 - 0.750"	E40-866	22.0mm	22.0 - 21.0mm
E40-052	13/16"	0.813 - 0.781"	E40-905	23.0mm	23.0 - 22.0mm
E40-054	27/32"	0.844 - 0.813"	E40-944	24.0mm	24.0 - 23.0mm
E40-056	7/8"	0.875 - 0.844"	E40-984	25.0mm	25.0 - 24.0mm
E40-058	29/32"	0.906 - 0.875"	E40-1023	26.0mm	26.0 - 25.0mm
E40-060	15/16"	0.938 - 0.906"			
E40-062	31/32"	0.969 - 0.938"			
E40-064	1"	1.000 - 0.969"			

### ER40 Collet Sets

E40-SET-25	25 Piece Set 1/4" - 1" by 1/32nds
E40-SET-23-MM	23 Piece Set 4.0mm - 26.0mm by 1.0mm

Note: See dimensional data for ER40 Collets on page 41.



### Coolant-Thru

Our patented Coolant Collets are designed for use with cylindrical shank tools (no flats). Cutting tool should be inserted the full length of the collet. If these conditions are not met, coolant leakage may result. Seals up to maximum coolant pressure of 1000 psi.

Size range: 5/16 - 1"  
(0.312 - 1.000")

Size range: 10.0 - 26.0mm  
(0.394 - 1.024")

### Inch Coolant-Thru

Part Number	Size	Collapse Range
E40-020(C)	5/16"	0.312 - 0.297"
E40-024(C)	3/8"	0.375 - 0.359"
E40-028(C)	7/16"	0.437 - 0.422"
E40-032(C)	1/2"	0.500 - 0.484"
E40-036(C)	9/16"	0.563 - 0.547"
E40-040(C)	5/8"	0.625 - 0.609"

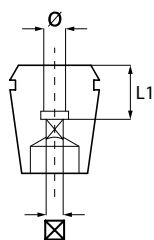
### Metric Coolant-Thru

Part Number	Size	Collapse Range
E40-393(C)	10.0mm	10.0 - 9.5mm
E40-413(C)	10.5mm	10.5 - 10.0mm
E40-433(C)	11.0mm	11.0 - 10.5mm
E40-452(C)	11.5mm	11.5 - 11.0mm
E40-472(C)	12.0mm	12.0 - 11.5mm
E40-492(C)	12.5mm	12.5 - 12.0mm
E40-511(C)	13.0mm	13.0 - 12.5mm
E40-531(C)	13.5mm	13.5 - 13.0mm
E40-551(C)	14.0mm	14.0 - 13.5mm
E40-570(C)	14.5mm	14.5 - 14.0mm
E40-590(C)	15.0mm	15.0 - 14.5mm
E40-610(C)	15.5mm	15.5 - 15.0mm
E40-629(C)	16.0mm	16.0 - 15.5mm
E40-649(C)	16.5mm	16.5 - 16.0mm
E40-669(C)	17.0mm	17.0 - 16.5mm
E40-688(C)	17.5mm	17.5 - 17.0mm
E40-708(C)	18.0mm	18.0 - 17.5mm
E40-728(C)	18.5mm	18.5 - 18.0mm
E40-748(C)	19.0mm	19.0 - 18.5mm
E40-767(C)	19.5mm	19.5 - 19.0mm
E40-787(C)	20.0mm	20.0 - 19.5mm
E40-807(C)	20.5mm	20.5 - 20.0mm
E40-826(C)	21.0mm	21.0 - 20.5mm
E40-846(C)	21.5mm	21.5 - 21.0mm
E40-866(C)	22.0mm	22.0 - 21.5mm
E40-885(C)	22.5mm	22.5 - 22.0mm
E40-905(C)	23.0mm	23.0 - 22.5mm
E40-925(C)	23.5mm	23.5 - 23.0mm
E40-944(C)	24.0mm	24.0 - 23.5mm
E40-964(C)	24.5mm	24.5 - 24.0mm
E40-984(C)	25.0mm	25.0 - 24.5mm
E40-1003(C)	25.5mm	25.5 - 25.0mm
E40-1023(C)	26.0mm	26.0 - 25.0mm

### ER40 Coolant Collet Sets

E40-SET-33(C)-MM	33 Piece Set 10.0mm - 26.0mm by 0.5mm
------------------	---------------------------------------

## ER Tap Collets

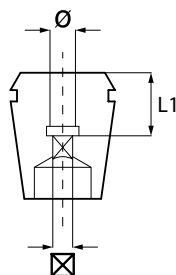


ER Tap Collets feature a unique design that incorporates an internal square drive with our popular ER Series Collets. The square drive matches the tap square, providing a tight fit for all rigid tapping applications.

*Note: Diameter and Square size are in accordance with U.S. Standard Taps.*

Part Number	ER Series	Tap Inch Style	Tap Metric Size	L1 (mm)	∅	⊠
ET16-168	ER16	#8, 5/32"	M4	15	0.168"	0.131"
ET16-194	ER16	#10, 3/16"	M4.5, M5	15	0.194"	0.152"
ET16-220	ER16	#12, 7/32"	-	15	0.220"	0.165"
ET16-255	ER16	#14, 1/4"	M6, M6.5	22	0.255"	0.191"
ET20-168	ER20	#8, 5/32"	M4	15	0.168"	0.131"
ET20-194	ER20	#10, 3/16"	M4.5, M5	15	0.194"	0.152"
ET20-220	ER20	#12, 7/32"	-	15	0.220"	0.165"
ET20-255	ER20	#14, 1/4"	M6, M6.5	20	0.255"	0.191"
ET20-318	ER20	5/16"	M7, M6.5, M8	20	0.318"	0.238"
ET20-323	ER20	7/16"	-	20	0.323"	0.242"
ET20-367	ER20	1/2"	M12, M12.5	25	0.367"	0.275"
ET20-381	ER20	3/8"	M10	20	0.381"	0.286"
ET25-168	ER25	#8, 5/32"	M4	15	0.168"	0.131"
ET25-194	ER25	#10, 3/16"	M4.5, M5	15	0.194"	0.152"
ET25-220	ER25	#12, 7/32"	-	15	0.220"	0.165"
ET25-255	ER25	#14, 1/4"	M6, M6.5	20	0.255"	0.191"
ET25-318	ER25	5/16"	M7, M6.5, M8	20	0.318"	0.238"
ET25-323	ER25	7/16"	-	20	0.323"	0.242"
ET25-367	ER25	1/2"	M12, M12.5	25	0.367"	0.275"
ET25-381	ER25	3/8"	M10	20	0.381"	0.286"
ET25-429	ER25	9/16"	M14	25	0.429"	0.322"
ET25-437	ER25	1/8" NPT(L)	-	18	0.437"	0.328"
ET25-480	ER25	5/8"	M16	25	0.480"	0.360"
ET32-168	ER32	#8, 5/32"	M4	15	0.168"	0.131"
ET32-194	ER32	#10, 3/16"	M4.5, M5	15	0.194"	0.152"
ET32-220	ER32	#12, 7/32"	-	15	0.220"	0.165"
ET32-255	ER32	#14, 1/4"	M6, M6.5	20	0.255"	0.191"
ET32-318	ER32	5/16"	M7, M6.5, M8	20	0.318"	0.238"
ET32-323	ER32	7/16"	-	20	0.323"	0.242"
ET32-367	ER32	1/2"	M12, M12.5	25	0.367"	0.275"
ET32-381	ER32	3/8"	M10	20	0.381"	0.286"
ET32-429	ER32	9/16"	M14	25	0.429"	0.322"
ET32-437	ER32	1/8" NPT	-	18	0.437"	0.328"
ET32-480	ER32	5/8"	M16	25	0.480"	0.360"
ET32-542	ER32	1 1/16"	M18	30	0.542"	0.406"
ET32-562	ER32	1/4" NPT	-	18	0.562"	0.421"
ET32-590	ER32	3/4"	-	30	0.590"	0.442"
ET32-652	ER32	13/16"	M20	30	0.652"	0.489"
ET40-255	ER40	#14, 1/4"	M6, M6.5	25	0.255"	0.191"
ET40-318	ER40	5/16"	M7, M6.5, M8	25	0.318"	0.238"
ET40-323	ER40	7/16"	-	25	0.323"	0.242"
ET40-367	ER40	1/2"	M12, M12.5	25	0.367"	0.275"
ET40-381	ER40	3/8"	M10	25	0.381"	0.286"
ET40-429	ER40	9/16"	M14	25	0.429"	0.322"
ET40-437	ER40	1/8" NPT	-	18	0.437"	0.328"
ET40-480	ER40	5/8"	M16	25	0.480"	0.360"
ET40-542	ER40	1 1/16"	M18	30	0.542"	0.406"
ET40-562	ER40	1/4" NPT	-	18	0.562"	0.421"
ET40-590	ER40	3/4"	-	30	0.590"	0.442"
ET40-652	ER40	13/16"	M20	30	0.652"	0.489"
ET40-687	ER40	1/2" NPT	-	18	0.687"	0.515"
ET40-697	ER40	7/8"	M22	30	0.697"	0.523"
ET40-700	ER40	3/8" NPT	-	18	0.700"	0.531"
ET40-760	ER40	15/16"	M24	35	0.760"	0.570"
ET40-800	ER40	1"	M25	35	0.800"	0.600"

## ER Tap Coolant Collets



Lyndex-Nikken has now combined the versatility of our ER Tapping Collets with the popularity of our Coolant Collets to create our patented ER Coolant Tap Collets.

*Note: Diameter and Square size are in accordance with U.S. Standard Taps.*

Part Number	ER Series	Tap Inch Style	Tap Metric Size	L1 (mm)	ø	⊠
ET16-255(C)	ER16	#14, 1/4"	M6, M6.5	22	0.255"	0.191"
ET16-318(C)	ER16	5/16"	M7, M6.5, M8	22	0.318"	0.238"
ET20-255(C)	ER20	#14, 1/4"	M6, M6.5	25	0.255"	0.191"
ET20-318(C)	ER20	5/16"	M7, M6.5, M8	25	0.318"	0.238"
ET20-323(C)	ER20	7/16"	-	25	0.323"	0.242"
ET20-367(C)	ER20	1/2"	M12, M12.5	25	0.367"	0.275"
ET20-381(C)	ER20	3/8"	M10	25	0.381"	0.286"
ET25-255(C)	ER25	#14, 1/4"	M6, M6.5	25	0.255"	0.191"
ET25-318(C)	ER25	5/16"	M7, M6.5, M8	25	0.318"	0.238"
ET25-323(C)	ER25	7/16"	-	25	0.323"	0.242"
ET25-367(C)	ER25	1/2"	M12, M12.5	25	0.367"	0.275"
ET25-381(C)	ER25	3/8"	M10	27	0.381"	0.286"
ET25-429(C)	ER25	9/16"	M14	25	0.429"	0.322"
ET25-480(C)	ER25	5/8"	M16	30	0.480"	0.360"
ET32-255(C)	ER32	#14, 1/4"	M6, M6.5	30	0.255"	0.191"
ET32-318(C)	ER32	5/16"	M7, M6.5, M8	25	0.318"	0.238"
ET32-323(C)	ER32	7/16"	-	25	0.323"	0.242"
ET32-367(C)	ER32	1/2"	M12, M12.5	25	0.367"	0.275"
ET32-381(C)	ER32	3/8"	M10	27	0.381"	0.286"
ET32-429(C)	ER32	9/16"	M14	25	0.429"	0.322"
ET32-480(C)	ER32	5/8"	M16	30	0.480"	0.360"
ET32-542(C)	ER32	11/16"	M18	30	0.542"	0.406"
ET32-590(C)	ER32	3/4"	-	35	0.590"	0.442"
ET32-652(C)	ER32	13/16"	M20	35	0.652"	0.489"
ET40-323(C)	ER40	7/16"	-	35	0.323"	0.242"
ET40-367(C)	ER40	1/2"	M12, M12.5	25	0.367"	0.275"
ET40-381(C)	ER40	3/8"	M10	27	0.381"	0.286"
ET40-429(C)	ER40	9/16"	M14	25	0.429"	0.322"
ET40-480(C)	ER40	5/8"	M16	30	0.480"	0.360"
ET40-542(C)	ER40	11/16"	M18	30	0.542"	0.406"
ET40-590(C)	ER40	3/4"	-	35	0.590"	0.442"
ET40-652(C)	ER40	13/16"	M20	35	0.652"	0.489"
ET40-697(C)	ER40	7/8"	M22	35	0.697"	0.523"
ET40-760(C)	ER40	15/16"	M24	38	0.760"	0.570"
ET40-800(C)	ER40	1"	M25	38	0.800"	0.600"

*Note: Seals up to a maximum coolant pressure of 1000 psi.*

## ER Collet Chuck Accessories

### ER Collet Rack

Part Number	Description
RACK-ER11/SK6	ER11 Collet Rack, 35 collet capacity
RACK-ER20/1TAP	ER20 Collet Rack, 24 collet capacity
RACK-180DA/SK16/ER25	ER25 Collet Rack, 30 collet capacity
RACK-ER32/2TAP	ER32 Collet Rack, 24 collet capacity
RACK-ER40	ER40 Collet Rack, 24 collet capacity



### Replacement Nut for ER Collet Chuck

Part Number	Description
08-NANUT	ER8 Nut
E11-NUT	ER11 Hex Nut
E16-NUT	ER16 Nut
O16-NUT	ER16 Hex Nut
E20-NUT	ER20 Nut
E25-NUT	ER25 Nut
E32-NUT	ER32 Nut
E32-NUT-ST	ER32 Nut (Short) for C5057-0032-12.00
E40-NUT	ER40 Nut
E40-NUT-ST	ER40 Nut (Short) for C5057-0040-12.00



### Spanner Wrench for ER Collet Chuck Nut

Part Number	Description
08-NASPAN	Wrench for ER8 Chuck Nut
O11-HEX	Wrench for ER11 Chuck Nut
O16-SPAN	Wrench for ER16 Chuck Nut
O20-SPAN	Wrench for ER20 Chuck Nut
O25-SPAN	Wrench for ER25 Chuck Nut
O32-SPAN	Wrench for ER32 Chuck Nut
O40-SPAN	Wrench for ER40 Chuck Nut



## ER Collet Chuck Accessories

### Torque Wrench and Attachment for ER Collet Chuck Nut

Part Number	Description
TQW-025	Torque Wrench for ER8 Chuck Nut
TQW-150	Torque Wrench for ER11/16/20/25/32/40 Chuck Nut
TQW-ER08	ER8 Attachment for TQW-025 Torque Wrench
TQW-ER11(17)	ER11 Attachment for TQW-150 Torque Wrench
TQW-ER16(32)	ER16 Attachment for TQW-150 Torque Wrench
TQW-ER20(32)	ER20 Attachment for TQW-150 Torque Wrench
TQW-ER25(43)	ER25 Attachment for TQW-150 Torque Wrench
TQW-ER32(50)	ER32 Attachment for TQW-150 Torque Wrench
TQW-ER40(63)	ER40 Attachment for TQW-150 Torque Wrench

Note: (XX) Denotes nut diameter.



### Replacement Back Up Screws for ER Collet Chuck

Part Number	Description
ER8-3	ER8 Backup Screws
ER8-3 (C)	ER8 Coolant-thru Backup Screws
ER11-3	ER11 Backup Screws*
ER11-3 (C)	ER11 Coolant-thru Backup Screws*
ER16-3	ER16 Backup Screws
ER16-3 (C)	ER16 Coolant-thru Backup Screws
ER20-3	ER20 Backup Screws
ER20-3 (C)	ER20 Coolant-thru Backup Screws
ER25-3	ER25 Backup Screws
ER25-3 (C)	ER25 Coolant-thru Backup Screws
ER32-3	ER32 Backup Screws
ER32-3 (C)	ER32 Coolant-thru Backup Screws
ER40-3	ER40 Backup Screws
ER40-3 (C)	ER40 Coolant-thru Backup Screws

Note: \*ER11-3 can also be used with ER16 Collet Chuck Extension.



### Coolant Tube Wrench for HSK Holders

Part Number	Description
HSK40-WRENCH	Wrench for HSK40 Coolant Tube
HSK63-WRENCH	Wrench for HSK63 Coolant Tube
HSK100-WRENCH	Wrench for HSK100 Coolant Tube

Note: Coolant Tube Wrenches are needed to remove or install coolant tubes in HSK toolholders.



### Coolant Tube for HSK Holders

Part Number	Description
HSK40-TUBE	Coolant Tube for HSK40 holder
HSK63-TUBE	Coolant Tube for HSK63 holder
HSK100-TUBE	Coolant Tube for HSK100 holder



# ADVANCED TOOLHOLDERS

## SK COLLET CHUCKS

*LEAN, TOUGH AND EFFICIENT (Pages 9-38)*

- Narrow body design accesses tight spots.
- Applicable for all milling, drilling, reaming and rigid tapping applications.
- Two times more accurate than ER Collet Chucks, within 10 times better repeatability.
- Over 1 million SK Collet Chucks and 15 million SK collets sold worldwide.



## VC COLLET CHUCKS

*ULTRA PERFORMANCE (Pages 63-74)*

- Extremely precise with 0.00012" or less concentricity guarantee with any collet.
- Ideal for high-speed machining, thread milling, ultra precision reaming.
- Two times more accurate than ER Collet Chucks, within 10 times better repeatability.



## SHRINK FIT HOLDERS

*HIGH ACCURACY WITH OPTIMAL CLEARANCE (Pages 83-96)*

- Shrink fit holders provide minimal run out.
- Pre-balanced for up to 40,000 RPM.
- Excellent surface finish, extreme gripping and ideal for high-speed applications.
- Increase cutting tool life, material removal rate and workpiece accuracy.







## VC Collet Chuck Features

### ULTRA PERFORMANCE

**Extremely precise:** 0.00012" or less concentricity guarantee with any collet

**Extremely efficient:** Ideal for high-speed machining, thread milling, ultra precision reaming

**Flexible:** Covers sizes from 0.079" to 0.5"

**Extremely accurate:** Double the accuracy over ER Collet Chucks, with 10 times better repeatability

**8° versus 16° collet taper:** Double the gripping power of ER Collet Chucks



#### Coolant-Thru Disc:

A perfect seal is formed between the nut and the coolant-thru disk. Ideal for coolant-thru tools.



#### Coolant-Thru Capabilities:

Jet Coolant Splash with J-Type Nut



#### Slotted Disc:

The jet coolant pressure creates a tornado effect, ensuring efficient swarf disposal.



## VC Collet Chuck Features

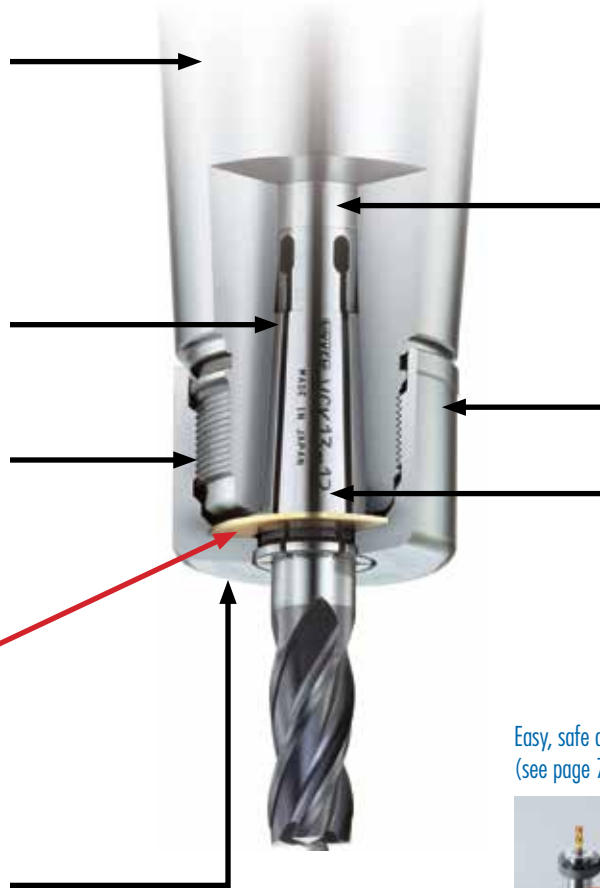
The thick wall design of the VC holder body improves cutting rigidity

8° internal taper collet for greater accuracy and clamping capability

The ground ion nitrided thread of collet chuck highly improves the torque and accuracy

**TIN BEARING NUT**  
(Hardness: HV2,200)  
US Patent 6923451  
Reduces friction to minimize runout caused by collet twisting

Collet compression force is perpendicular to the centerline of collet bore maximizing run out accuracy and gripping strength



Ground pilot helps centralize the collet while giving additional length support on the cutting tool

Symmetrical and simple external nut design without notches for ultra high speed rotation

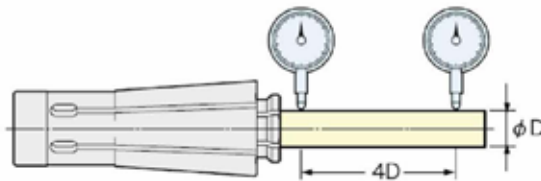
Extended Collet to minimize runout and to increase surface area contact of tooling

Easy, safe and reliable handling with GH wrench (see page 74)



### High Runout Accuracy:

**Within 0.00012" at 4 times the diameter of the cutting tool!**  
This produces better stability and improves surface finish and cutting tool life.



### VC Collet Range:



VCK6: 2-6mm (1/8"-1/4")  
VCK13: 3-12mm (1/8"-1/2")

### VC Collet vs. Others:



#### VCK Collet

- Runout: 0.0001"
- 170N.m gripping power



#### ER Collet

- Runout: 0.0004"
- 80N.m gripping power



#### TG Collet

- Runout: 0.0003"
- 100N.m gripping power

**CAT VC Collet Chucks**

- Feature TiN Bearing Nut which considerably improves cutting rigidity and finish
- Extra thick body for aggressive milling
- High concentricity and repeatability
- Ideal for high-speed applications



**T.I.R.:** <0.00012" or better



**Speed:** up to 40,000 RPM



**Set-up:** quick and easy



**Coolant-Thru:** thru-tool coolant



Milling



Tapping



Drilling



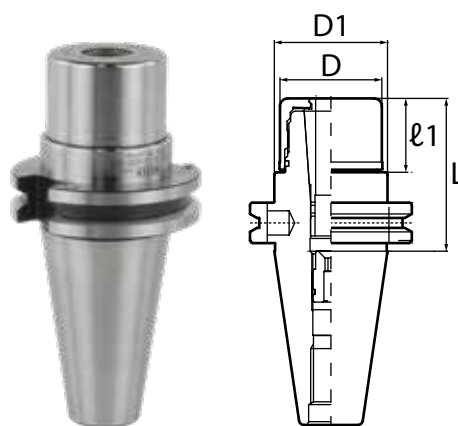
Reaming

Please note that the maximum RPM listed in our catalog may vary depending on the toolholder shank, weight, balanceability and the G rating.

**CAT40**

Part Number	Collet Size	Collet Range	Wrench	L	ℓ1	D	D1	Back-up Screw
CAT40-VC6-60U	VCK6	0.125 - 0.250"	GH10	2.362"	0.906"	1.083"	1.083"	VCG6-8A
CAT40-VC6-90U	VCK6	0.125 - 0.250"	GH10	3.543"	2.047"	1.083"	1.244"	VCG6-8A
CAT40-VC6-120U	VCK6	0.125 - 0.250"	GH10	4.724"	3.228"	1.083"	1.409"	VCG6-8A
CAT40-VC13-60U	VCK13	0.125 - 0.500"	GH16	2.362"	1.142"	1.575"	1.575"	VCG13-15A
CAT40-VC13-90U	VCK13	0.125 - 0.500"	GH16	3.543"	2.756"	1.575"	1.083"	VCG13-15A
CAT40-VC13-120U	VCK13	0.125 - 0.500"	GH16	4.724"	3.937"	1.575"	1.083"	VCG13-15A

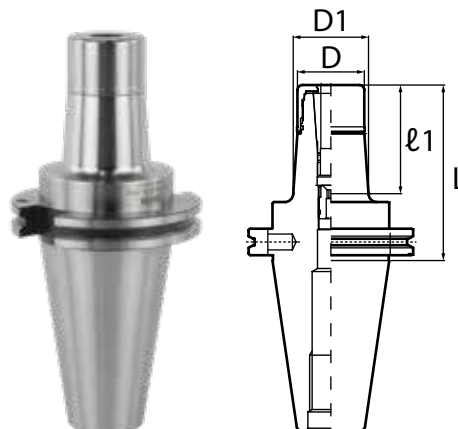
Notes: Wrenches are sold separately.



**CAT50**

Part Number	Collet Size	Collet Range	Wrench	L	ℓ1	D	D1	Back-up Screw
CAT50-VC6-105U	VCK6	0.125 - 0.250"	GH10	4.134"	2.559"	1.083"	1.315"	VCG6-8A
CAT50-VC6-135U	VCK6	0.125 - 0.250"	GH10	5.315"	3.740"	1.083"	1.480"	VCG6-8A
CAT50-VC6-165U	VCK6	0.125 - 0.250"	GH10	6.496"	4.921"	1.083"	1.646"	VCG6-8A
CAT50-VC13-105U	VCK13	0.125 - 0.500"	GH16	4.134"	2.559"	1.575"	1.772"	VCG13-15A
CAT50-VC13-135U	VCK13	0.125 - 0.500"	GH16	5.315"	3.740"	1.575"	1.937"	VCG13-15A
CAT50-VC13-165U	VCK13	0.125 - 0.500"	GH16	6.496"	4.921"	1.575"	2.102"	VCG13-15A

Notes: Wrenches are sold separately.



Available in  
**TAPER PLUS**  
Dual-taper and flange contact available.

See page 70



**TAPER PLUS  
COMBINING TAPER ACCURACY  
WITH FLANGE RIGIDITY!**

- Outstanding Runout Accuracy for longer tool life
- Vibration Dampening for increased productivity
- High Rigidity for smooth and stable cutting



## BT VC Collet Chucks



**T.I.R.:** <0.00012" or better



**Speed:** up to 40,000 RPM



**Set-up:** quick and easy



**Coolant-Thru:** thru-tool coolant



Milling



Tapping



Drilling



Reaming

- Feature TiN Bearing Nut which considerably improves cutting rigidity and finish
- Extra thick body for aggressive milling
- High concentricity and repeatability
- Ideal for high-speed applications

Please note that the maximum RPM listed in our catalog may vary depending on the toolholder shank, weight, balanceability and the G rating.

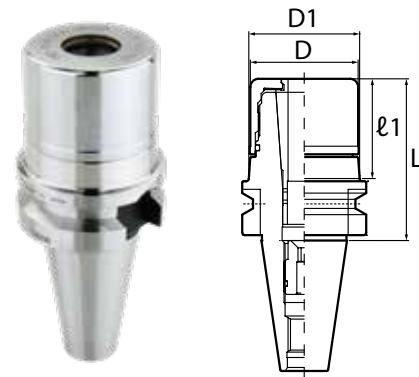
### BT30

Part Number	Collet Size	Collet Range	Wrench	L	ℓ1	D	D1	Back-up Screw
BT30-VC6-45	VCK6	0.125 - 0.250"	GH10	1.772"	0.906"	1.083"	1.083"	VCG6-8A
BT30-VC6-60	VCK6	0.125 - 0.250"	GH10	2.362"	1.378"	1.083"	1.248"	VCG6-8A
BT30-VC6-90	VCK6	0.125 - 0.250"	GH10	3.543"	2.559"	1.083"	1.315"	VCG6-8A
BT30-VC13-60	VCK13	0.125 - 0.500"	GH16	2.362"	1.457"	1.575"	1.618"	VCG13-15A
BT30-VC13-90	VCK13	0.125 - 0.500"	GH16	3.543"	2.638"	1.575"	1.626"	VCG13-15A
BT30-VC13-120	VCK13	0.125 - 0.500"	GH16	4.724"	3.819"	1.575"	1.669"	VCG13-15A

Note: Wrenches are sold separately.



Available in **TAPER PLUS** <sup>+</sup> Dual-taper and flange contact



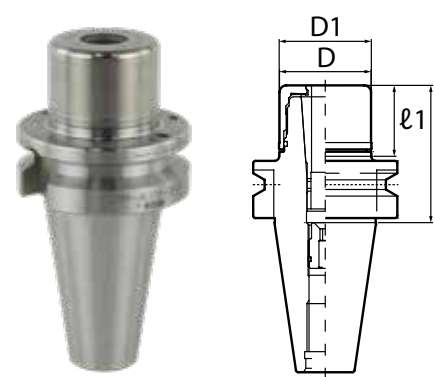
### BT40

Part Number	Collet Size	Collet Range	Wrench	L	ℓ1	D	D1	Back-up Screw
BT40-VC6-60	VCK6	0.125 - 0.250"	GH10	2.362"	1.181"	1.083"	1.181"	VCG6-8A
BT40-VC6-90	VCK6	0.125 - 0.250"	GH10	3.543"	2.362"	1.083"	1.287"	VCG6-8A
BT40-VC6-120	VCK6	0.125 - 0.250"	GH10	4.724"	3.543"	1.083"	1.452"	VCG6-8A
BT40-VC13-60	VCK13	0.125 - 0.500"	GH16	2.362"	1.220"	1.575"	1.586"	VCG13-15A
BT40-VC13-90	VCK13	0.125 - 0.500"	GH16	3.543"	2.362"	1.575"	1.744"	VCG13-15A
BT40-VC13-120	VCK13	0.125 - 0.500"	GH16	4.724"	3.543"	1.575"	1.909"	VCG13-15A

Note: Wrenches are sold separately.



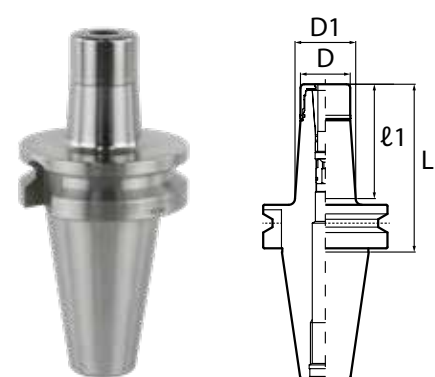
Available in **TAPER PLUS** <sup>+</sup> Dual-taper and flange contact



### BT50

Part Number	Collet Size	Collet Range	Wrench	L	ℓ1	D	D1	Back-up Screw
BT50-VC6-105	VCK6	0.125 - 0.250"	GH10	4.134"	2.441"	1.083"	1.299"	VCG6-8A
BT50-VC6-135	VCK6	0.125 - 0.250"	GH10	5.315"	3.622"	1.083"	1.461"	VCG6-8A
BT50-VC6-165	VCK6	0.125 - 0.250"	GH10	6.496"	4.803"	1.083"	1.626"	VCG6-8A
BT50-VC13-105	VCK13	0.125 - 0.500"	GH16	4.134"	2.441"	1.575"	1.756"	VCG13-15A
BT50-VC13-135	VCK13	0.125 - 0.500"	GH16	5.315"	3.622"	1.575"	1.921"	VCG13-15A
BT50-VC13-165	VCK13	0.125 - 0.500"	GH16	6.496"	4.803"	1.575"	1.890"	VCG13-15A

Note: Wrenches are sold separately.



VCK Collets  
Page 72



Nut Wrench  
Page 74



Back-up screw  
Page 74



Coolant-thru Nut  
Page 74

## HSK VC Collet Chucks

- Feature TiN Bearing Nut which considerably improves cutting rigidity and finish
- Extra thick body for aggressive milling
- High concentricity and repeatability
- Ideal for high-speed applications



**T.I.R.:** <0.00012" or better



**Speed:** up to 40,000 RPM



**Set-up:** quick and easy



**Coolant-Thru:** thru-tool coolant



Milling



Tapping



Drilling



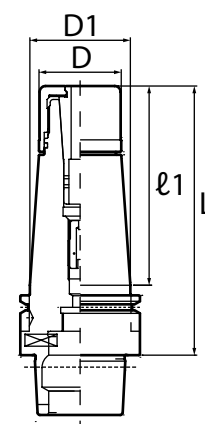
Reaming

Please note that the maximum RPM listed in our catalog may vary depending on the toolholder shank, weight, balanceability and the G rating.

### HSK40A

Part Number	Collet Size	Collet Range	Wrench	L	ℓ1	D	D1	Back-up Screw
HSK40A-VC6-65	VCK6	0.125 - 0.250"	GH10	2.559"	1.693"	1.083"	1.362"	VCG6-8A
HSK40A-VC6-90	VCK6	0.125 - 0.250"	GH10	3.543"	2.677"	1.083"	1.330"	VCG6-8A
HSK40A-VC13-90	VCK13	0.125 - 0.500"	GH16	3.543"	2.756"	1.575"	1.575"	VCG13-15A
HSK40A-VC13-120	VCK13	0.125 - 0.500"	GH16	4.724"	3.937"	1.575"	1.575"	VCG13-15A

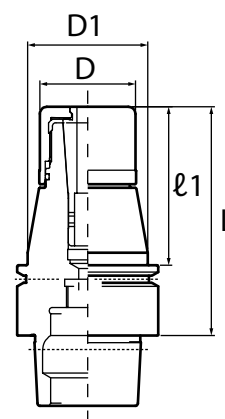
Note: Wrench, Coolant Tubes and Coolant Tube Wrenches are sold separately. See page 74 for more details.



### HSK40E

Part Number	Collet Size	Collet Range	Wrench	L	ℓ1	D	D1	Back-up Screw
HSK40E-VC6-65	VCK6	0.125 - 0.250"	GH10	2.559"	1.693"	1.083"	1.362"	VCG6-8A
HSK40E-VC6-90	VCK6	0.125 - 0.250"	GH10	3.543"	2.677"	1.083"	1.330"	VCG6-8A
HSK40E-VC13-90	VCK13	0.125 - 0.500"	GH16	3.543"	2.756"	1.575"	1.575"	VCG13-15A
HSK40E-VC13-120	VCK13	0.125 - 0.500"	GH16	4.724"	3.937"	1.575"	1.575"	VCG13-15A

Note: Wrench, Coolant Tubes and Coolant Tube Wrenches are sold separately. See page 74 for more details.



## HSK VC Collet Chucks



**T.I.R.:** <0.00012" or better



**Speed:** up to 40,000 RPM



**Set-up:** quick and easy



**Coolant-Thru:** thru-tool coolant



Milling



Tapping



Drilling



Reaming

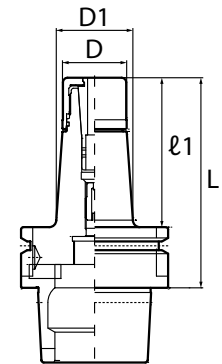
- Feature TiN Bearing Nut which considerably improves cutting rigidity and finish
- Extra thick body for aggressive milling
- High concentricity and repeatability
- Ideal for high-speed applications

Please note that the maximum RPM listed in our catalog may vary depending on the toolholder shank, weight, balanceability and the G rating.

### HSK63A

Part Number	Collet Size	Collet Range	Wrench	L	ℓ1	D	D1	Back-up Screw
HSK63A-VC6-70	VCK6	0.125 - 0.250"	GH10	2.760"	1.614"	1.083"	1.330"	VCG6-8A
HSK63A-VC6-90	VCK6	0.125 - 0.250"	GH10	2.540"	2.402"	1.083"	1.291"	VCG6-8A
HSK63A-VC6-120	VCK6	0.125 - 0.250"	GH10	4.724"	3.583"	1.083"	1.457"	VCG6-8A
HSK63A-VC13-90	VCK13	0.125 - 0.500"	GH16	3.543"	2.520"	1.575"	1.752"	VCG13-15A
HSK63A-VC13-120	VCK13	0.125 - 0.500"	GH16	4.724"	3.622"	1.575"	1.921"	VCG13-15A

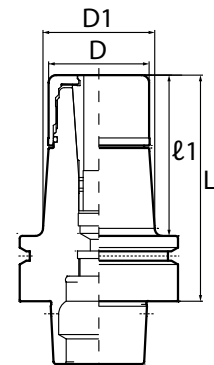
Note: Wrench, Coolant Tubes and Coolant Tube Wrenches are sold separately. See page 74 for more details.



### HSK63F

Part Number	Collet Size	Collet Range	Wrench	L	ℓ1	D	D1	Back-up Screw
HSK63F-VC6-65	VCK6	0.125 - 0.250"	GH10	2.559"	1.457"	1.083"	1.083"	VCG6-8A
HSK63F-VC6-90	VCK6	0.125 - 0.250"	GH10	3.543"	2.402"	1.083"	1.205"	VCG6-8A
HSK63F-VC6-120	VCK6	0.125 - 0.250"	GH10	4.724"	3.583"	1.083"	1.370"	VCG6-8A
HSK63F-VC13-90	VCK13	0.125 - 0.500"	GH16	3.543"	2.520"	1.575"	1.670"	VCG13-15A
HSK63F-VC13-120	VCK13	0.125 - 0.500"	GH16	4.724"	3.622"	1.575"	1.835"	VCG13-15A

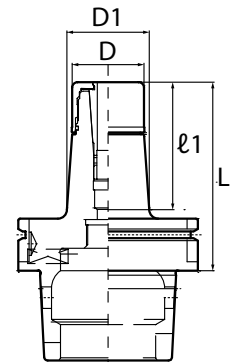
Note: Wrench, Coolant Tubes and Coolant Tube Wrenches are sold separately. See page 74 for more details.



### HSK100A

Part Number	Collet Size	Collet Range	Wrench	L	ℓ1	D	D1	Back-up Screw
HSK100A-VC6-105	VCK6	0.125 - 0.250"	GH10	4.134"	2.795"	1.083"	1.346"	VCG6-8A
HSK100A-VC6-135	VCK6	0.125 - 0.250"	GH10	5.315"	3.976"	1.083"	1.512"	VCG6-8A
HSK100A-VC6-165	VCK6	0.125 - 0.250"	GH10	6.496"	5.157"	1.083"	1.677"	VCG6-8A
HSK100A-VC13-105	VCK13	0.125 - 0.500"	GH16	4.134"	2.795"	1.575"	1.807"	VCG6-8A
HSK100A-VC13-135	VCK13	0.125 - 0.500"	GH16	5.315"	3.976"	1.575"	1.972"	VCG13-15A
HSK100A-VC13-165	VCK13	0.125 - 0.500"	GH16	6.496"	5.157"	1.575"	2.138"	VCG13-15A

Note: Wrench, Coolant Tubes and Coolant Tube Wrenches are sold separately. See page 74 for more details.



VCK Collets  
Page 72



Nut Wrench  
Page 74



Back-up screw  
Page 74



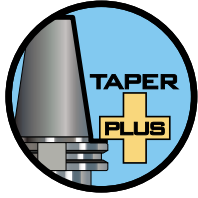
Coolant-thru Nut  
Page 74



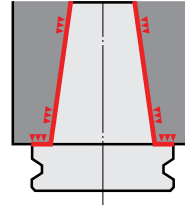
Coolant Tube  
Page 74

**Taper Plus CAT VC Collet Chucks**

**Taper Plus Advantages**



- Outstanding runout accuracy for longer tool life
- Vibration dampening for increased productivity
- High rigidity for smooth and stable cutting
- Interchangeable between standard and dual face contact spindles
- 53% more surface area contact than just the taper alone

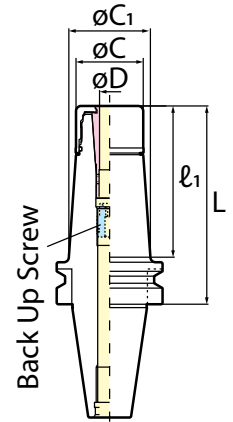


**Taper Plus - CAT40 VC6**

Part Number	Collet Series	Collet Range	Wrench	L	ℓ1	C	C1	D	Back Up Screw
NCAT40-VC6-60U	VC6	0.125 - 0.250"	GH10	2.362"	0.906"	1.083"	1.083"	0.078 - 0.236"	VCG6-8A
NCAT40-VC6-90U	VC6	0.125 - 0.250"	GH10	3.543"	2.047"	1.083"	1.244"	1.378 - 1.772"	VCG6-8A
NCAT40-VC6-120U	VC6	0.125 - 0.250"	GH10	4.724"	3.228"	1.083"	1.409"	1.378 - 1.772"	VCG6-8A

**Taper Plus - CAT40 VC13**

Part Number	Collet Series	Collet Range	Wrench	L	ℓ1	C	C1	D	Back Up Screw
NCAT40-VC13-60U	VC13	0.125 - 0.500"	GH16	2.362"	1.142"	1.575"	1.575"	0.125 - 0.500"	VCG13-15A
NCAT40-VC13-90U	VC13	0.125 - 0.500"	GH16	3.543"	2.756"	1.575"	1.750"	0.125 - 0.500"	VCG13-15A
NCAT40-VC13-120U	VC13	0.125 - 0.500"	GH16	4.724"	3.937"	1.575"	1.750"	0.125 - 0.500"	VCG13-15A



**Taper Plus - CAT50 VC6**

Part Number	Collet Series	Collet Range	Wrench	L	ℓ1	C	C1	D	Back Up Screw
NCAT50-VC6-105U	VC6	0.125 - 0.250"	GH10	4.134"	2.559"	1.083"	1.315"	0.078 - 0.236"	VCG6-8A
NCAT50-VC6-135U	VC6	0.125 - 0.250"	GH10	5.315"	3.740"	1.083"	1.480"	0.078 - 0.236"	VCG6-8A
NCAT50-VC6-165U	VC6	0.125 - 0.250"	GH10	6.496"	4.921"	1.083"	1.646"	0.078 - 0.236"	VCG6-8A

**Taper Plus - CAT50 VC13**

Part Number	Collet Series	Collet Range	Wrench	L	ℓ1	C	C1	D	Back Up Screw
NCAT50-VC13-105U	VC13	0.125 - 0.500"	GH16	4.134"	2.559"	1.575"	1.773"	0.125 - 0.500"	VCG13-15A
NCAT50-VC13-135U	VC13	0.125 - 0.500"	GH16	5.315"	3.740"	1.575"	1.938"	0.125 - 0.500"	VCG13-15A
NCAT50-VC13-165U	VC13	0.125 - 0.500"	GH16	6.496"	4.921"	1.575"	2.104"	0.125 - 0.500"	VCG13-15A

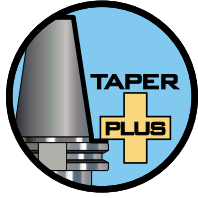
**Taper Plus Toolholders are interchangeable between Standard and Dual Face Contact spindles for greater flexibility!**



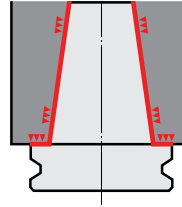


## Taper Plus BT VC Collet Chucks

### Taper Plus Advantages



- Outstanding runout accuracy for longer tool life
- Vibration dampening for increased productivity
- High rigidity for smooth and stable cutting
- Interchangeable between standard and dual face contact spindles
- 53% more surface area contact than just the taper alone

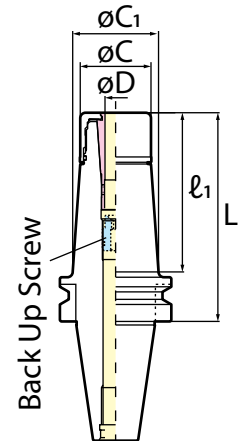


### Taper Plus - BT30 VC6

Part Number	Collet Series	Collet Range	Wrench	L	ℓ1	C	C1	D	Back Up Screw
NBT30-VC6-45	VC6	0.125 - 0.250"	GH10	1.772"	0.906"	1.083"	1.083"	0.078 - 0.236"	VCG6-8A
NBT30-VC6-60	VC6	0.125 - 0.250"	GH10	2.362"	1.378"	1.083"	1.248"	0.078 - 0.236"	VCG6-8A
NBT30-VC6-90	VC6	0.125 - 0.250"	GH10	3.543"	2.559"	1.083"	1.315"	0.078 - 0.236"	VCG6-8A

### Taper Plus - BT30 VC13

Part Number	Collet Series	Collet Range	Wrench	L	ℓ1	C	C1	D	Back Up Screw
NBT30-VC13-60	VC13	0.125 - 0.500"	GH16	2.362"	1.457"	1.575"	1.618"	0.125 - 0.500"	VCG13-15A
NBT30-VC13-90	VC13	0.125 - 0.500"	GH16	3.543"	2.638"	1.575"	1.626"	0.125 - 0.500"	VCG13-15A
NBT30-VC13-120	VC13	0.125 - 0.500"	GH16	4.724"	3.819"	1.575"	1.669"	0.125 - 0.500"	VCG13-15A



### Taper Plus - BT40 VC6

Part Number	Collet Series	Collet Range	Wrench	L	ℓ1	C	C1	D	Back Up Screw
NBT40-VC6-60	VC6	0.125 - 0.250"	GH10	2.362"	1.181"	1.083"	1.181"	0.078 - 0.236"	VCG6-8A
NBT40-VC6-90	VC6	0.125 - 0.250"	GH10	3.543"	2.362"	1.083"	1.287"	0.078 - 0.236"	VCG6-8A
NBT40-VC6-120	VC6	0.125 - 0.250"	GH10	4.724"	3.543"	1.083"	1.453"	0.078 - 0.236"	VCG6-8A
NBT40-VC6-150	VC6	0.125 - 0.250"	GH10	5.906"	4.488"	1.083"	1.750"	0.078 - 0.236"	VCG6-8A

### Taper Plus - BT40 VC13

Part Number	Collet Series	Collet Range	Wrench	L	ℓ1	C	C1	D	Back Up Screw
NBT40-VC13-60	VC13	0.125 - 0.500"	GH16	2.362"	1.220"	1.575"	1.587"	0.125 - 0.500"	VCG13-15A
NBT40-VC13-90	VC13	0.125 - 0.500"	GH16	3.543"	2.362"	1.575"	1.744"	0.125 - 0.500"	VCG13-15A
NBT40-VC13-120	VC13	0.125 - 0.500"	GH16	4.724"	3.543"	1.575"	1.909"	0.125 - 0.500"	VCG13-15A
NBT40-VC13-150	VC13	0.125 - 0.500"	GH16	5.906"	2.362"	1.575"	1.750"	0.125 - 0.500"	VCG13-15A

**Taper Plus Toolholders are interchangeable between Standard and Dual Face Contact spindles for greater flexibility!**



VCK Collets  
Page 72



Nut Wrench  
Page 74

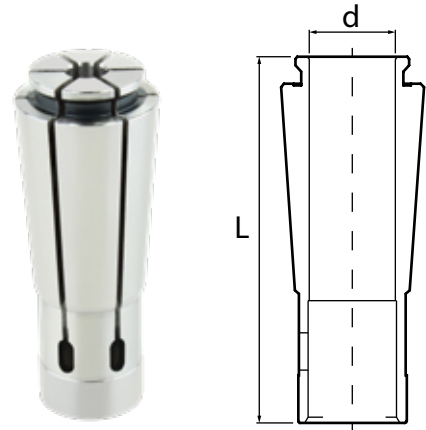


Back-up screw  
Page 74



Coolant-thru Nut  
Page 74

**VCK Collets**



**Dimensional Data**

Collet Series	L	Collet Range (d)
VCK6	1.567" (39.8mm)	1/8" - 1/4" (2mm - 6mm)
VCK13	2.126" (54mm)	1/8" - 1/2" (3mm - 12mm)

VC Collet Chucks

**VCK6 Collets**

Size range: 1/8" - 1/4"

Size range: 2.0 - 6.0mm  
(0.079 - 0.236")

**VCK13 Collets**

Size range: 1/8" - 1/2"

Size range: 3 - 12mm  
(0.118 - 0.472")

**Inch**

**Metric**

Part Number	Size	Collet Series	Part Number	Size	Collet Series
VCK6-1/8	1/8"	VCK6	VCK6-2	2.0mm	VCK6
VCK6-3/16	3/16"	VCK6	VCK6-3	3.0mm	VCK6
VCK6-1/4	1/4"	VCK6	VCK6-4	4.0mm	VCK6
			VCK6-5	5.0mm	VCK6
			VCK6-6	6.0mm	VCK6

**Inch**

**Metric**

Part Number	Size	Collet Series	Part Number	Size	Collet Series
VCK13-1/8	1/8"	VCK13	VCK13-3	3.0mm	VCK13
VCK13-3/16	3/16"	VCK13	VCK13-4	4.0mm	VCK13
VCK13-1/4	1/4"	VCK13	VCK13-5	5.0mm	VCK13
VCK13-5/16	5/16"	VCK13	VCK13-6	6.0mm	VCK13
VCK13-3/8	3/8"	VCK13	VCK13-7	7.0mm	VCK13
VCK13-7/16	7/16"	VCK13	VCK13-8	8.0mm	VCK13
VCK13-1/2	1/2"	VCK13	VCK13-9	9.0mm	VCK13
			VCK13-10	10.0mm	VCK13
			VCK13-11	11.0mm	VCK13
			VCK13-12	12.0mm	VCK13

**Tightening Torque for VC Collet Chucks**

Collet Type	Size	Nut Tightening Torque (ft/lbs)	
		< Ø3mm	Ø3 - Ø6mm
VC	VCK6	7-22	22-37
	VCK13	29-55	

## VC Coolant Collet System

Collet Chuck	Collet	Coolant Nut Part Number	Cutting Tool Size	Coolant-Thru Disk Part Number	Slotted Disk Part Number	Disk Wrench Part Number	Blank Disk (machinable) Part Number
VC6	VCK6- range: 2 - 6mm [1/8" - 1/4"]	VCN-6BJ	2mm	-	-	SKJL-10	SKJ10-BLANK
			3mm	SKJ10-3C	SKJ10-3		
			4mm	SKJ10-4C	SKJ10-4		
			5mm	SKJ10-5C	SKJ10-5		
			6mm	SKJ10-6C	SKJ10-6		
			1/8"	SKJ10-1/8C	SKJ10-1/8		
			3/16"	SKJ10-3/16C	SKJ10-3/16		
			1/4"	SKJ10-1/4C	SKJ10-1/4		
VC13	VCK13- range: 3 - 12mm [1/8" - 1/2"]	VCN-13BJ	3mm	-	-	SKJL-16	SKJ16-BLANK
			4mm	-	-		
			5mm	-	-		
			6mm	SKJ16-6C	SKJ16-6		
			7mm	-	-		
			8mm	SKJ16-8C	SKJ16-8		
			10mm	SKJ16-10C	SKJ16-10		
			12mm	SKJ16-12C	SKJ16-12		
			1/8"	-	-		
			3/16"	-	-		
			1/4"	SKJ16-1/4C	SKJ16-1/4		
			5/16"	SKJ16-5/16C	SKJ16-5/16		
			3/8"	SKJ16-3/8C	SKJ16-3/8		
			7/16"	SKJ16-7/16C	SKJ16-7/16		
			1/2"	SKJ16-1/2C	SKJ16-1/2		

VC Collet Chucks



VCK Collets  
Page 72



Nut Wrench  
Page 74



Back-up screw  
Page 74



Coolant-thru Nut  
Page 74

## VC Collet Chuck Accessories

### VC Back-up Screw

Part Number	Description
VCG6-8A	use with VC6 chucks
VCG13-15A	use with VC13 chucks



### VC Nuts

Part Number	Description
VCN-6B	Standard Nut for VC6 chucks
VCN-6BJ	J Coolant Nut for VC6 chucks
VCN-13B	Standard Nut for VC13 chucks
VCN-13BJ	J Coolant Nut for VC13 chucks



### VC Nut Wrenches

Part Number	Description
GH10	VC6 Chuck Wrench
GH16	VC13 Chuck Wrench



### Coolant Tube Wrench

Part Number	Description
HSK40-WRENCH	Wrench for HSK40 Coolant Tube
HSK63-WRENCH	Wrench for HSK63 Coolant Tube
HSK100-WRENCH	Wrench for HSK100 Coolant Tube



### Coolant Tube

Part Number	Description
HSK40-TUBE	Coolant Tube for HSK40 holders
HSK63-TUBE	Coolant Tube for HSK63 holders
HSK100-TUBE	Coolant Tube for HSK100 holders





## MMC Collet Chuck Features

### Accuracy in Small Diameter Cutting

The Mini-Mini Chuck (MMC) features a slim and compact body for precision machining with small diameter tools (up to 0.5"). It is an ideal toolholder for high-speed machining applications where clearance is needed.



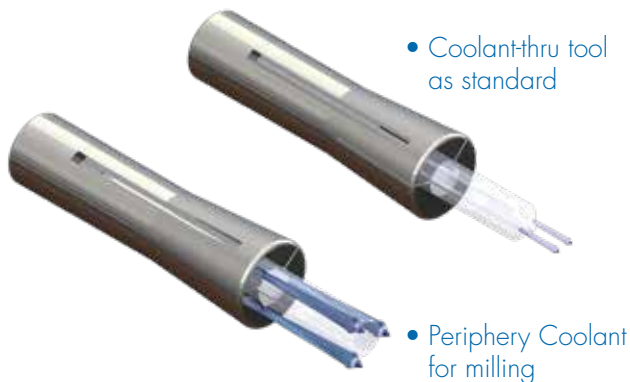
### High-Speed, High-Precision: Max. 30,000 RPM (balanced at G2.5)

- Precision ground and pre-balanced, ensuring accuracy and reliability during high-speed operations.
- Most flexible Collet Chuck for machining Die Mold, Aerospace, and Medical parts by providing both clearance and accuracy.

### High Runout Accuracy

- Within 0.00012" at 4 times the diameter of the cutting tool!

### Coolant-thru Capabilities



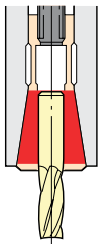
- Coolant-thru tool as standard

- Periphery Coolant for milling

### Slim, Compact Nose and Front Clamping

No collet nut required! An internal draw-in collet clamping mechanism results in strong, high-precision gripping and allows for a slim nose that can access hard to reach areas.

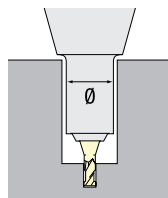
### Slim and compact nose with strong gripping at nose



MMC 4:  $\varnothing$  15mm (0.591")

MMC 8:  $\varnothing$  20mm (0.787")

MMC 12:  $\varnothing$  30mm (1.181")



### Easy-to-use draw-in collet clamping mechanism

Clamp/unclamp with just a wrench!

"A" type Mini-Mini Collet Chuck



Standard type Mini-Mini Collet Chuck



## CAT MMC Collet Chucks



**T.I.R.:** <.00012" or better



**Speed:** up to 30,000 RPM



**Set-up:** quick and easy to operate



**Coolant-Thru:** thru-tool coolant



Milling



Reaming



Drilling



Tapping

- No nut required.
- Slim, compact nose front clamping allows for greater rigidity and precision gripping.
- High concentricity and repeatability.
- Easy-to-use draw-in collet clamping pulled by standard side wrench.
- Pre-balanced for high-speed applications.

Please note that the maximum RPM listed may vary depending on the toolholder shank, weight, balanceability and the G rating.

### CAT40

Part Number	Collet Series	Collet Range	Wrench	L	L1	D
CAT40-MMC4-90U	MPK4	1/16 - 3/32" (1 - 4mm)	Wrench-ALLEN6	3.543"	1.181"	0.591"
CAT40-MMC8C-85U-A*	VMK8	1/8 - 3/8" (2 - 8mm)	Wrench-THEX5	3.287"	1.476"	0.787"
CAT40-MMC8C-90U	VMK8	1/8 - 3/8" (2 - 8mm)	Wrench-ALLEN6	3.543"	1.299"	0.787"
CAT40-MMC8C-120U-A*	VMK8	1/8 - 3/8" (2 - 8mm)	Wrench-THEX5	4.724"	1.574"	0.787"
CAT40-MMC8C-120U	VMK8	1/8 - 3/8" (2 - 8mm)	Wrench-ALLEN6	4.724"	1.574"	0.787"
CAT40-MMC12C-90U	VMK12	3/16 - 1/2" (4 - 12mm)	Wrench-ALLEN6	3.543"	1.378"	1.181"
CAT40-MMC12C-120U	VMK12	3/16 - 1/2" (4 - 12mm)	Wrench-ALLEN6	4.724"	2.362"	1.181"

Notes:

- \*Wrench included with holder except for A-type holders.
- \*"A" denotes collet is drawn directly from the rear of the holder by a bolt.



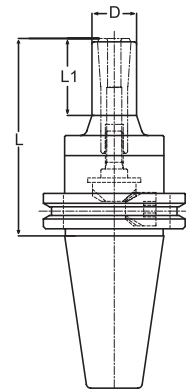
Wrench-THEX5



Wrench-ALLEN6



Available in **TAPER PLUS**  
Dual-taper and flange contact



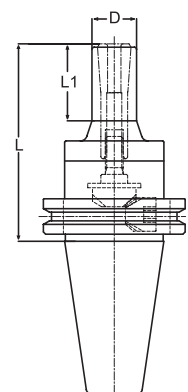
### CAT50

Part Number	Collet Series	Collet Range	Wrench	L	L1	D
CAT50-MMC4-105U	MPK4	1/16 - 3/32" (1 - 4mm)	Wrench-ALLEN6	4.134"	1.181"	0.591"
CAT50-MMC8C-105U	VMK8	1/8 - 3/8" (2 - 8mm)	Wrench-ALLEN6	4.134"	1.299"	0.787"
CAT50-MMC8C-135U	VMK8	1/8 - 3/8" (2 - 8mm)	Wrench-ALLEN6	5.315"	1.574"	0.787"
CAT50-MMC8C-165U	VMK8	1/8 - 3/8" (2 - 8mm)	Wrench-ALLEN6	6.496"	1.574"	0.787"
CAT50-MMC12C-105U	VMK12	3/16 - 1/2" (4 - 12mm)	Wrench-ALLEN6	4.134"	1.378"	1.181"
CAT50-MMC12C-135U	VMK12	3/16 - 1/2" (4 - 12mm)	Wrench-ALLEN6	5.315"	2.362"	1.181"
CAT50-MMC12C-165U	VMK12	3/16 - 1/2" (4 - 12mm)	Wrench-ALLEN6	6.496"	2.756"	1.181"

Note: Wrench included with holder.



Wrench-ALLEN6



MPK & VMK Collets  
Page 82



Tool Jaw  
Page 234



Retention Knobs  
Page 229

## BT MMC Collet Chucks

- No nut required.
- Slim, compact nose front clamping allows for greater rigidity and precision gripping.
- High concentricity and repeatability.
- Easy-to-use draw-in collet clamping pulled by standard side wrench.
- Pre-balanced for high-speed applications.



**T.I.R.:** <.00012" or better



**Speed:** up to 30,000 RPM



**Set-up:** quick and easy to operate



**Coolant-Thru:** thru-tool coolant



Milling



Reaming



Drilling



Tapping

Please note that the maximum RPM listed in our catalog may vary depending on the toolholder shank, weight, balanceability and the G rating.

### BT30

Part Number	Collet Series	Collet Range	Wrench	L	L1	D
BT30-MMC4-105	MPK4	1/16 - 3/32" (1 - 4mm)	Wrench-ALLEN6	4.134"	1.181"	0.591"
BT30-MMC8C-75-A*	VMK8	1/8 - 3/8" (2 - 8mm)	Wrench-THEX5	2.893"	1.476"	0.787"
BT30-MMC12-105	VMK12	3/16 - 1/2" (4 - 12mm)	Wrench-ALLEN6	4.134"	1.378"	1.181"

Notes:

- \*Wrench included with holder except for A-type holders.
- \*"A" denotes collet is drawn directly from the rear of the holder by a bolt.



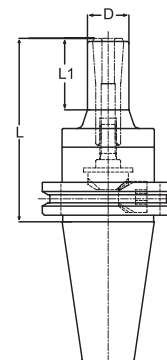
Wrench-THEX5



Wrench-ALLEN6



Available in  
**TAPER PLUS**  
Dual-taper and flange contact



### BT40

Part Number	Collet Series	Collet Range	Wrench	L	L1	D
BT40-MMC4-90	MPK4	1/16 - 3/32" (1 - 4mm)	Wrench-ALLEN6	3.543"	1.181"	0.591"
BT40-MMC8C-90	VMK8	1/8 - 3/8" (2 - 8mm)	Wrench-ALLEN6	3.543"	1.417"	0.787"
BT40-MMC8C-120	VMK8	1/8 - 3/8" (2 - 8mm)	Wrench-ALLEN6	4.724"	1.693"	0.787"
BT40-MMC12C-90	VMK12	3/16 - 1/2" (4 - 12mm)	Wrench-ALLEN6	3.543"	1.378"	1.181"
BT40-MMC12C-120	VMK12	3/16 - 1/2" (4 - 12mm)	Wrench-ALLEN6	4.724"	2.362"	1.181"

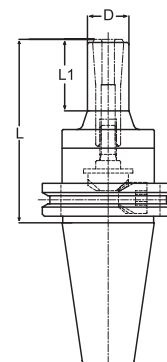
Note: Wrench included with holder.



Wrench-ALLEN6



Available in  
**TAPER PLUS**  
Dual-taper and flange contact



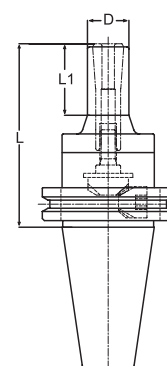
### BT50

Part Number	Collet Series	Collet Range	Wrench	L	L1	D
BT50-MMC4-105	MPK4	1/16 - 3/32" (1 - 4mm)	Wrench-ALLEN6	4.134"	1.181"	0.591"
BT50-MMC8C-105	VMK8	1/8 - 3/8" (2 - 8mm)	Wrench-ALLEN6	4.134"	1.417"	0.787"
BT50-MMC8C-135	VMK8	1/8 - 3/8" (2 - 8mm)	Wrench-ALLEN6	5.315"	1.693"	0.787"
BT50-MMC8C-165	VMK8	1/8 - 3/8" (2 - 8mm)	Wrench-ALLEN6	6.496"	1.693"	0.787"
BT50-MMC12C-105	VMK12	3/16 - 1/2" (4 - 12mm)	Wrench-ALLEN6	4.134"	1.378"	1.181"
BT50-MMC12C-135	VMK12	3/16 - 1/2" (4 - 12mm)	Wrench-ALLEN6	5.315"	2.362"	1.181"
BT50-MMC12C-165	VMK12	3/16 - 1/2" (4 - 12mm)	Wrench-ALLEN6	6.496"	2.756"	1.181"

Note: Wrench included with holder.



Wrench-ALLEN6



MPK & VMK Collets  
Page 82



Tool Jaw  
Page 234



Retention Knobs  
Page 229



## HSK MMC Collet Chucks



**T.I.R.:** <.00012" or better



**Speed:** up to 30,000 RPM



**Set-up:** quick and easy to operate



**Coolant-Thru:** thru-tool coolant



Milling



Reaming



Drilling



Tapping

- No nut required.
- Slim, compact nose front clamping allows for greater rigidity and precision gripping.
- High concentricity and repeatability.
- Easy-to-use draw-in collet clamping pulled by standard side wrench.
- Pre-balanced for high-speed applications.

Please note that the maximum RPM listed in our catalog may vary depending on the toolholder shank, weight, balanceability and the G rating.

### HSK63A/100A

Part Number	Collet Series	Collet Range	Wrench	L	L1	D
HSK63A-MMC8C-115	VMK8	1/8 - 3/8" (2 - 8mm)	Wrench-ALLEN6	4.528"	1.299"	0.787"
HSK63A-MMC12C-110-A*	VMK12	3/16 - 1/2" (4 - 12mm)	Wrench-THEX6	4.331"	1.417"	1.181"
HSK63A-MMC12C-117	VMK12	3/16 - 1/2" (4 - 12mm)	Wrench-ALLEN6	4.606"	1.417"	1.181"
HSK100A-MMC8C-130	VMK8	1/8 - 3/8" (2 - 8mm)	Wrench-ALLEN6	5.118"	1.299"	0.787"
HSK100A-MMC12C-130	VMK12	3/16 - 1/2" (4 - 12mm)	Wrench-ALLEN6	5.118"	1.417"	1.181"

Notes:

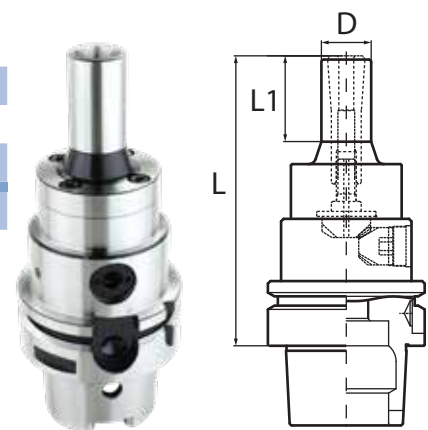
- \*Wrench included with holder except for A-type holders.
- \*"A" denotes collet is drawn directly from the rear of the holder by a bolt.
- Coolant Tube and Wrench are sold separately (HSK63-TUBE/HSK63-WRENCH).



Wrench-THEX5



Wrench-ALLEN6



### HSK63F

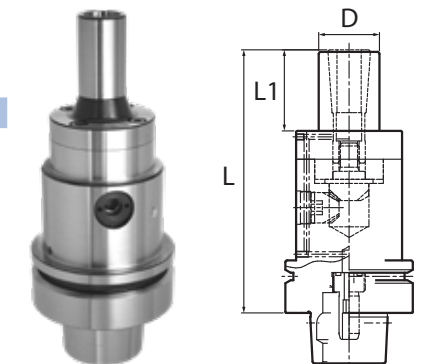
Part Number	Collet Series	Collet Range	Wrench	L	L1	D
HSK63F-MMC8C-127	VMK8	1/8 - 3/8" (2 - 8mm)	Wrench-ALLEN6	5.000"	1.299"	0.787"
HSK63F-MMC12C-129	VMK12	3/16 - 1/2" (4 - 12mm)	Wrench-ALLEN6	5.078"	1.417"	1.181"

Notes:

- Wrench included with holder.
- Coolant tube and wrench are sold separately (HSK63-TUBE/HSK63-WRENCH).



Wrench-ALLEN6



### Coolant Tube Wrench for HSK Holders

Part Number	Description
HSK63-WRENCH	Wrench for HSK63 Coolant Tube
HSK100-WRENCH	Wrench for HSK100 Coolant Tube

Note: Coolant tube wrenches are needed to remove or install coolant tubes in HSK toolholders.



### Coolant Tube for HSK Holders

Part Number	Description
HSK63-TUBE	Coolant Tube for HSK63 Holders
HSK100-TUBE	Coolant Tube for HSK100 Holders



## Straight Shank MMC Collet Chucks

- No nut required.
- Slim, compact nose front clamping allows for greater rigidity and precision gripping.
- High concentricity and repeatability.
- Easy-to-use draw-in collet clamping pulled by standard side wrench.
- Pre-balanced for high-speed applications.



**T.I.R.:** <.00012" or better



**Speed:** up to 30,000 RPM



**Set-up:** quick and easy to operate



**Coolant-Thru:** thru-tool coolant



Milling



Reaming



Drilling



Tapping

Please note that the maximum RPM listed in our catalog may vary depending on the toolholder shank, weight, balanceability and the G rating.

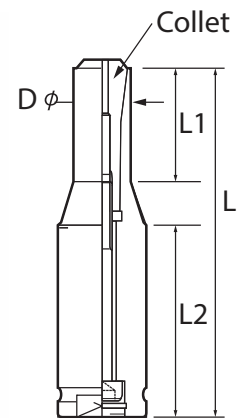
### STRAIGHT SHANK

Part Number	Collet Series	Collet Range	Wrench	L	L1	L2	D
K3/4-MMC8C-100	VMK8	1/8 - 3/8" (2 - 8mm)	Wrench-ALLEN6	3.937"	0.787"	3.149"	0.787"
K1.1/4-MMC8C-122	VMK8	1/8 - 3/8" (2 - 8mm)	Wrench-ALLEN6	4.803"	1.574"	2.637"	0.787"
K1.1/4-MMC8C-160	VMK8	1/8 - 3/8" (2 - 8mm)	Wrench-ALLEN6	6.299"	1.574"	2.637"	0.787"

Note: Wrench included with holder.

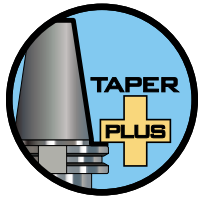


Wrench-ALLEN6

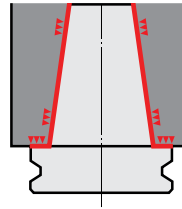


## Taper Plus CAT & BT MMC Collet Chucks

### Taper Plus Advantages

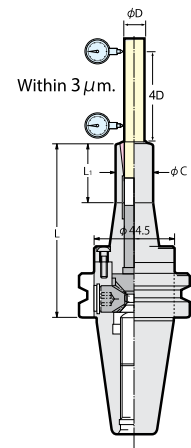


- Outstanding runout accuracy for longer tool life
- Vibration dampening for increased productivity
- High rigidity for smooth and stable cutting
- Interchangeable between standard and dual face contact spindles
- 53% more surface area contact than just the taper alone



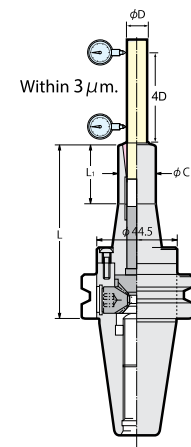
### Taper Plus - CAT40

Part Number	Collet Series	Collet Range	L	L1	C
NCAT40-MMC8C-90	VMK8	1/8 - 3/8" (2 - 8mm)	3.543"	1.299"	0.787"
NCAT40-MMC12C-90	VMK12	3/16 - 1/2" (4 - 12mm)	3.543"	1.378"	1.181"



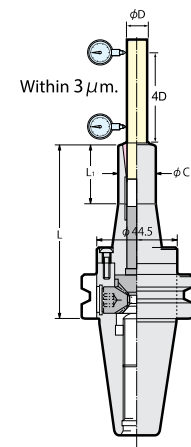
### Taper Plus - BT30

Part Number	Collet Series	Collet Range	L	L1	C
NBT30-MMC8C-105	VMK8	1/8 - 3/8" (2 - 8mm)	4.134"	1.417"	0.787"
NBT30-MMC12C-105	VMK12	3/16 - 1/2" (4 - 12mm)	4.134"	1.378"	1.181"



### Taper Plus - BT40

Part Number	Collet Series	Collet Range	L	L1	C
NBT40-MMC8C-90	VMK8	1/8 - 3/8" (2 - 8mm)	3.543"	1.417"	0.787"
NBT40-MMC12C-90	VMK12	3/16 - 1/2" (4 - 12mm)	3.543"	1.378"	1.181"

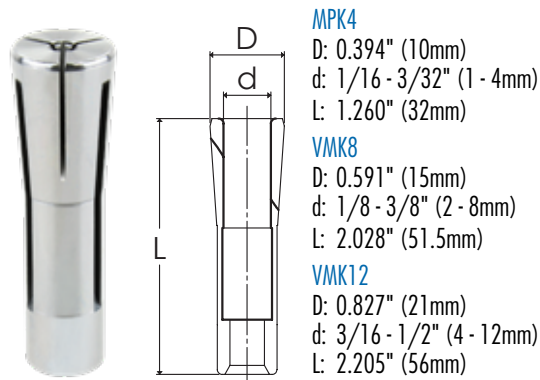


## MMC Collets

### Coolant Collets

Part Number	Collet Series	Size
MPK4-1/16	MPK4	1/16"
MPK4-3/32	MPK4	3/32"
MPK4-1	MPK4	1.0mm
MPK4-1.5	MPK4	1.5mm
MPK4-2	MPK4	2.0mm
MPK4-2.5	MPK4	2.5mm
MPK4-3	MPK4	3.0mm
MPK4-3.5	MPK4	3.5mm
MPK4-4	MPK4	4.0mm

Note: MMC collets have minimal collapsibility. Highest accuracy and rigidity can be achieved when using cutting tools as close to nominal value as possible.



Part Number	Collet Series	Size	Part Number	Collet Series	Size
VMK8-1/8	VMK8	1/8"	VMK12-3/16	VMK12	3/16"
VMK8-3/16	VMK8	3/16"	VMK12-1/4	VMK12	1/4"
VMK8-1/4	VMK8	1/4"	VMK12-5/16	VMK12	5/16"
VMK8-5/16	VMK8	5/16"	VMK12-3/8	VMK12	3/8"
VMK8-3/8	VMK8	3/8"	VMK12-7/16	VMK12	7/16"
VMK8-2	VMK8	2.0mm	VMK12-1/2	VMK12	1/2"
VMK8-3	VMK8	3.0mm	VMK12-4	VMK12	4.0mm
VMK8-4	VMK8	4.0mm	VMK12-5	VMK12	5.0mm
VMK8-5	VMK8	5.0mm	VMK12-6	VMK12	6.0mm
VMK8-6	VMK8	6.0mm	VMK12-8	VMK12	8.0mm
VMK8-8	VMK8	8.0mm	VMK12-10	VMK12	10.0mm
VMK8-10	VMK8	10.0mm	VMK12-12	VMK12	12.0mm

### Features

- Coolant Collets are mechanically sealing.
- No additional accessories are required to make these collets coolant-thru the tool capable.
- 1000 psi high-pressure coolant capable.



### Slotted Collets

Part Number	Collet Series	Size	Part Number	Collet Series	Size
VMK8-1/8J	VMK8	1/8"	VMK12-3/16J	VMK12	3/16"
VMK8-3/16J	VMK8	3/16"	VMK12-1/4J	VMK12	1/4"
VMK8-1/4J	VMK8	1/4"	VMK12-5/16J	VMK12	5/16"
VMK8-5/16J	VMK8	5/16"	VMK12-3/8J	VMK12	3/8"
VMK8-3/8J	VMK8	3/8"	VMK12-7/16J	VMK12	7/16"
VMK8-2J	VMK8	2.0mm	VMK12-1/2J	VMK12	1/2"
VMK8-3J	VMK8	3.0mm	VMK12-4J	VMK12	4.0mm
VMK8-4J	VMK8	4.0mm	VMK12-5J	VMK12	5.0mm
VMK8-5J	VMK8	5.0mm	VMK12-6J	VMK12	6.0mm
VMK8-6J	VMK8	6.0mm	VMK12-8J	VMK12	8.0mm
VMK8-8J	VMK8	8.0mm	VMK12-10J	VMK12	10.0mm
VMK8-10J	VMK8	10.0mm	VMK12-12J	VMK12	12.0mm

### Features

- Collet slots allow coolant to be supplied directly to the periphery of the cutting tool.
- During pocket milling operations, coolant along the periphery of the cutting tool will also help flush out chips.





Shrink Fit



Specifications & Equipment

THE INDUSTRY'S HIGHEST QUALITY SHRINK FIT LINE

- High Speed: shrinking from 2 to 7 seconds
- Flexible Range: shrinking from 0.079" to 1.575" (2 to 40mm)

Remotely controlled

- Compatible with Start.2 & Fi-6
- Shrink and Cooling unit linked and controlled by 1 pendant!

High Speed Cooling Unit!

Cools tools less than 2 minutes with standard shop air pressure!

Cooling system compatible with all cutting tool geometries to optimize cooling time cycle (3° slope, 4.5° slope, cylindrical)



Auto shank size detection for ease of use

Air cooling unit

Operating instructions

Inductor rotates 180° to allow easy removal of broken tools

Storage space for chuck holders

Start.2

220V - Standard  
440V - Optional

UPGRADABILITY

Fi-6

220V - Standard  
440V - Optional

Storage space for inductor and cooling stop rings

AFTER SALES-SERVICE

OPTION

Removable electronics

- Compatible with Start.2 & Fi-6
- Unique slide-out Control Module allows for easy access and repair



Scan here to see our Start.2 video!

Shrink and unshrink any type of tools and cutters

- Steel, HSS, Carbide, Heavy Metal, Powdered Metal, Shrink Fit extensions and reductions (Tool Shank must have h6 tolerance)

Registered models – Registered patents  
Subject to change without notice.



## Specifications & Equipment

Functions	Start.2	Fi-6
<b>Specifications</b>	PART NUMBER: SF-START2-UNIT	PART NUMBER: SF-FI6-UNIT
Automatic tool size detection within the range of each inductor ring	■	■
Rapid heating cycle prevents heat transfer damage to the cutting tool and toolholder	■	■
Self regulated heating cycle allows for safe operation	■	■
Automatic or manual shrinking cycle time	■	■
Shrinking Ø 2 to Ø 40mm (.079"-1.575") with the same inductor	■	■
Large 64mm (2.52") inductor diameter provides flexibility for small to large cutting tools	■	■
Remote control pendant for ergonomic operation	■	■
Unique slide out control module allows for easy access and repair	■	■
Inductor rotates 180 degrees for broken cutter removal	■	■
Cooling system for the electronic board to allow high-speed shrinking		■
Power supply 400-480V/14kW/50-60Hz/3 phase	■	■
Power supply 200-240V/14kW/50-60Hz/3 phase	■	■
<b>Equipment</b>		
1 air cooling unit (70-90 PSI)	■	
2 air cooling units (70-90 PSI)	□	■
Shrinking of cutting diameters larger than shank diameters	□	□
Shrinking system for reductions	□	□
Back stop presetting unit	□	□
Storage space for chuck holders	■	■
Storage space for inductor stop rings and cooling stop rings	■	■
Storage space for cooling stop rings	□	



Back stop presetting to determine the tool gauge before shrinking

■ : Standard    □ : Option

## Shrink Fit Equipment



### START.2 SHRINK FIT UNIT

- The world's easiest shrink machine to operate.
- Provided with accessories for shrinking 0.079" - 1.575" (Ø 2 to Ø 40mm).
- Compact and Ergonomic Design.
- 1 cooling unit included, optional 2nd cooling unit can be connected.
- Shrink machine unit net weight - 41.9 lbs. (19 kg)



Storage Racks  
(INCLUDED)



### COOLING UNIT

- Rapid Cooling - Tapered internal design allows for even distribution of high pressure air.
- Provided with accessories for cooling 0.079" - 1.575" (Ø 2 to Ø 40mm).
- Compressed air supply: 70 to 90 psi.
- Equipped with a filter and a pressure-reducing gauge to regulate the pressure and the air flow.
- Weight: 11 lbs. (5 kg)

Shrink Fit

### FI-6 SHRINK FIT UNIT

- **Fi-6 - speed and safety in one**  
Speed - multiple cooling units to support high quantity tool assembly  
Safety - Guide Rail prevents operator from handling hot tools
- **The electronic board is cooled to allow high-speed shrinking.**
- Provided with accessories for shrinking & cooling 0.079" - 1.575" (Ø 2 to Ø 40mm).
- **Dimensions:**  
 Length = 30.90" (785mm)  
 Depth = 20.08" (510mm)  
 Height = 34.45" (875mm)
- **Weight** (options excluded): 143.3 lbs. (65 kg)



### PRESETTING UNIT (OPTIONAL)

- For length presetting
- For Fi-6 shrink fit unit only
- Accuracy: ± 0,050mm
- Repeatability: ± 0,020mm
- Capability: tool shank 0.24" - 1.26" (Ø 6 to Ø 32mm)







## Shrink Fit Unit Packages

### START.2 Shrink Fit Package *(accessories included)*

#### **INCLUDES:**

SHRINK UNIT



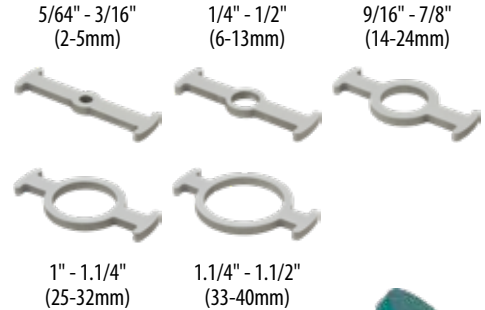
COOLING UNIT



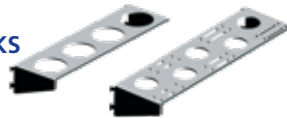
5 PIECE INDUCTION RING SET



5 PIECE COOLING BRACKET SET



STORAGE RACKS



CHUCK HOLDERS

(CAT40/50, BT30-50, HSK63-100)



### Fi-6 Shrink Fit Package *(accessories included)*

#### **INCLUDES:**

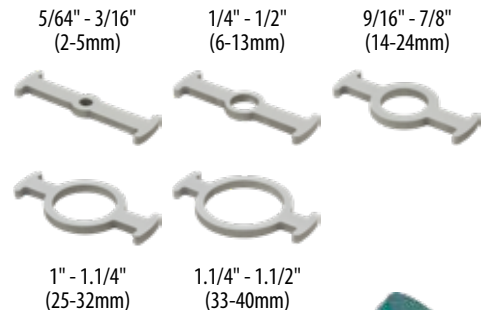
SHRINK UNIT



5 PIECE INDUCTION RING SET



5 PIECE COOLING BRACKET SET



STORAGE RACKS



CHUCK HOLDERS

(CAT40/50, BT30-50, HSK63-100)



**CAT40 Shrink Fit Holders**



- Excellent surface finish, extreme gripping and ideal for high-speed applications
- Pre-balanced for up to 20,000 RPM
- Increase cutting tool life, material removal rate and workpiece accuracy



**T.I.R.:** 0.0002" or better



**Speed:** up to 20,000 RPM



**Set-up:** quick and easy to operate



**Coolant-Thru:** center-thru/DIN Form B



Milling



Drilling

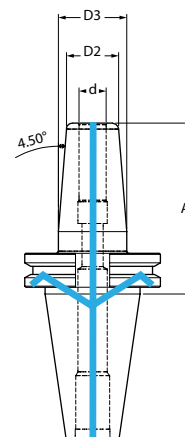


Reaming

Please note that the maximum RPM listed in our catalog may vary depending on the toolholder shank, weight, balanceability and the G rating.

**STANDARD**

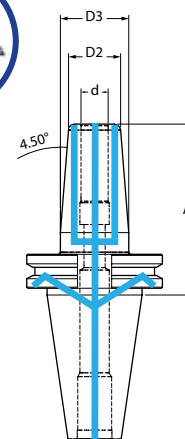
Part Number	d	A	D2	D3
CAT40-SF0250-3.15	1/4"	3.15"	0.83"	1.06"
CAT40-SF0375-3.15	3/8"	3.15"	0.94"	1.26"
CAT40-SF0500-3.15	1/2"	3.15"	0.94"	1.26"
CAT40-SF0625-3.15	5/8"	3.15"	1.06"	1.34"
CAT40-SF0750-3.15	3/4"	3.15"	1.30"	1.65"
CAT40-SF1000-3.94	1"	3.94"	1.73"	2.09"
CAT40-SF6-80	6mm	3.15"	0.83"	1.06"
CAT40-SF8-80	8mm	3.15"	0.83"	1.06"
CAT40-SF10-80	10mm	3.15"	0.94"	1.26"
CAT40-SF12-80	12mm	3.15"	0.94"	1.26"
CAT40-SF16-80	16mm	3.15"	1.06"	1.34"
CAT40-SF20-80	20mm	3.15"	1.30"	1.65"
CAT40-SF25-100	25mm	3.94"	1.73"	2.09"
CAT40-SF32-100	32mm	3.94"	1.73"	2.09"



**Standard - DIN AD+B**  
(DIN Form B and Center Thru Coolant Capable)

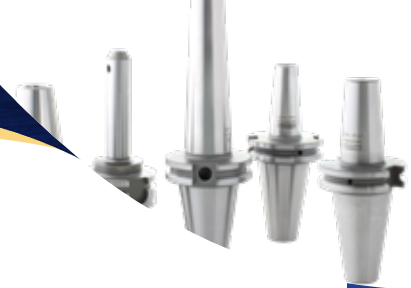
**STANDARD COOLANT PORTED**

Part Number	d	A	D2	D3
CAT40-SF0250-3.15CP	1/4"	3.15"	0.83"	1.06"
CAT40-SF0375-3.15CP	3/8"	3.15"	0.94"	1.26"
CAT40-SF0500-3.15CP	1/2"	3.15"	0.94"	1.26"
CAT40-SF0625-3.15CP	5/8"	3.15"	1.06"	1.34"
CAT40-SF0750-3.15CP	3/4"	3.15"	1.30"	1.65"
CAT40-SF1000-3.94CP	1"	3.94"	1.73"	2.09"
CAT40-SF8-80CP	8mm	3.15"	0.83"	1.06"
CAT40-SF10-80CP	10mm	3.15"	0.94"	1.26"
CAT40-SF12-80CP	12mm	3.15"	0.94"	1.26"
CAT40-SF16-80CP	16mm	3.15"	1.06"	1.34"
CAT40-SF20-80CP	20mm	3.15"	1.30"	1.65"
CAT40-SF25-100CP	25mm	3.94"	1.73"	2.09"



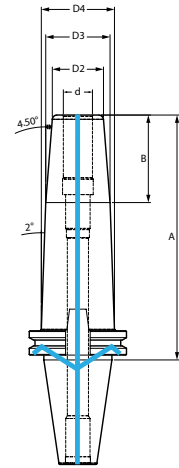
**Coolant Port Option - DIN AD+B**  
(DIN Form B and Center Thru Coolant Capable)

## CAT40 Shrink Fit Holders



### EXTENDED

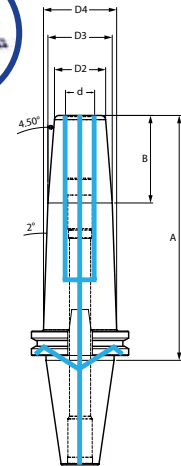
Part Number	d	A	D2	D3	D4	B
CAT40-SF0250-6.30	1/4"	6.30"	0.83"	1.06"	1.35"	1.50"
CAT40-SF0375-6.30	3/8"	6.30"	0.94"	1.26"	1.51"	2.00"
CAT40-SF0500-6.30	1/2"	6.30"	0.94"	1.26"	1.51"	2.00"
CAT40-SF0625-6.30	5/8"	6.30"	1.06"	1.34"	1.60"	1.75"
CAT40-SF0750-6.30	3/4"	6.30"	1.30"	1.65"	1.88"	2.25"
CAT40-SF1000-6.30	1"	6.30"	1.73"	2.09"	2.32"	2.25"
CAT40-SF6-160	6mm	6.30"	0.83"	1.06"	1.35"	1.50"
CAT40-SF8-160	8mm	6.30"	0.83"	1.06"	1.35"	1.50"
CAT40-SF10-160	10mm	6.30"	0.94"	1.26"	1.51"	2.00"
CAT40-SF12-160	12mm	6.30"	0.94"	1.26"	1.51"	2.00"
CAT40-SF16-160	16mm	6.30"	1.06"	1.34"	1.60"	1.75"
CAT40-SF20-160	20mm	6.30"	1.30"	1.65"	1.88"	2.26"
CAT40-SF25-160	25mm	6.30"	1.73"	2.09"	2.32"	2.25"



**Extended - DIN AD+B**  
(DIN Form B and Center Thru Coolant Capable)

### EXTENDED COOLANT PORTED

Part Number	d	A	D2	D3	D4	B
CAT40-SF0250-6.30CP	1/4"	6.30"	0.83"	1.06"	1.35"	1.50"
CAT40-SF0375-6.30CP	3/8"	6.30"	0.94"	1.26"	1.51"	2.00"
CAT40-SF0500-6.30CP	1/2"	6.30"	0.94"	1.26"	1.51"	2.00"
CAT40-SF0625-6.30CP	5/8"	6.30"	1.06"	1.34"	1.60"	1.75"
CAT40-SF0750-6.30CP	3/4"	6.30"	1.30"	1.65"	1.88"	2.25"
CAT40-SF1000-6.30CP	1"	6.30"	1.73"	2.09"	2.32"	2.25"
CAT40-SF8-160CP	8mm	6.30"	0.83"	1.06"	1.35"	1.50"
CAT40-SF10-160CP	10mm	6.30"	0.94"	1.26"	1.51"	2.00"
CAT40-SF12-160CP	12mm	6.30"	0.94"	1.26"	1.51"	2.00"
CAT40-SF16-160CP	16mm	6.30"	1.06"	1.34"	1.60"	1.75"
CAT40-SF20-160CP	20mm	6.30"	1.30"	1.65"	1.88"	2.26"
CAT40-SF25-160CP	25mm	6.30"	1.73"	2.09"	2.32"	2.25"



**Coolant Port Option - DIN AD+B**  
(DIN Form B and Center Thru Coolant Capable)

**CAT50 Shrink Fit Holders**



- Excellent surface finish, extreme gripping and ideal for high-speed applications
- Pre-balanced for up to 20,000 RPM
- Increase cutting tool life, material removal rate and workpiece accuracy



**T.I.R.:** 0.0002" or better



**Speed:** up to 20,000 RPM



**Set-up:** quick and easy to operate



**Coolant-Thru:** center-thru/DIN Form B



Milling



Drilling

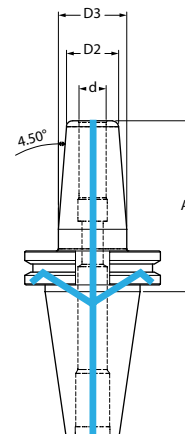


Reaming

Please note that the maximum RPM listed in our catalog may vary depending on the toolholder shank, weight, balanceability and the G rating.

**STANDARD**

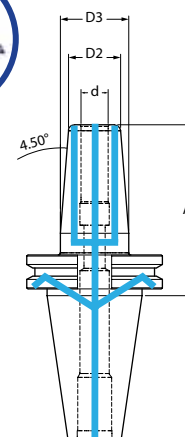
Part Number	d	A	D2	D3
CAT50-SF0250-3.15	1/4"	3.15"	0.83"	1.06"
CAT50-SF0375-3.15	3/8"	3.15"	0.94"	1.26"
CAT50-SF0500-3.15	1/2"	3.15"	0.94"	1.26"
CAT50-SF0625-3.15	5/8"	3.15"	1.06"	1.34"
CAT50-SF0750-3.15	3/4"	3.15"	1.30"	1.65"
CAT50-SF1000-3.94	1"	3.94"	1.73"	2.09"
CAT50-SF1250-3.94	1.1/4"	3.94"	1.73"	2.09"
CAT50-SF3-80	3mm	3.15"	0.39"	0.71"
CAT50-SF6-80	6mm	3.15"	0.83"	1.06"
CAT50-SF8-80	8mm	3.15"	0.83"	1.06"
CAT50-SF10-80	10mm	3.15"	0.94"	1.26"
CAT50-SF12-80	12mm	3.15"	0.94"	1.26"
CAT50-SF16-80	16mm	3.15"	1.06"	1.34"
CAT50-SF20-80	20mm	3.15"	1.30"	1.65"
CAT50-SF25-100	25mm	3.94"	1.73"	2.09"
CAT50-SF32-100	32mm	3.94"	1.73"	2.09"



**Standard - DIN AD+B  
(DIN Form B and Center Thru Coolant Capable)**

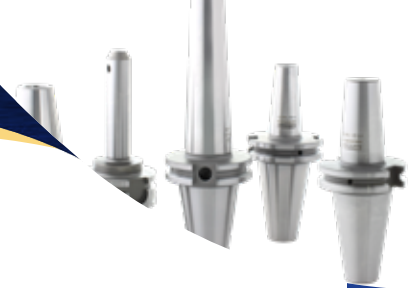
**STANDARD COOLANT PORTED**

Part Number	d	A	D2	D3
CAT50-SF0250-3.15CP	1/4"	3.15"	0.83"	1.06"
CAT50-SF0375-3.15CP	3/8"	3.15"	0.94"	1.26"
CAT50-SF0500-3.15CP	1/2"	3.15"	0.94"	1.26"
CAT50-SF0625-3.15CP	5/8"	3.15"	1.06"	1.34"
CAT50-SF0750-3.15CP	3/4"	3.15"	1.30"	1.65"
CAT50-SF1000-3.94CP	1"	3.94"	1.73"	2.09"
CAT50-SF1250-3.94CP	1.1/4"	3.94"	1.73"	2.09"
CAT50-SF8-80CP	8mm	3.15"	0.83"	1.06"
CAT50-SF10-80CP	10mm	3.15"	0.94"	1.26"
CAT50-SF12-80CP	12mm	3.15"	0.94"	1.26"
CAT50-SF16-80CP	16mm	3.15"	1.06"	1.34"
CAT50-SF20-80CP	20mm	3.15"	1.30"	1.65"
CAT50-SF25-100CP	25mm	3.94"	1.73"	2.09"
CAT50-SF32-100CP	32mm	3.94"	1.73"	2.09"



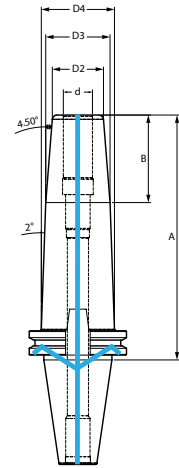
**Coolant Port Option - DIN AD+B  
(DIN Form B and Center Thru Coolant Capable)**

## CAT50 Shrink Fit Holders



### EXTENDED

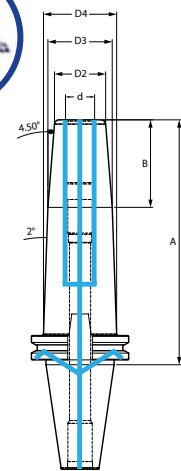
Part Number	d	A	D2	D3	D4	B
CAT50-SF0125-6.30	1/8"	6.30"	0.39"	0.71"	0.95"	2.00"
CAT50-SF0250-6.30	1/4"	6.30"	0.83"	1.06"	1.35"	1.50"
CAT50-SF0375-6.30	3/8"	6.30"	0.94"	1.26"	1.51"	2.00"
CAT50-SF0500-6.30	1/2"	6.30"	0.94"	1.26"	1.51"	2.00"
CAT50-SF0625-6.30	5/8"	6.30"	1.06"	1.34"	1.60"	1.75"
CAT50-SF0750-6.30	3/4"	6.30"	1.30"	1.65"	1.88"	2.25"
CAT50-SF1000-6.30	1"	6.30"	1.73"	2.09"	2.32"	2.25"
CAT50-SF1250-6.30	1 1/4"	6.30"	1.73"	2.09"	2.32"	2.25"
CAT50-SF6-160	6mm	6.30"	0.83"	1.06"	1.35"	1.50"
CAT50-SF8-160	8mm	6.30"	0.83"	1.06"	1.35"	1.50"
CAT50-SF10-160	10mm	6.30"	0.94"	1.26"	1.51"	2.00"
CAT50-SF12-160	12mm	6.30"	0.94"	1.26"	1.51"	2.00"
CAT50-SF16-160	16mm	6.30"	1.06"	1.34"	1.60"	1.75"
CAT50-SF20-160	20mm	6.30"	1.30"	1.65"	1.88"	2.25"
CAT50-SF25-160	25mm	6.30"	1.73"	2.09"	2.32"	2.25"



Extended - DIN AD+B  
(DIN Form B and Center Thru Coolant Capable)

### EXTENDED COOLANT PORTED

Part Number	d	A	D2	D3	D4	B
CAT50-SF0250-6.30CP	1/4"	6.30"	0.83"	1.06"	1.35"	1.50"
CAT50-SF0375-6.30CP	3/8"	6.30"	0.94"	1.26"	1.51"	2.00"
CAT50-SF0500-6.30CP	1/2"	6.30"	0.94"	1.26"	1.51"	2.00"
CAT50-SF0625-6.30CP	5/8"	6.30"	1.06"	1.34"	1.60"	1.75"
CAT50-SF0750-6.30CP	3/4"	6.30"	1.30"	1.65"	1.88"	2.25"
CAT50-SF1000-6.30CP	1"	6.30"	1.73"	2.09"	2.32"	2.25"
CAT50-SF1250-6.30CP	1 1/4"	6.30"	1.73"	2.09"	2.32"	2.25"
CAT50-SF8-160CP	8mm	6.30"	0.83"	1.06"	1.35"	1.50"
CAT50-SF10-160CP	10mm	6.30"	0.94"	1.26"	1.51"	2.00"
CAT50-SF12-160CP	12mm	6.30"	0.94"	1.26"	1.51"	2.00"
CAT50-SF16-160CP	16mm	6.30"	1.06"	1.34"	1.60"	1.75"
CAT50-SF20-160CP	20mm	6.30"	1.30"	1.65"	1.88"	2.25"
CAT50-SF25-160CP	25mm	6.30"	1.73"	2.09"	2.32"	2.25"



Coolant Port Option - DIN AD+B  
(DIN Form B and Center Thru Coolant Capable)

# HSK63A Shrink Fit Holders

- Excellent surface finish, extreme gripping and ideal for high-speed applications
- Pre-balanced for up to 20,000 RPM
- Increase cutting tool life, material removal rate and workpiece accuracy



**T.I.R.:** 0.0002" or better



**Speed:** up to 20,000 RPM



**Set-up:** quick and easy to operate



**Coolant-Thru:** center-thru



Milling



Drilling

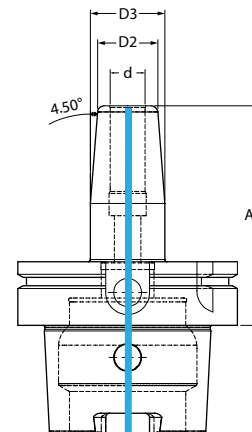


Reaming

Please note that the maximum RPM listed in our catalog may vary depending on the toolholder shank, weight, balanceability and the G rating.

## STANDARD

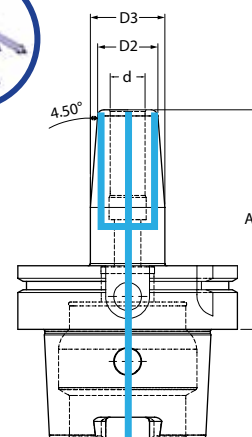
Part Number	d	A	D2	D3
H63A-SF0250-3.15	1/4"	3.15"	0.79"	1.06"
H63A-SF0375-3.35	3/8"	3.35"	0.94"	1.26"
H63A-SF0500-3.54	1/2"	3.54"	0.94"	1.26"
H63A-SF0625-3.74	5/8"	3.74"	1.06"	1.34"
H63A-SF0750-3.94	3/4"	3.94"	1.30"	1.65"
H63A-SF1000-4.53	1"	4.53"	1.73"	2.09"
H63A-SF6-80	6mm	3.15"	0.79"	1.06"
H63A-SF8-80	8mm	3.15"	0.79"	1.06"
H63A-SF10-85	10mm	3.35"	0.94"	1.26"
H63A-SF12-90	12mm	3.54"	0.94"	1.26"
H63A-SF16-95	16mm	3.74"	1.06"	1.34"
H63A-SF20-100	20mm	3.94"	1.30"	1.65"
H63A-SF25-115	25mm	4.53"	1.73"	2.09"



Standard - DIN69893A / DIN 69882-8

## STANDARD COOLANT PORTED

Part Number	d	A	D2	D3
H63A-SF0250-3.15CP	1/4"	3.15"	0.79"	1.06"
H63A-SF0375-3.35CP	3/8"	3.35"	0.94"	1.26"
H63A-SF0500-3.54CP	1/2"	3.54"	0.94"	1.26"
H63A-SF0625-3.74CP	5/8"	3.74"	1.06"	1.34"
H63A-SF0750-3.94CP	3/4"	3.94"	1.30"	1.65"
H63A-SF1000-4.53CP	1"	4.53"	1.73"	2.09"
H63A-SF8-80CP	8mm	3.15"	0.79"	1.06"
H63A-SF10-85CP	10mm	3.35"	0.94"	1.26"
H63A-SF12-90CP	12mm	3.54"	0.94"	1.26"
H63A-SF16-95CP	16mm	3.74"	1.06"	1.34"
H63A-SF20-100CP	20mm	3.94"	1.30"	1.65"
H63A-SF25-115CP	25mm	4.53"	1.73"	2.09"



Coolant Port Option - DIN69893A / DIN 69882-8

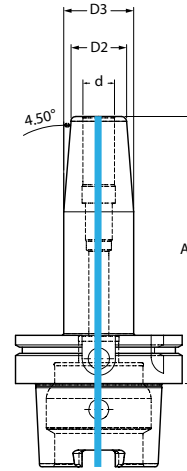
Note: Coolant tube and coolant wrench not included. Please see page 95 for more details.



## HSK63A Shrink Fit Holders

### EXTENDED

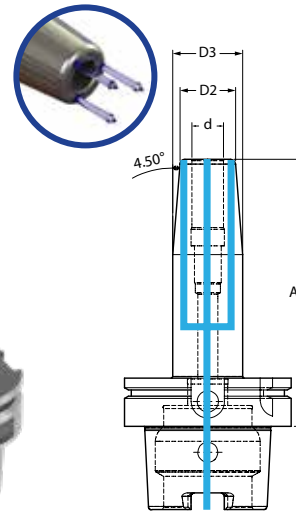
Part Number	d	A	D2	D3
H63A-SF0250-6.30	1/4"	6.30"	0.79"	1.06"
H63A-SF0375-6.30	3/8"	6.30"	0.95"	1.26"
H63A-SF0500-6.30	1/2"	6.30"	0.95"	1.26"
H63A-SF0625-6.30	5/8"	6.30"	1.06"	1.34"
H63A-SF0750-6.30	3/4"	6.30"	1.30"	1.65"
H63A-SF1000-6.30	1"	6.30"	1.73"	2.07"
H63A-SF6-160	6mm	6.30"	0.79"	1.06"
H63A-SF8-160	8mm	6.30"	0.79"	1.06"
H63A-SF10-160	10mm	6.30"	0.94"	1.26"
H63A-SF12-160	12mm	6.30"	0.94"	1.26"
H63A-SF16-160	16mm	6.30"	1.06"	1.34"
H63A-SF20-160	20mm	6.30"	1.30"	1.65"
H63A-SF25-160	25mm	6.30"	1.73"	2.07"



Extended - DIN69893A / DIN 69882-8

### EXTENDED COOLANT PORTED

Part Number	d	A	D2	D3
H63A-SF0250-6.30CP	1/4"	6.30"	0.79"	1.06"
H63A-SF0375-6.30CP	3/8"	6.30"	0.95"	1.26"
H63A-SF0500-6.30CP	1/2"	6.30"	0.95"	1.26"
H63A-SF0625-6.30CP	5/8"	6.30"	1.06"	1.34"
H63A-SF0750-6.30CP	3/4"	6.30"	1.30"	1.65"
H63A-SF1000-6.30CP	1"	6.30"	1.73"	2.07"
H63A-SF8-160CP	8mm	6.30"	0.79"	1.06"
H63A-SF10-160CP	10mm	6.30"	0.94"	1.26"
H63A-SF12-160CP	12mm	6.30"	0.94"	1.26"
H63A-SF16-160CP	16mm	6.30"	1.06"	1.34"
H63A-SF20-160CP	20mm	6.30"	1.30"	1.65"
H63A-SF25-160CP	25mm	6.30"	1.73"	2.07"



Coolant Port Option - DIN69893A / DIN 69882-8

Note: Coolant tube and coolant wrench not included. Please see page 95 for more details.

# HSK100A Shrink Fit Holders

- Excellent surface finish, extreme gripping and ideal for high-speed applications
- Pre-balanced for up to 20,000 RPM
- Increase cutting tool life, material removal rate and workpiece accuracy



**T.I.R.:** 0.0002" or better



**Speed:** up to 20,000 RPM



**Set-up:** quick and easy to operate



**Coolant-Thru:** center-thru



Milling



Drilling

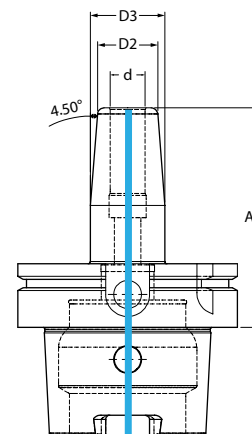


Reaming

Please note that the maximum RPM listed in our catalog may vary depending on the toolholder shank, weight, balanceability and the G rating.

## STANDARD

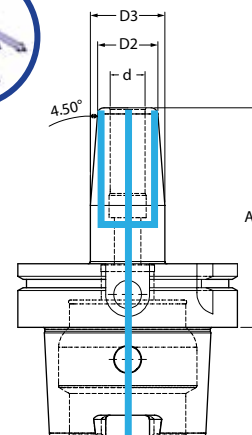
Part Number	d	A	D2	D3
H100A-SF0250-3.54	1/4"	3.54"	0.83"	1.14"
H100A-SF0375-3.54	3/8"	3.54"	0.94"	1.26"
H100A-SF0500-3.74	1/2"	3.74"	0.94"	1.26"
H100A-SF0625-3.94	5/8"	3.94"	1.06"	1.34"
H100A-SF0750-4.13	3/4"	4.13"	1.30"	1.65"
H100A-SF1000-4.53	1"	4.53"	1.73"	2.09"
H100A-SF1250-4.72	1.1/4"	4.72"	1.73"	2.09"
H100A-SF6-85	6mm	3.35"	0.83"	1.06"
H100A-SF10-90	10mm	3.54"	0.94"	1.26"
H100A-SF12-95	12mm	3.74"	0.94"	1.26"
H100A-SF16-100	16mm	3.94"	1.06"	1.34"
H100A-SF20-105	20mm	4.13"	1.30"	1.65"
H100A-SF25-115	25mm	4.53"	1.73"	2.09"
H100A-SF32-120	32mm	4.72"	1.73"	2.09"



Standard - DIN69893A / DIN 69882-8

## STANDARD COOLANT PORTED

Part Number	d	A	D2	D3
H100A-SF0250-3.54CP	1/4"	3.54"	0.83"	1.14"
H100A-SF0375-3.54CP	3/8"	3.54"	0.94"	1.26"
H100A-SF0500-3.74CP	1/2"	3.74"	0.94"	1.26"
H100A-SF0625-3.94CP	5/8"	3.94"	1.06"	1.34"
H100A-SF0750-4.13CP	3/4"	4.13"	1.30"	1.65"
H100A-SF1000-4.53CP	1"	4.53"	1.73"	2.09"
H100A-SF1250-4.72CP	1.1/4"	4.72"	1.73"	2.09"
H100A-SF10-90CP	10mm	3.54"	0.94"	1.26"
H100A-SF12-95CP	12mm	3.74"	0.94"	1.26"
H100A-SF16-100CP	16mm	3.94"	1.06"	1.34"
H100A-SF20-105CP	20mm	4.13"	1.30"	1.65"
H100A-SF25-115CP	25mm	4.53"	1.73"	2.09"
H100A-SF32-120CP	32mm	4.72"	1.73"	2.09"

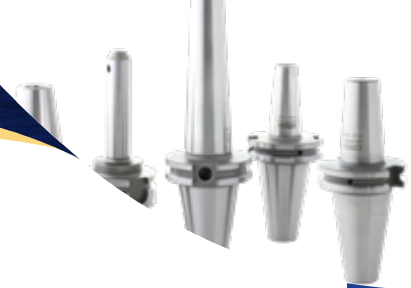


Coolant Port Option - DIN69893A / DIN 69882-8

Note: Coolant tube and coolant wrench not included. Please see page 95 for more details.

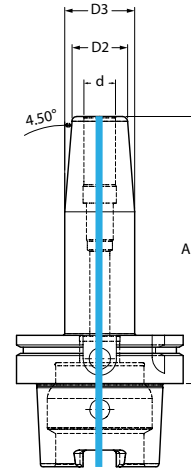


## HSK100A Shrink Fit Holders



### EXTENDED

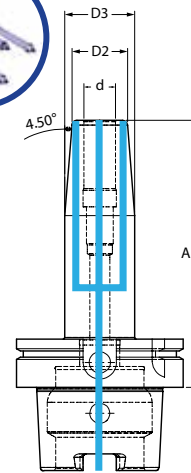
Part Number	d	A	D2	D3
H100A-SF0250-6.30	1/4"	6.30"	0.83"	1.06"
H100A-SF0375-6.30	3/8"	6.30"	0.94"	1.26"
H100A-SF0500-6.30	1/2"	6.30"	0.94"	1.26"
H100A-SF0625-6.30	5/8"	6.30"	1.06"	1.34"
H100A-SF0750-6.30	3/4"	6.30"	1.30"	1.65"
H100A-SF1000-6.30	1"	6.30"	1.73"	2.09"
H100A-SF1250-6.30	1.1/4"	6.30"	1.73"	2.09"
H100A-SF6-160	6mm	6.30"	0.83"	1.06"
H100A-SF10-160	10mm	6.30"	0.94"	1.26"
H100A-SF12-160	12mm	6.30"	0.94"	1.26"
H100A-SF16-160	16mm	6.30"	1.06"	1.34"
H100A-SF20-160	20mm	6.30"	1.30"	1.65"
H100A-SF25-160	25mm	6.30"	1.73"	2.09"
H100A-SF32-160	32mm	6.30"	1.73"	2.09"



Extended - DIN69893A / DIN 69882-8

### EXTENDED COOLANT PORTED

Part Number	d	A	D2	D3
H100A-SF0250-6.30CP	1/4"	6.30"	0.83"	1.06"
H100A-SF0375-6.30CP	3/8"	6.30"	0.94"	1.26"
H100A-SF0500-6.30CP	1/2"	6.30"	0.94"	1.26"
H100A-SF0625-6.30CP	5/8"	6.30"	1.06"	1.34"
H100A-SF0750-6.30CP	3/4"	6.30"	1.30"	1.65"
H100A-SF1000-6.30CP	1"	6.30"	1.73"	2.09"
H100A-SF1250-6.30CP	1.1/4"	6.30"	1.73"	2.09"
H100A-SF10-160CP	10mm	6.30"	0.94"	1.26"
H100A-SF12-160CP	12mm	6.30"	0.94"	1.26"
H100A-SF16-160CP	16mm	6.30"	1.06"	1.34"
H100A-SF20-160CP	20mm	6.30"	1.30"	1.65"
H100A-SF25-160CP	25mm	6.30"	1.73"	2.09"
H100A-SF32-160CP	32mm	6.30"	1.73"	2.09"



Coolant Port Option - DIN69893A / DIN 69882-8

Note: Coolant tube and coolant wrench not included.

### Coolant Tube Wrench for HSK Holders

Part Number	Description
HSK63-WRENCH	Wrench for HSK63 Coolant Tube
HSK100-WRENCH	Wrench for HSK100 Coolant Tube



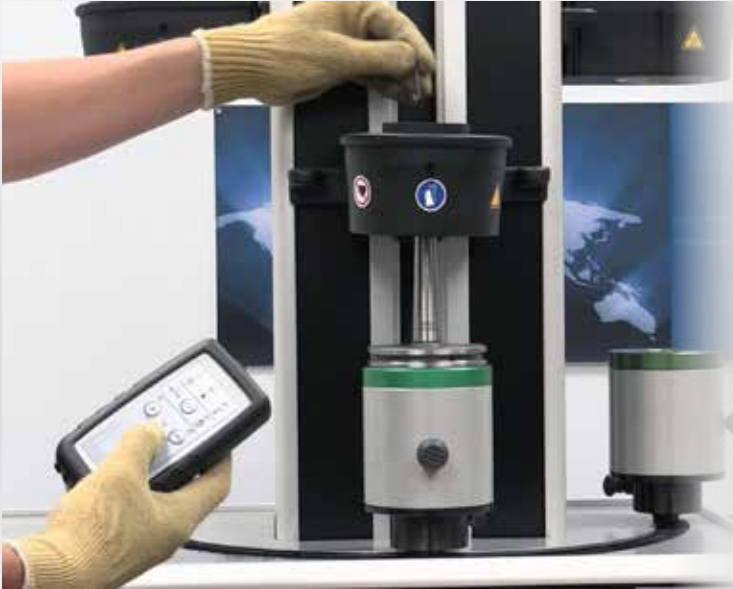
Note: Coolant Tube Wrenches are needed to remove or install coolant tubes in HSK toolholders.

### Coolant Tube for HSK Holders

Part Number	Description
HSK63-TUBE	Coolant Tube for HSK63 holder
HSK100-TUBE	Coolant Tube for HSK100 holder



## IN-DEPTH TRAINING AND LIVE DEMOS IN UNDER 30 MINUTES:



- > Receive in-depth training on our Shrink Fit products to help maximize your productivity.
- > Find out how Lyndex-Nikken's engineering, service group and product managers can further support your applications.



### THE INDUSTRY'S HIGHEST QUALITY SHRINK FIT LINE

- *High Speed: shrinking from 2 to 7 seconds*
- *Flexible Range: shrinking from 2 to 40mm (0.078" to 1.575")*

**To schedule a demo, contact your Lyndex-Nikken  
Regional Sales Manager OR send an e-mail to:  
[solutionselling@lyndexnikken.com](mailto:solutionselling@lyndexnikken.com)**



Phone: (847) 367-4800



Email: [sales@lyndexnikken.com](mailto:sales@lyndexnikken.com)



[www.lyndexnikken.com](http://www.lyndexnikken.com)

Connect with us on our  
social media channels!



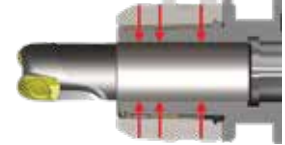


## Milling Chuck Features

Nikken is the inventor of the original Milling Chuck (U.S. Patent 7018919). Since its introduction in 1963, Nikken has sold over 3,000,000 Milling Chucks worldwide and never stopped improving upon its original design. Featuring multi-roller bearings, spiral coolant slots, and a heavy-duty nut, the Milling Chuck is the most reliable and powerful toolholder available.



**STRONGEST  
MECHANICALLY  
GRIPPING HOLDER  
IN THE WORLD!**



### Construction and Design



Forged Nickel Chrome Molybdenum 4340 ground on taper and base.



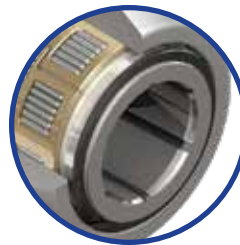
Staggered, coated steel cage packs 140% more needle rollers than competitors. This provides more gripping power. The retainer is NOT made of phosphor bronze, but rather of special steel which will never break.



Thick nut exerts immense gripping strength by collapsing tight taper on the mill chuck body.



Solid 1-piece base and thick wall provides rigidity for heavy machining.



Inner bore coolant slots project coolant at 2 degrees, assuring high pressure and volume of coolant during high RPM operations.



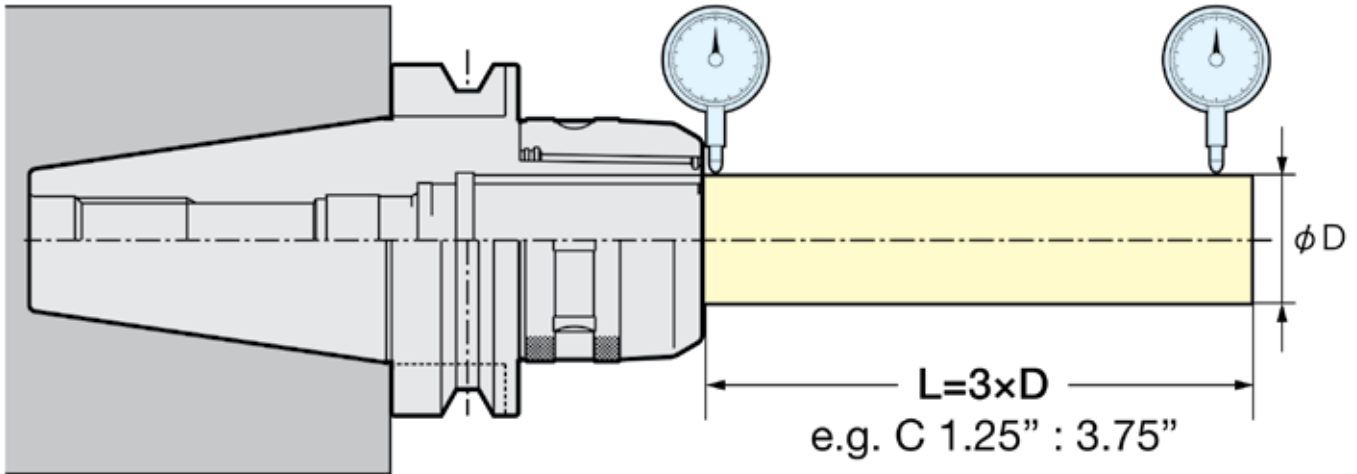
All milling chucks are cryogenically treated after heat treatment to stabilize concentrations of carbon. This prevents deformation and cracking when under stress for the life of the toolholder.

## Milling Chuck Features



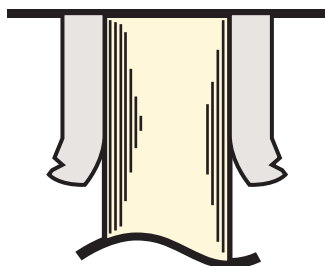
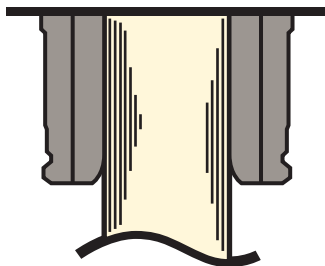
### Superior Run Out Accuracy

# Within 0.0002"



- Flange and taper grinding allow smooth and precise chucking of tool, resulting in minimal T.I.R.
- 0.0002 at 3.75" from the nose—guaranteed

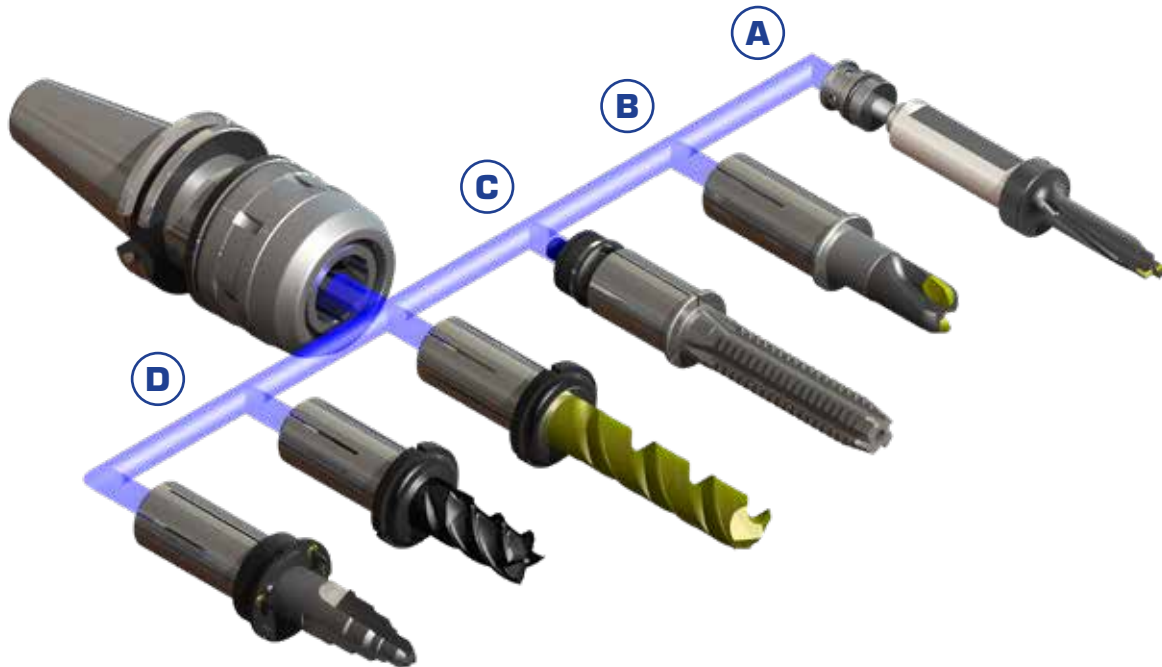
## STRONGEST Grip in the World UP TO 3,500 ft-lbs.!



Nikken's patented Milling Chuck design allows clamping force to be dispersed evenly around the entire cutting tool shank. Gripping force up to 3,500 ft-lbs. can be applied ensuring optimal cutting performance and rigidity.

## Milling Chuck Collet System

Nikken Milling Chuck Collets are designed to ensure uniform fit around the cutting tool shank. This provides maximum gripping power as well as concentric positioning of the cutting tool. All Milling Chuck Collets will surpass the precision and rigidity of traditional collet chuck systems if the cutting tool shank tolerance is guaranteed to be h6 or better.



A



### Direct Coolant Plug (thru-tool)

- By combining a backup screw and coolant plug in one, the inner diameter of the milling chuck can be used with or without coolant
- Coolant through cutter ports can easily be sealed by an o-ring located at the face of the coolant plug
- 1200 PSI capable
- Excellent for high torque deep drilling
- Available for inch and metric shanks

B



### KM Collet

- High Precision KM reduction collets extend the chucking flexibility of the milling chuck. All inch and metric standard sizes can be held by the same toolholder.
- Can be used in conjunction with a coolant back up screw for high pressure (1200 PSI) applications.

C



### NK Collet

- High precision inch and metric NK reduction collets extend the chucking flexibility of the milling chuck and offer a built in back up screw for repeatability when replacing cutters.
- Easy set up since the NK fits directly into the inner diameter of the milling chuck.



## Milling Chuck Coolant Collet System

D



### CCK Collet: Coolant-Thru

- High Pressure coolant application through existing slots
- CCK reduction collets offers flexibility to hold both metric and inch standard shanks
- Straight collet design eliminates taper tolerance variation between mating surfaces
- Many options available to configure how coolant is expelled
- CCK collets are designed with an internal coolant groove that helps channel high pressure coolant to the periphery of your cutter without any reduction of gripping strength and T.I.R. accuracy



### Coolant-Thru Nut: CKFN-C

When paired with the Nikken Milling Chuck Coolant Collet (CCK), the Coolant-Thru Nut forms a complete seal around the cutting tool. This forms an ideal combination for Coolant-Thru cutting tools.

- Internal durable O-ring seals for high pressure (750 PSI)
- Prevents swarf and chips from packing on the collet face
- Available for inch and metric shanks

*Both the Coolant Collet and the Coolant-Thru Nut must be ordered on size for each cutting tool (see pages 115-116 for sizes and part numbers).*



### Slotted Nut: CKFN

When paired with the Nikken Milling Chuck Coolant Collet (CCK), the Slotted Nut allows coolant to travel down the shank of the cutting tool to the cutting edge. This combination is ideal for non Coolant-Thru cutting tools.

- 3 angled slots keeps high pressure coolant (up to 1200 PSI) aimed toward the periphery of the cutter, even at high RPM
- Helps remove chips during deep pocketing applications
- Available for inch and metric shanks

*Both the Coolant Collet and the Slotted Nut must be ordered on size for each cutting tool (see pages 115-116 for sizes and part numbers).*



### Slotted Nut: CKFN-MN

- 3 adjustable nozzles help channel high pressure coolant to different cutter points (up to 750 PSI)
- Excellent for tools with multiple cutter points
- Available for inch and metric shanks

**Why Upgrade to the Nikken Milling Chuck?**

The Nikken Milling Chuck is a renowned universal toolholder that has proven its efficiency for years all over the world. Featuring a revolutionary design and collet system, the Nikken Milling Chuck allows for high-speed applications up to 20,000 RPM and offers incredible benefits compared to standard End Mill Holders such as higher accuracy and higher rigidity.

See below to find out what makes our Nikken Milling Chuck the best choice for any milling application.

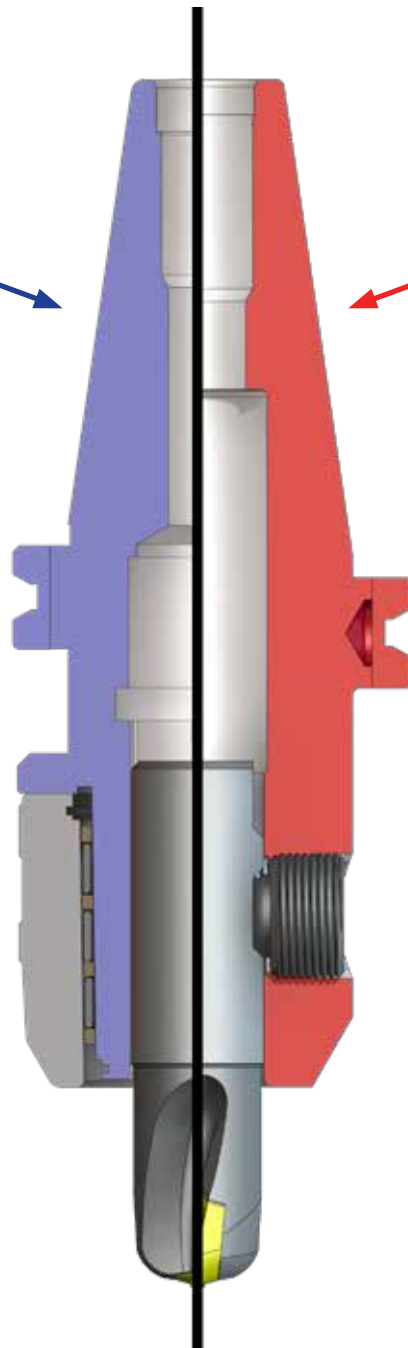
**Lyndex-Nikken  
Milling Chuck**

**End Mill Holder**

AT3 or better taper tolerance

AT4 taper tolerance

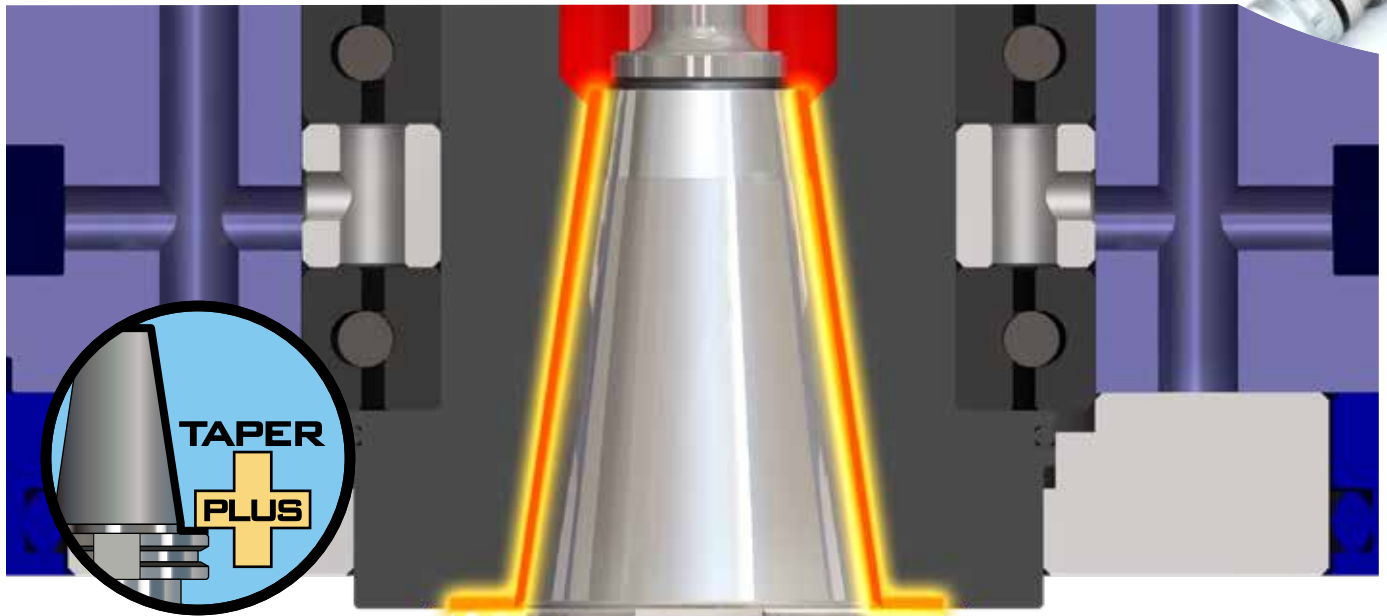
- Most powerful collet chuck in the world
- Symmetrical design—pre-balanced body and nut allow the milling chuck to operate beyond 20,000 RPM
- Outside bearing nut mechanically induces tight taper of the milling chuck to evenly collapse onto the cutting shank for high precision T.I.R.
- 6 angled coolant slots are standard, providing high pressure and high volume of coolant directed toward the periphery of the cutting tool



- 120 year-old concept for holding tools
- Non-symmetrical design creates imbalance
- Requires tools with Weldon flats which create further imbalance
- Set screw shifts cutter off center which creates unacceptable run-out for precision milling
- Coolant slots are optional and are not large enough to create high volume of cutting fluid under high pressure applications



## Taper Plus - Dual Contact Toolholders



Look for the Taper Plus logo for dual-taper and flange contact availability.

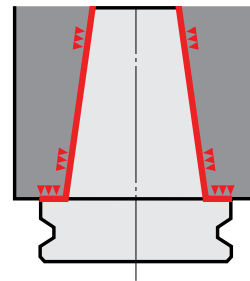
### DUAL Taper & Flange Contact Advantages

- High Rigidity for smooth and stable cutting
- Vibration Dampening for increased productivity
- Outstanding Runout Accuracy for longer tool life
- Interchangeable between Standard and Dual Face Contact spindles for greater flexibility

### The Power of the Dampening Effect

Taper and Flange Contact establishes 53.3% more surface area contact than just the taper alone, creating a dampening effect that eliminates chatter and vibration.

With the additional flange contact becoming a supportive cantilever, cutting rigidity is highly improved.



CAT/BT Dual Face Contact Spindle + Taper Plus Toolholder

### High Quality Taper Grinding

AT3 or better taper tolerance.

- All 40 taper tool angles are manufactured within  $\pm 0.0011$  degrees angular tolerance
- Largest diameter of taper (where rigidity is established) is held within  $\pm 80$  millionths (.00008")
- Precision ground taper ensures 80% or better taper contact



## CAT Milling Chucks

- Nikken patented design
- Nut body contact, nose clamping and anti-vibration mechanism
- Thick body and internal slots provide extremely strong chucking torque and rigidity
- Quiet and stable heavy milling
- 140% more bearing surface than competitors' milling chucks



**T.I.R.:** <0.0002" at 3xD



**Speed:** up to 20,000 RPM



**Set-up:** quick and easy



**Coolant-Thru:** thru-tool coolant



Milling



Drilling



Tapping



Reaming

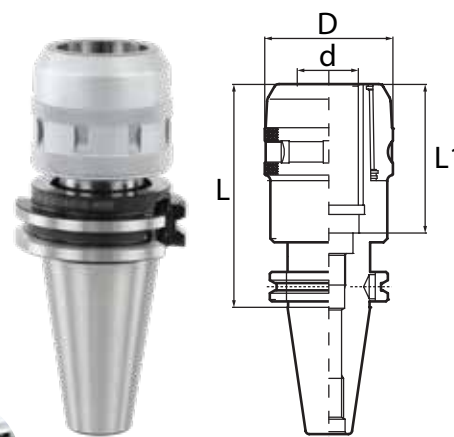
Please note that the maximum RPM listed in our catalog may vary depending on the toolholder shank, weight, balanceability and the G rating.

### CAT40

Part Number	Collet Size	Clamping Range	Spanner Wrench	d	L	L1	D
CAT40-C3/4-70U-IDU*	KM3/4	0.125 - 0.750"	9HC22	0.750"	2.755"	3.149"	2.027"
CAT40-C3/4-85U-IDU	KM3/4	0.125 - 0.750"	9HC22	0.750"	3.346"	3.149"	2.027"
CAT40-C3/4-105U-IDU	KM3/4	0.125 - 0.750"	9HC22	0.750"	4.133"	3.149"	2.047"
CAT40-C3/4-120U-IDU	KM3/4	0.125 - 0.750"	9HC22	0.750"	4.724"	3.149"	2.027"
CAT40-C1-85U-IDU	KM1	0.125 - 1.000"	9HC25	1.000"	3.346"	3.149"	2.342"
CAT40-C1-105U-IDU	KM1	0.125 - 1.000"	9HC25	1.000"	4.133"	3.149"	2.342"
CAT40-C1.1/4-85U-IDU**	KM1-1/4	0.187 - 1.250"	9HC32	1.250"	3.346"	3.031"	2.519"
CAT40-C1.1/4SL-105U-IDU	KM1-1/4	0.187 - 1.250"	9HC32	1.250"	4.133"	3.031"	2.716"
CAT40-C1.1/4SL-120U-IDU	KM1-1/4	0.187 - 1.250"	9HC32	1.250"	4.724"	3.149"	2.716"
CAT40-C32-105U-IDU	KM32	6 - 32mm	9HC32	32mm	4.133"	3.031"	2.519"

Note:

- Spanner wrench not included.
- \*CAT40-C3/4-70U Milling Chuck does not have safety recess.
- \*\*Coolant-Thru nut and slotted nut will not fit CAT40-C1.1/4-85U (old generation)



Available in **TAPER PLUS** Dual-taper and flange contact

### CAT50

Part Number	Collet Size	Clamping Range	Spanner Wrench	d	L	L1	D
CAT50-C3/4-105U-IDU	KM3/4	0.125 - 0.750"	9HC22	0.750"	4.133"	3.149"	2.027"
CAT50-C3/4-135U-IDU	KM3/4	0.125 - 0.750"	9HC22	0.750"	5.314"	3.149"	2.027"
CAT50-C3/4-165U-IDU	KM3/4	0.125 - 0.750"	9HC22	0.750"	6.496"	3.149"	2.027"
CAT50-C1-105U-IDU	KM1	0.125 - 1.000"	9HC25	1.000"	4.133"	3.149"	2.342"
CAT50-C1-135U-IDU	KM1	0.125 - 1.000"	9HC25	1.000"	5.314"	3.149"	2.342"
CAT50-C1.1/4-90U-IDU	KM1-1/4	0.187 - 1.250"	9HC32	1.250"	3.543"	4.133"	2.716"
CAT50-C1.1/4-105U-IDU	KM1-1/4	0.187 - 1.250"	9HC32	1.250"	4.133"	4.133"	2.716"
CAT50-C1.1/4-135U-IDU	KM1-1/4	0.187 - 1.250"	9HC32	1.250"	5.314"	4.133"	2.716"
CAT50-C1.1/4-165U-IDU	KM1-1/4	0.187 - 1.250"	9HC32	1.250"	6.496"	4.133"	2.716"
CAT50-C32-105U-IDU	KM32	6 - 32mm	9HC32	32mm	4.133"	4.133"	2.716"
CAT50-C32-165U-IDU	KM32	6 - 32mm	9HC32	32mm	6.496"	4.133"	2.716"
CAT50-C2-125U-IDU	KM2	1.000 - 2.000"	9HC50	2.000"	4.921"	3.228"	4.133"

Note: Spanner wrench not included.

Available in **TAPER PLUS** Dual-taper and flange contact



KM & NK  
Collets  
Pages 113-114



Spanner  
Wrench  
Page 117



Back-Up  
Screw  
Page 117



Coolant-Thru &  
Slotted Nuts  
Page 115-116

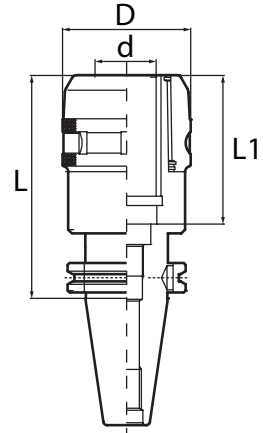
## CAT Milling Chucks



### CAT40 - DIN

Part Number	Collet Size	Clamping Range	Spanner Wrench	d	L	L1	D
CAT40-C3/4F-85U	KM3/4	0.125-0.750"	9HC22	0.750"	3.346"	3.149"	2.047"
CAT40-C3/4F-105U	KM3/4	0.125-0.750"	9HC22	0.750"	4.133"	3.149"	2.047"
CAT40-C1F-105U	KM1	0.125-1.000"	9HC25	1.000"	4.133"	3.149"	2.342"
CAT40-C1F-85U	KM1	0.125-1.000"	9HC25	1.000"	3.346"	3.149"	2.342"
CAT40-C1.1/4SLF-120U	KM1-1/4	0.187-1.250"	9HC32	1.250"	4.724"	4.133"	2.716"

Note: Spanner wrench not included.



### CAT50 - DIN

Part Number	Collet Size	Clamping Range	Spanner Wrench	d	L	L1	D
CAT50-C3/4F-105U	KM3/4	0.125-0.750"	9HC22	0.750"	4.133"	3.149"	2.047"
CAT50-C3/4F-135U	KM3/4	0.125-0.750"	9HC22	0.750"	5.314"	3.149"	2.047"
CAT50-C1F-105U	KM1	0.125-1.000"	9HC25	1.000"	4.133"	4.133"	2.342"
CAT50-C1F-135U	KM1	0.125-1.000"	9HC25	1.000"	5.314"	3.149"	2.342"
CAT50-C1.1/4F-135U	KM1-1/4	0.187-1.250"	9HC32	1.250"	5.314"	4.133"	2.716"

Note: Spanner wrench not included.



**TAPER PLUS**

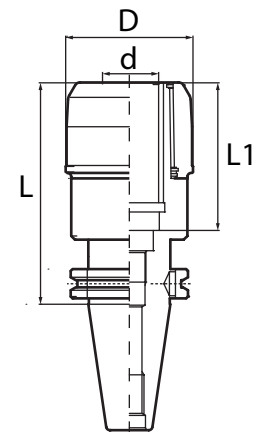
Dual-taper and flange contact available. See page 111.

### CAT40 High Speed

Part Number	Collet Size	Clamping Range	High-Speed Spanner Wrench	d	L	L1	D
CAT40-C3/4-85UG-IDU	KM3/4	0.125-0.750"	GH20	0.750"	3.346"	3.149"	2.047"
CAT40-C3/4-105UG-IDU	KM3/4	0.125-0.750"	GH20	0.750"	4.724"	3.149"	2.047"
CAT40-C1-105UG-IDU	KM1	0.125-1.000"	GH25	1.000"	4.133"	3.149"	2.362"
CAT40-C1.1/4SL-105UG-IDU	KM1.1/4	0.187-1.250"	GH32	1.250"	4.133"	3.031"	2.716"
CAT40-C1.1/4SL-120UG-IDU	KM1.1/4	0.187-1.250"	GH32	1.250"	4.724"	3.149"	2.716"

Note:

- High-speed spanner wrench not included.
- High-speed CAT40 Milling Chucks use special high-speed spanner wrenches.



### CAT50 High Speed

Part Number	Collet Size	Clamping Range	High-Speed Spanner Wrench	d	L	L1	D
CAT50-C3/4-105UG	KM3/4	0.125-0.750"	GH20	0.750"	4.133"	3.149"	2.047"
CAT50-C3/4-135UG	KM3/4	0.125-0.750"	GH20	0.750"	5.314"	3.149"	2.047"
CAT50-C1-105UG-IDU	KM1	0.125-1.000"	GH25	1.000"	4.133"	3.149"	2.362"
CAT50-C1-135UG	KM1	0.125-1.000"	GH25	1.000"	5.314"	3.149"	2.362"
CAT50-C1.1/4-105UG-IDU	KM1.1/4	0.187-1.250"	GH32	1.250"	4.133"	4.133"	2.716"
CAT50-C1.1/4-135UG	KM1.1/4	0.187-1.250"	GH32	1.250"	5.314"	4.133"	2.716"

Note:

- High-speed spanner wrench not included.
- High-speed CAT50 Milling Chucks use special high-speed spanner wrenches.



**TAPER PLUS**

Dual-taper and flange contact available. See page 111.



KM & NK Collets  
Pages 113-114



Spanner Wrench  
Page 117



Back-Up Screw  
Page 117



Coolant-Thru & Slotted Nuts  
Page 115-116

## BT Milling Chucks

- Nikken patented design
- Nut body contact, nose clamping and anti-vibration mechanism
- Thick body and internal slots provide extremely strong chucking torque and rigidity
- Quiet and stable heavy milling
- 140% more bearing surface than competitors' milling chucks



**T.I.R.:** <0.0002" at 3xD



**Speed:** up to 20,000 RPM



**Set-up:** quick and easy



**Coolant-Thru:** thru-tool coolant



Milling



Drilling



Tapping



Reaming

Please note that the maximum RPM listed in our catalog may vary depending on the toolholder shank, weight, balanceability and the G rating.

### BT30

Part Number	Collet Size	Clamping Range	Spanner Wrench	d	L	L1	D
BT30-C3/4-75*	KM3/4	0.125-0.750"	9HC22	0.750"	2.952"	3.162"	2.027"

Note:

- Spanner wrench not included.
- "\*" indicates stubby style.



Available in **TAPER PLUS** <sup>+</sup> Dual-taper and flange contact

### BT40

Part Number	Collet Size	Clamping Range	Spanner Wrench	d	L	L1	D
BT40-C3/4-70*	KM3/4	0.125-0.750"	9HC22	0.750"	2.755"	3.149"	2.027"
BT40-C3/4-105	KM3/4	0.125-0.750"	9HC22	0.750"	4.133"	3.149"	2.027"
BT40-C1-70*	KM1	0.125-1.000"	9HC25	1.000"	2.755"	3.149"	2.342"
BT40-C1-90	KM1	0.125-1.000"	9HC25	1.000"	3.543"	3.149"	2.342"
BT40-C1.1/4-85	KM1-1/4	0.187-1.250"	9HC32	1.250"	3.346"	3.031"	2.716"
BT40-C1.1/4-120	KM1-1/4	0.187-1.250"	9HC32	1.250"	4.724"	4.133"	2.716"
BT40-C32-105	KM32	6 - 32mm	9HC32	32mm	4.133"	3.543"	2.716"

Note:

- Spanner wrench not included.
- "\*" indicates stubby style.

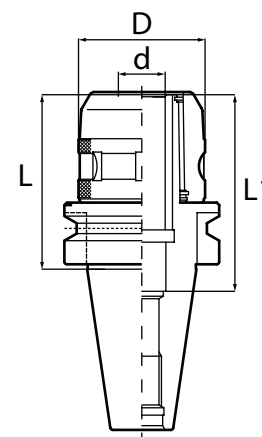


Available in **TAPER PLUS** <sup>+</sup> Dual-taper and flange contact

### BT50

Part Number	Collet Size	Clamping Range	Spanner Wrench	d	L	L1	D
BT50-C3/4-105	KM3/4	0.125-0.750"	9HC22	0.750"	4.133"	3.149"	2.027"
BT50-C3/4-135	KM3/4	0.125-0.750"	9HC22	0.750"	5.314"	3.149"	2.027"
BT50-C1-105	KM1	0.125-1.000"	9HC25	1.000"	4.133"	3.149"	2.342"
BT50-C1-135	KM1	0.125-1.000"	9HC25	1.000"	5.314"	3.149"	2.342"
BT50-C1.1/4-90	KM1-1/4	0.187-1.250"	9HC32	1.250"	3.543"	4.133"	2.716"
BT50-C1.1/4-135	KM1-1/4	0.187-1.250"	9HC32	1.250"	5.314"	4.133"	2.716"
BT50-C32-105	KM32	6 - 32mm	9HC32	32mm	4.133"	4.133"	2.716"
BT50-C32-165	KM32	6 - 32mm	9HC32	32mm	6.496"	4.133"	2.716"
BT50-C2-105	KM2	1.000-2.000"	9HC50	2.000"	4.133"	3.543"	4.133"

Note: Spanner wrench not included.



## BT Milling Chucks



### BT30 High Speed

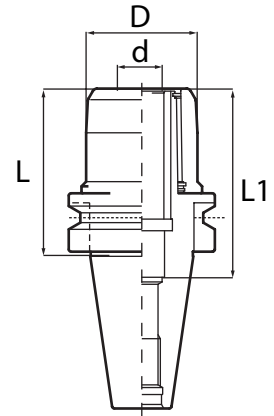
Part Number	Collet Size	Clamping Range	High-Speed Spanner Wrench	d	L	L1	D
BT30-C3/4-75G**	KM3/4	0.125-0.750"	GH20	0.750"	2.952"	2.362"	2.047"

Note:

- High-speed spanner wrench not included
- High-speed BT30 Milling Chucks use special high-speed spanner wrenches



Available in **TAPER PLUS** Dual-taper and flange contact



### BT40 High Speed

Part Number	Collet Size	Clamping Range	High-Speed Spanner Wrench	d	L	L1	D
BT40-C3/4-70G*	KM3/4	0.125-0.750"	GH20	0.750"	2.755"	3.149"	2.047"
BT40-C3/4-105G	KM3/4	0.125-0.750"	GH20	0.750"	4.133"	3.149"	2.047"
BT40-C1-70G*	KM1	0.125-1.000"	GH25	1.000"	2.755"	3.149"	2.362"
BT40-C1-90G	KM1	0.125-1.000"	GH25	1.000"	3.543"	3.149"	2.362"
BT40-C1.1/4-85G	KM1.1/4	0.187-1.250"	GH32	1.250"	3.346"	3.031"	2.716"
BT40-C1.1/4-120G	KM1.1/4	0.187-1.250"	GH32	1.250"	4.724"	2.677"	2.716"

Note:

- "\*" indicates stubby style.
- High-speed spanner wrench not included.
- High-speed BT40 Milling Chucks use special high-speed spanner wrenches.



Available in **TAPER PLUS** Dual-taper and flange contact

### BT50 High Speed

Part Number	Collet Size	Clamping Range	High-Speed Spanner Wrench	d	L	L1	D
BT50-C3/4-105G	KM3/4	0.125-0.750"	GH20	0.750"	4.133"	3.149"	2.047"
BT50-C3/4-135G	KM3/4	0.125-0.750"	GH20	0.750"	5.314"	3.149"	2.047"
BT50-C1-105G	KM1	0.125-1.000"	GH25	1.000"	4.133"	3.149"	2.362"
BT50-C1-135G	KM1	0.125-1.000"	GH25	1.000"	5.314"	3.149"	2.362"
BT50-C1.1/4-90G	KM1.1/4	0.187-1.250"	GH32	1.250"	3.543"	4.133"	2.716"
BT50-C1.1/4-135G	KM1.1/4	0.187-1.250"	GH32	1.250"	5.314"	4.133"	2.716"

Note:

- High-speed spanner wrench not included.
- High-speed BT50 Milling Chucks use special high-speed spanner wrenches.



KM & NK Collets  
Pages 113-114



Spanner Wrench  
Page 117



Back-Up Screw  
Page 117



Coolant-Thru & Slotted Nuts  
Page 115-116

**HSK Milling Chucks**

- Nikken patented design
- Nut body contact, nose clamping and anti-vibration mechanism
- Thick body and internal slots provide extremely strong chucking torque and rigidity
- Quiet and stable heavy milling
- 140% more bearing surface than competitors' milling chucks



**T.I.R.:** <0.0002" at 3xD



**Speed:** up to 20,000 RPM



**Set-up:** quick and easy



**Coolant-Thru:** thru-tool coolant



Milling



Drilling



Tapping



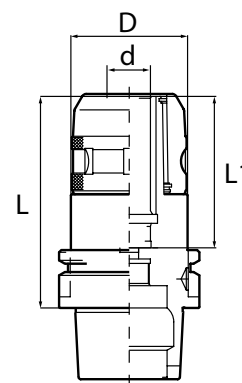
Reaming

Please note that the maximum RPM listed in our catalog may vary depending on the toolholder shank, weight, balanceability and the G rating.

**HSK63A**

Part Number	Collet Size	Clamping Range	Spanner Wrench	d	L	L1	D
HSK63A-C3/4-95	KM3/4	0.125-0.750"	9HC22	0.750"	3.740"	2.677"	2.027"
HSK63A-C3/4-110	KM3/4	0.125-0.750"	9HC22	0.750"	4.330"	3.149"	2.027"
HSK63A-C1-100	KM1	0.125-1.000"	9HC25	1.000"	3.937"	2.972"	2.342"
HSK63A-C1-130	KM1	0.125-1.000"	9HC25	1.000"	5.118"	3.149"	2.342"
HSK63A-C1.1/4-110	KM1.1/4	0.187-1.250"	9HC32	1.250"	4.330"	3.267"	2.716"
HSK63A-C1.1/4-130	KM1.1/4	0.187-1.250"	9HC32	1.250"	5.118"	3.188"	2.716"
HSK63A-C32-130	KM32	6 - 32mm	9HC32	32mm	5.118"	3.188"	2.716"

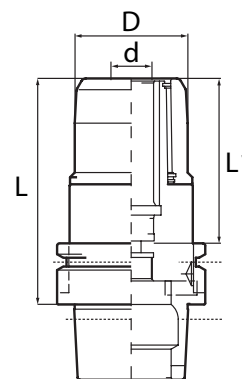
Note: Spanner wrench, coolant tube and coolant tube wrench not included. Please see page 117 for more details.



**HSK63A High Speed**

Part Number	Collet Size	Clamping Range	High-Speed Spanner Wrench	d	L	L1	D
HSK63A-C3/4-95G	KM3/4	0.125-0.750"	GH20	0.750"	3.740"	2.677"	1.889"
HSK63A-C3/4-110G	KM3/4	0.125-0.750"	GH20	0.750"	4.330"	3.149"	1.889"
HSK63A-C1-100G	KM1	0.125-1.000"	GH25	1.000"	3.937"	2.972"	2.149"
HSK63A-C1-130G	KM1	0.125-1.000"	GH25	1.000"	5.118"	2.149"	2.165"
HSK63A-C1.1/4-110G	KM1.1/4	0.187-1.250"	GH32	1.250"	4.330"	3.267"	2.677"
HSK63A-C1.1/4-130G	KM1.1/4	0.187-1.250"	GH32	1.250"	5.118"	3.188"	2.677"

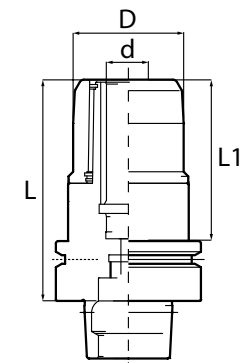
- Note:
- High-Speed Spanner wrench, coolant tube and coolant tube wrench not included. Please see page 117 for more details.
  - High-speed HSK63A Milling Chucks use special high-speed spanner wrenches.



**HSK63F High Speed**

Part Number	Collet Size	Clamping Range	High-Speed Spanner Wrench	d	L	L1	D
HSK63F-C3/4-95G	KM3/4	0.125-0.750"	GH20	0.750"	3.740"	2.677"	3.307"
HSK63F-C1-100G	KM1	0.125-1.000"	GH25	1.000"	3.937"	2.952"	2.149"
HSK63F-C1.1/4-110G	KM1.1/4	0.187-1.250"	GH32	1.250"	4.330"	3.267"	2.677"

- Note:
- High-Speed Spanner wrench, coolant tube, and coolant tube wrench not included. Please see page 117 for more details.
  - High-speed HSK63F Milling Chucks use special high-speed spanner wrenches.



Milling Chucks



KM & NK Collets  
Pages 113-114



Spanner Wrench  
Page 117



Back-Up Screw  
Page 117



Coolant-Thru & Slotted Nuts  
Page 115-116

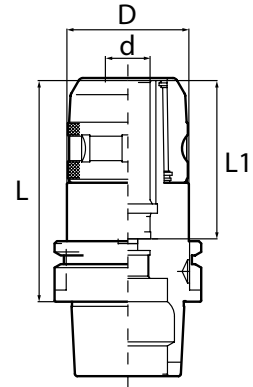
## HSK Milling Chucks



### HSK100A

Part Number	Collet Size	Clamping Range	Spanner Wrench	d	L	L1	D
HSK100A-C3/4-115	KM3/4	0.125-0.750"	9HC22	0.750"	4.527"	3.149"	2.027"
HSK100A-C3/4-135	KM3/4	0.125-0.750"	9HC22	0.750"	5.314"	3.149"	2.027"
HSK100A-C1-115	KM1	0.125-1.000"	9HC25	1.000"	4.527"	3.149"	2.342"
HSK100A-C1-135	KM1	0.125-1.000"	9HC25	1.000"	5.314"	3.149"	2.342"
HSK100A-C1.1/4-115	KM1-1/4	0.187-1.250"	9HC32	1.250"	4.527"	3.267"	2.716"
HSK100A-C1.1/4-165	KM1-1/4	0.187-1.250"	9HC32	1.250"	6.496"	3.188"	2.716"
HSK100A-C32-135	KM32	6 - 32mm	9HC32	32mm	5.314"	3.188"	2.716"
HSK100A-C2-125	KM2	1.000-2.000"	9HC50	2.000"	4.921"	3.543"	4.133"

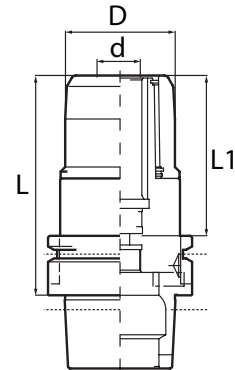
Note: Spanner wrench, coolant tube, and coolant tube wrench not included.  
Please see page 117 for more details.



### HSK100A High Speed

Part Number	Collet Size	Clamping Range	High-Speed Spanner Wrench	d	L	L1	D
HSK100A-C3/4-115G	KM3/4	0.125-0.750"	GH20	0.750"	4.527"	3.149"	2.047"
HSK100A-C3/4-135G	KM3/4	0.125-0.750"	GH20	0.750"	5.314"	3.149"	2.047"
HSK100A-C1-115G	KM1	0.125-1.000"	GH25	1.000"	4.527"	3.149"	2.362"
HSK100A-C1-135G	KM1	0.125-1.000"	GH25	1.000"	5.314"	3.149"	2.362"
HSK100A-C1.1/4-115G	KM1.1/4	0.187-1.250"	GH32	1.250"	4.527"	3.267"	2.716"
HSK100A-C1.1/4-165G	KM1.1/4	0.187-1.250"	GH32	1.250"	6.496"	3.188"	2.716"

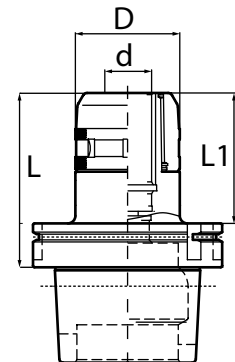
- Note:
- Spanner wrench, coolant tube, and coolant tube wrench not included. Please see page 117 for more details.
  - High-speed HSK100A Milling Chucks use special high-speed spanner wrenches.



### HSK125A

Part Number	Collet Size	Clamping Range	Spanner Wrench	d	L	L1	D
HSK125A-C1-115	KM1	0.125-1.000"	9HC25	1.000"	4.527"	3.031"	2.047"
HSK125A-C1.1/4-115	KM1-1/4	0.187-1.250"	9HC32	1.250"	4.527"	3.386"	2.716"
HSK125A-C2-125	KM2	1.000-2.000"	9HC50	2.000"	4.921"	3.780"	4.134"

Note: Spanner wrench, coolant tube, and coolant tube wrench not included.  
Please see page 117 for more details.



KM & NK  
Collets  
Pages 113-114



Spanner  
Wrench  
Page 117



Back-Up  
Screw  
Page 117



Coolant-Thru &  
Slotted Nuts  
Page 115-116

## NMTB Milling Chucks

- Nikken patented design
- Nut body contact, nose clamping and anti-vibration mechanism
- Thick body and internal slots provide extremely strong chucking torque and rigidity
- Quiet and stable heavy milling
- 140% more bearing surface than competitors' milling chucks



**T.I.R.:** <0.0002" at 3xD



**Set-up:** quick and easy



**Coolant-Thru:** thru-tool coolant



Milling



Drilling



Tapping



Reaming

### NMTB40

Part Number	Collet Size	Clamping Range	Spanner Wrench	d	L	L1	D
NMTB40-C3/4-70	KM3/4	0.125-0.750"	9HC22	0.750"	2.755"	3.149"	2.027"
NMTB40-C1.1/4-105	KM1-1/4	0.187-1.250"	9HC25	1.250"	4.133"	3.149"	2.716"

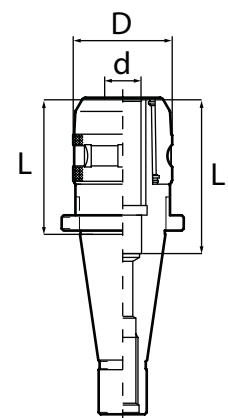
Note: Spanner wrench not included.

### NMTB50

Part Number	Collet Size	Clamping Range	Spanner Wrench	d	L	L1	D
NMTB50-C3/4-65	KM3/4	0.125-0.750"	9HC22	0.750"	2.559"	3.149"	2.027"
NMTB50-C1.1/4-90	KM1-1/4	0.187-1.250"	9HC25	1.250"	3.543"	4.133"	2.716"
NMTB50-C2-105	KM2	1.000-2.000"	9HC50	2.000"	4.133"	3.543"	4.133"

Note:

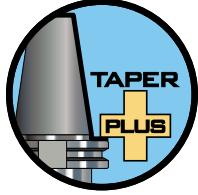
- Spanner wrench not included.
- All NMTB shanks are suitable for use with Erickson Quick Change spindles.



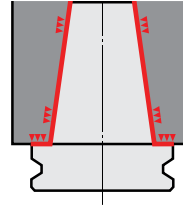


## Taper Plus CAT Milling Chucks

### Taper Plus Advantages



- Outstanding runout accuracy for longer tool life
- Vibration dampening for increased productivity
- High rigidity for smooth and stable cutting
- Interchangeable between standard and dual face contact spindles
- 53% more surface area contact than just the taper alone



### Taper Plus - CAT40

Part Number	Collet Series	Wrench	Clamping Range	d	L	D
NCAT40-C1-105U	KM1 or CCK1	9HC25	0.125-1.000"	1.000"	4.133"	2.362"
NCAT40-C1.1/4SL-120U	KM1.1/4 or CCK1.1/4	9HC32	0.125-1.250"	1.250"	4.724"	2.716"

Note: "N" denotes Taper Plus dual face contact.

### Taper Plus - CAT50

Part Number	Collet Series	Wrench	Clamping Range	d	L	D
NCAT50-C3/4-105U	KM3/4 or CCK3/4	9HC22	0.125-0.750"	0.750"	4.133"	2.047"
NCAT50-C3/4-135U	KM3/4 or CCK3/4	9HC22	0.125-0.750"	0.750"	5.314"	2.047"
NCAT50-C3/4-165U	KM3/4 or CCK3/4	9HC22	0.125-0.750"	0.750"	6.496"	2.047"
NCAT50-C1-135U	KM1 or CCK1	9HC25	0.125-1.000"	1.000"	5.314"	2.362"
NCAT50-C1.1/4-90U	KM1.1/4 or CCK1.1/4	9HC32	0.187-1.250"	1.250"	3.543"	2.716"
NCAT50-C2-105U	KM2 or CCK2	9HC50	1.000-2.000"	2.000"	4.133"	4.133"

Note: "N" denotes Taper Plus dual face contact.

### Taper Plus - CAT40 High Speed

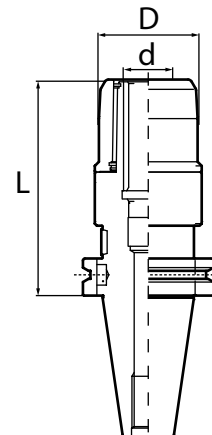
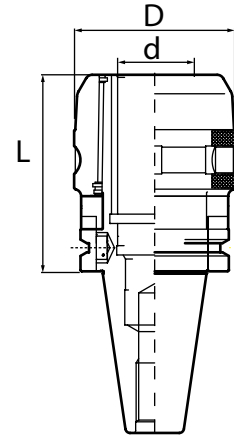
Part Number	Collet Series	High-Speed Spanner Wrench	Clamping Range	d	L	D
NCAT40-C3/4-120UG	KM3/4 or CCK3/4	GH20	0.125-0.750"	0.750"	4.724"	1.889"
NCAT40-C1-85UG	KM1 or CCK1	GH25	0.125-1.000"	1.000"	3.346"	2.362"
NCAT40-C1.1/4SL-85UG	KM1.1/4 or CCK1.1/4	GH32	0.187-1.250"	1.250"	3.346"	2.677"
NCAT40-C1.1/4SL105UG	KM1.1/4 or CCK1.1/4	GH32	0.187-1.250"	1.250"	4.133"	2.677"
NCAT40-C1.1/4SL120UG	KM1.1/4 or CCK1.1/4	GH32	0.187-1.250"	1.250"	4.724"	2.677"

Note: "N" denotes Taper Plus dual face contact.

### Taper Plus - CAT50 High Speed

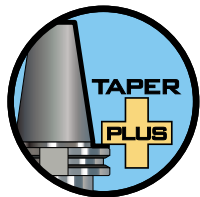
Part Number	Collet Series	High-Speed Spanner Wrench	Clamping Range	d	L	D
NCAT50-C3/4-105UG	KM3/4 or CCK3/4	GH20	0.125-0.750"	0.750"	4.133"	1.889"
NCAT50-C1-105UG	KM1 or CCK1	GH25	0.125-1.000"	1.000"	4.133"	2.362"
NCAT50-C1-135UG	KM1 or CCK1	GH25	0.125-1.000"	1.000"	5.314"	2.362"
NCAT50-C1.1/4-90UG	KM1.1/4 or CCK1.1/4	GH32	0.187-1.250"	1.250"	3.543"	2.716"
NCAT50-C1.1/4-105UG	KM1.1/4 or CCK1.1/4	GH32	0.187-1.250"	1.250"	4.133"	2.716"

Note: "N" denotes Taper Plus dual face contact.

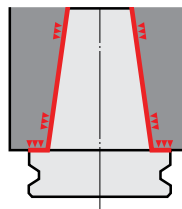


## Taper Plus BT Milling Chuck

### Taper Plus Advantages



- Outstanding runout accuracy for longer tool life
- Vibration dampening for increased productivity
- High rigidity for smooth and stable cutting
- Interchangeable between standard and dual face contact spindles
- 53% more surface area contact than just the taper alone



### Taper Plus - BT30

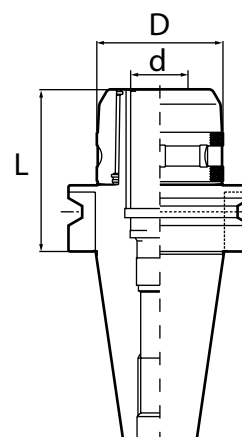
Part Number	Collet Series	Wrench	Clamping Range	d	L	D
NBT30-C3/4-75	KM3/4 or CCK3/4	9HC22	0.125-0.750"	0.750"	2.952"	2.047"

Note: "N" denotes Taper Plus dual face contact.

### Taper Plus - BT40

Part Number	Collet Series	Wrench	Clamping Range	d	L	D
NBT40-C3/4-70	KM3/4 or CCK3/4	9HC22	0.125-0.750"	0.750"	2.755"	2.047"
NBT40-C1-70	KM1 or CCK1	9HC25	0.125-1.000"	1.000"	2.755"	2.047"
NBT40-C1-90	KM1 or CCK1	9HC25	0.125-1.000"	1.000"	3.543"	2.047"
NBT40-C1.1/4-85	KM1.1/4 or CCK1.1/4	9HC32	0.187-1.250"	1.250"	3.346"	2.716"
NBT40-C1.1/4-120	KM1.1/4 or CCK1.1/4	9HC32	0.187-1.250"	1.250"	4.724"	2.716"

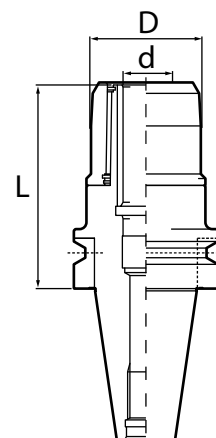
Note: "N" denotes Taper Plus dual face contact.



### Taper Plus - BT30 High Speed

Part Number	Collet Series	High-Speed Spanner Wrench	Clamping Range	d	L	D
NBT30-C3/4-75G	KM3/4 or CCK3/4	GH20	0.125-0.750"	0.750"	2.952"	1.890"
NBT30-C1-75G	KM1 or CCK1	GH25	0.125-1.000"	1.000"	2.952"	2.165"
NBT30-C1.1/4-100G	KM1.1/4 or CCK1.1/4	GH32S	0.187-1.250"	1.250"	3.937"	2.517"

Note: "N" denotes Taper Plus dual face contact.



### Taper Plus - BT40 High Speed

Part Number	Collet Series	High-Speed Spanner Wrench	Clamping Range	d	L	D
NBT40-C3/4-70G	KM3/4 or CCK3/4	GH20	0.125-0.750"	0.750"	2.755"	1.889"
NBT40-C1-70G	KM1 or CCK1	GH25	0.125-1.000"	1.000"	2.755"	2.165"
NBT40-C1-90G	KM1 or CCK1	GH25	0.125-1.000"	1.000"	3.543"	2.165"
NBT40-C1.1/4-85G	KM1.1/4 or CCK1.1/4	GH32	0.187-1.250"	1.250"	3.346"	2.716"
NBT40-C1.1/4-120G	KM1.1/4 or CCK1.1/4	GH32	0.187-1.250"	1.250"	4.724"	2.716"

Note: "N" denotes Taper Plus dual face contact.



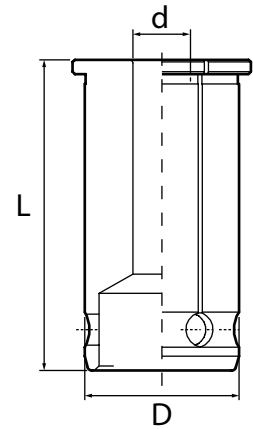


## KM Collets

Milling chuck collets are designed to ensure uniform fit around the cutting tool shank. This provides maximum gripping power as well as concentric positioning of the cutting tool.

Collet Series	L	D	d = Collet Range
KM3/4	2.087"	0.750"	1/8" - 5/8"
KM1	2.323"	1.000"	1/8" - 7/8"
KM1.1/4	2.539"	1.250"	3/16" - 1"
KM32mm	2.539"	1.259"	3/16" - 1"
KM2	3.268"	2.000"	1" - 1.1/2"

Note: KM Collets only collapse .001". For optimal performance, please use on-size cutting tools.



Collet Series	Inch		Metric	
	Size	Part Number	Size	Part Number
3/4"	1/8"	KM3/4-1/8	6mm	KM3/4-6
	3/16"	KM3/4-3/16	7mm	KM3/4-7
	1/4"	KM3/4-1/4	8mm	KM3/4-8
	5/16"	KM3/4-5/16	10mm	KM3/4-10
	3/8"	KM3/4-3/8	12mm	KM3/4-12
	7/16"	KM3/4-7/16	14mm	KM3/4-14
	1/2"	KM3/4-1/2	16mm	KM3/4-16
	9/16"	KM3/4-9/16	-	-
	5/8"	KM3/4-5/8	-	-
1"	1/8"	KM1-1/8	6mm	KM1-6
	3/16"	KM1-3/16	8mm	KM1-8
	1/4"	KM1-1/4	10mm	KM1-10
	5/16"	KM1-5/16	12mm	KM1-12
	3/8"	KM1-3/8	14mm	KM1-14
	7/16"	KM1-7/16	16mm	KM1-16
	1/2"	KM1-1/2	18mm	KM1-18
	5/8"	KM1-5/8	20mm	KM1-20
	3/4"	KM1-3/4	-	-
1.1/4"	3/16"	KM1.1/4-3/16	6mm	KM1.1/4-6
	1/4"	KM1.1/4-1/4	8mm	KM1.1/4-8
	5/16"	KM1.1/4-5/16	10mm	KM1.1/4-10
	3/8"	KM1.1/4-3/8	12mm	KM1.1/4-12
	7/16"	KM1.1/4-7/16	14mm	KM1.1/4-14
	1/2"	KM1.1/4-1/2	16mm	KM1.1/4-16
	9/16"	KM1.1/4-9/16	20mm	KM1.1/4-20
	5/8"	KM1.1/4-5/8	25mm	KM1.1/4-25
	3/4"	KM1.1/4-3/4	-	-
	7/8"	KM1.1/4-7/8	-	-
	1"	KM1.1/4-1	-	-

Collet Series	Inch		Metric	
	Size	Part Number	Size	Part Number
32mm	3/16"	KM32-3/16	6mm	KM32-6
	1/4"	KM32-1/4	8mm	KM32-8
	5/16"	KM32-5/16	10mm	KM32-10
	3/8"	KM32-3/8	12mm	KM32-12
	7/16"	KM32-7/16	14mm	KM32-14
	1/2"	KM32-1/2	16mm	KM32-16
	9/16"	KM32-9/16	20mm	KM32-20
	5/8"	KM32-5/8	25mm	KM32-25
	3/4"	KM32-3/4	26mm	KM32-26
	7/8"	KM32-7/8	-	-
	1"	KM32-1	-	-
2"	1"	KM2-1	-	-
	1-1/4"	KM2-1-1/4	-	-
	1-1/2"	KM2-1-1/2	-	-

### KM Collet Set

Part Number	Description
KM3/4-SET-09	9 piece set 1/8" - 5/8"
KM3/4-SET-07-MM	7 piece set 6mm - 16mm
KM1-SET-10	10 piece set 1/8" - 7/8"
KM1-SET-08-MM	8 piece set 6mm - 20mm
KM1.1/4-SET-11	11 piece set 3/16" - 1"
KM1.1/4-SET-08-MM	8 piece set 6mm - 25mm
KM32-SET-11	11 piece set 3/16" - 1"
KM32-SET-09-MM	9 piece set 6mm - 26mm



KM & NK Collets  
Pages 113-114



Spanner Wrench  
Page 117



Back-Up Screw  
Page 117

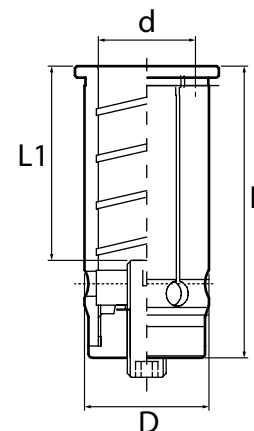


Coolant-Thru & Slotted Nuts  
Page 115-116

**NK Collets - Depth Adjustable**

Collet Series	D	L	L1	d = Collet Range
NK3/4	0.984"	2.480"	1.968" max. depth	1/8" - 5/8"
NK1	1.142"	2.677"	2.165" max. depth	1/8" - 7/8"
NK1.1/4	1.457"	2.964"	2.401" max. depth	3/16" - 1"
NK32mm	1.457"	2.964"	2.401" max. depth	3/16" - 1"
NK2	2.283"	3.673"	3.110" max. depth	1" - 1.1/2"

Note: Cutter length adjustment on the collet is possible from front and back.



Collet Series	Inch		Metric	
	Size	Part Number	Size	Part Number
3/4"	1/8"	NK3/4-1/8	6mm	NK3/4-6
	3/16"	NK3/4-3/16	7mm	NK3/4-7
	1/4"	NK3/4-1/4	8mm	NK3/4-8
	5/16"	NK3/4-5/16	10mm	NK3/4-10
	3/8"	NK3/4-3/8	12mm	NK3/4-12
	7/16"	NK3/4-7/16	14mm	NK3/4-14
	1/2"	NK3/4-1/2	16mm	NK3/4-16
	9/16"	NK3/4-9/16	-	-
1"	5/8"	NK3/4-5/8	-	-
	1/8"	NK1-1/8	6mm	NK1-6
	3/16"	NK1-3/16	8mm	NK1-8
	1/4"	NK1-1/4	10mm	NK1-10
	5/16"	NK1-5/16	12mm	NK1-12
	3/8"	NK1-3/8	14mm	NK1-14
	7/16"	NK1-7/16	16mm	NK1-16
	1/2"	NK1-1/2	18mm	NK1-18
	5/8"	NK1-5/8	20mm	NK1-20
	3/4"	NK1-3/4	-	-
1.1/4"	7/8"	NK1-7/8	-	-
	3/16"	NK1.1/4-3/16	6mm	NK1.1/4-6
	1/4"	NK1.1/4-1/4	8mm	NK1.1/4-8
	5/16"	NK1.1/4-5/16	10mm	NK1.1/4-10
	3/8"	NK1.1/4-3/8	12mm	NK1.1/4-12
	7/16"	NK1.1/4-7/16	14mm	NK1.1/4-14
	1/2"	NK1.1/4-1/2	16mm	NK1.1/4-16
	9/16"	NK1.1/4-9/16	20mm	NK1.1/4-20
	5/8"	NK1.1/4-5/8	25mm	NK1.1/4-25
	3/4"	NK1.1/4-3/4	-	-
	7/8"	NK1.1/4-7/8	-	-
1"	NK1.1/4-1	-	-	

Collet Series	Inch		Metric		
	Size	Part Number	Size	Part Number	
32mm	3/16"	NK32-3/16	6mm	NK32-6	
	1/4"	NK32-1/4	8mm	NK32-8	
	5/16"	NK32-5/16	10mm	NK32-10	
	3/8"	NK32-3/8	12mm	NK32-12	
	7/16"	NK32-7/16	14mm	NK32-14	
	1/2"	NK32-1/2	16mm	NK32-16	
	9/16"	NK32-9/16	20mm	NK32-20	
	5/8"	NK32-5/8	25mm	NK32-25	
	3/4"	NK32-3/4	26mm	NK32-26	
	7/8"	NK32-7/8	-	-	
	1"	NK32-1	-	-	
	2"	1"	NK2-1	-	-
		1-1/4"	NK2-1-1/4	-	-
	1-1/2"	NK2-1-1/2	-	-	

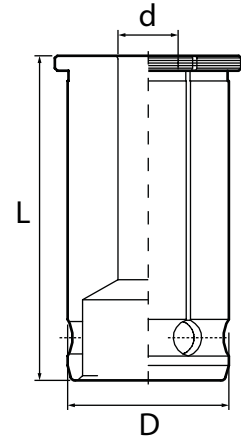


## CCK Coolant Collet System



Collet Series	L	D	d = Collet Range
3/4"	2.086"	0.984"	1/8" - 5/8"
1"	2.320"	1.142"	1/8" - 7/8"
1.1/4"	2.539"	1.457"	3/16" - 1"
32mm	2.539"	1.457"	3/16" - 1"
2"	3.268"	2.283"	1" - 1.1/2"

Note: CCK Collets do not collapse.



Collet Series	Size	Coolant Collet	Coolant-Thru Nut	Slotted Nut	Disc Wrench
3/4"	1/8"	CCK3/4-1/8	CKFN20(3/4)-1/8C	CKFN20(3/4)-1/8	CCKL20
	3/16"	CCK3/4-3/16	CKFN20(3/4)-3/16C	CKFN20(3/4)-3/16	
	1/4"	CCK3/4-1/4	CKFN20(3/4)-1/4C	CKFN20(3/4)-1/4	
	5/16"	CCK3/4-5/16	CKFN20(3/4)-5/16C	CKFN20(3/4)-5/16	
	3/8"	CCK3/4-3/8	CKFN20(3/4)-3/8C	CKFN20(3/4)-3/8	
	7/16"	CCK3/4-7/16	CKFN20(3/4)-7/16C	CKFN20(3/4)-7/16	
	1/2"	CCK3/4-1/2	CKFN20(3/4)-1/2C	CKFN20(3/4)-1/2	
	9/16"	CCK3/4-9/16	CKFN20(3/4)-9/16C	CKFN20(3/4)-9/16	
	5/8"	CCK3/4-5/8	CKFN20(3/4)-5/8C	CKFN20(3/4)-5/8	
	6mm	CCK3/4-6	CKFN20(3/4)-6C	CKFN20(3/4)-6	
	7mm	CCK3/4-7	CKFN20(3/4)-7C	CKFN20(3/4)-7	
	8mm	CCK3/4-8	CKFN20(3/4)-8C	CKFN20(3/4)-8	
	10mm	CCK3/4-10	CKFN20(3/4)-10C	CKFN20(3/4)-10	
	12mm	CCK3/4-12	CKFN20(3/4)-12C	CKFN20(3/4)-12	
	14mm	CCK3/4-14	CKFN20(3/4)-14C	CKFN20(3/4)-14	
	16mm	CCK3/4-16	CKFN20(3/4)-16C	CKFN20(3/4)-16	
1"	1/8"	CCK1-1/8	CKFN25(1)-1/8C	CKFN25(1)-1/8	CCKL25
	3/16"	CCK1-3/16	CKFN25(1)-3/16C	CKFN25(1)-3/16	
	1/4"	CCK1-1/4	CKFN25(1)-1/4C	CKFN25(1)-1/4	
	5/16"	CCK1-5/16	CKFN25(1)-5/16C	CKFN25(1)-5/16	
	3/8"	CCK1-3/8	CKFN25(1)-3/8C	CKFN25(1)-3/8	
	7/16"	CCK1-7/16	CKFN25(1)-7/16C	CKFN25(1)-7/16	
	1/2"	CCK1-1/2	CKFN25(1)-1/2C	CKFN25(1)-1/2	
	5/8"	CCK1-5/8	CKFN25(1)-5/8C	CKFN25(1)-5/8	
	3/4"	CCK1-3/4	CKFN25(1)-3/4C	CKFN25(1)-3/4	
	7/8"	CCK1-7/8	CKFN25(1)-7/8C	CKFN25(1)-7/8	
	6mm	CCK1-6	CKFN25(1)-6C	CKFN25(1)-6	
	8mm	CCK1-8	CKFN25(1)-8C	CKFN25(1)-8	
	10mm	CCK1-10	CKFN25(1)-10C	CKFN25(1)-10	
	12mm	CCK1-12	CKFN25(1)-12C	CKFN25(1)-12	
	14mm	CCK1-14	CKFN25(1)-14C	CKFN25(1)-14	
	16mm	CCK1-16	CKFN25(1)-16C	CKFN25(1)-16	
18mm	CCK1-18	CKFN25(1)-18C	CKFN25(1)-18		
20mm	CCK1-20	CKFN25(1)-20C	CKFN25(1)-20		

**CCK Coolant Collet System (cont.)**



Collet Series	Size	Coolant Collet	Coolant-Thru Nut	Slotted Nut	Disc Wrench
1.1/4"	3/16"	CCK1.1/4-3/16	CKFN32(1.1/4)-3/16C	CKFN32(1.1/4)-3/16	CCKL32
	1/4"	CCK1.1/4-1/4	CKFN32(1.1/4)-1/4C	CKFN32(1.1/4)-1/4	
	5/16"	CCK1.1/4-5/16	CKFN32(1.1/4)-5/16C	CKFN32(1.1/4)-5/16	
	3/8"	CCK1.1/4-3/8	CKFN32(1.1/4)-3/8C	CKFN32(1.1/4)-3/8	
	7/16"	CCK1.1/4-7/16	CKFN32(1.1/4)-7/16C	CKFN32(1.1/4)-7/16	
	1/2"	CCK1.1/4-1/2	CKFN32(1.1/4)-1/2C	CKFN32(1.1/4)-1/2	
	9/16"	CCK1.1/4-9/16	CKFN32(1.1/4)-9/16C	CKFN32(1.1/4)-9/16	
	5/8"	CCK1.1/4-5/8	CKFN32(1.1/4)-5/8C	CKFN32(1.1/4)-5/8	
	3/4"	CCK1.1/4-3/4	CKFN32(1.1/4)-3/4C	CKFN32(1.1/4)-3/4	
	7/8"	CCK1.1/4-7/8	CKFN32(1.1/4)-7/8C	CKFN32(1.1/4)-7/8	
	1"	CCK1.1/4-1	CKFN32(1.1/4)-1C	CKFN32(1.1/4)-1	
	6mm	CCK1.1/4-6	CKFN32(1.1/4)-6C	CKFN32(1.1/4)-6	
	8mm	CCK1.1/4-8	CKFN32(1.1/4)-8C	CKFN32(1.1/4)-8	
	10mm	CCK1.1/4-10	CKFN32(1.1/4)-10C	CKFN32(1.1/4)-10	
	12mm	CCK1.1/4-12	CKFN32(1.1/4)-12C	CKFN32(1.1/4)-12	
	14mm	CCK1.1/4-14	CKFN32(1.1/4)-14C	CKFN32(1.1/4)-14	
	16mm	CCK1.1/4-16	CKFN32(1.1/4)-16C	CKFN32(1.1/4)-16	
20mm	CCK1.1/4-20	CKFN32(1.1/4)-20C	CKFN32(1.1/4)-20		
25mm	CCK1.1/4-25	CKFN32(1.1/4)-25C	CKFN32(1.1/4)-25		
2"	1"	CCK2-1	CKFN50(2)-1C	CKFN50(2)-1	CCKL50
	1-1/4"	CCK2-1.1/4	CKFN50(2)-1.1/4C	CKFN50(2)-1.1/4	
	1-1/2"	CCK2-1.1/2	CKFN50(2)-1.1/2C	CKFN50(2)-1.1/2	
32mm	3/16"	CCK32-3/16	CKFN32(1.1/4)-3/16C	CKFN32(1.1/4)-3/16	CCKL32
	1/4"	CCK32-1/4	CKFN32(1.1/4)-1/4C	CKFN32(1.1/4)-1/4	
	5/16"	CCK32-5/16	CKFN32(1.1/4)-5/16C	CKFN32(1.1/4)-5/16	
	3/8"	CCK32-3/8	CKFN32(1.1/4)-3/8C	CKFN32(1.1/4)-3/8	
	7/16"	CCK32-7/16	CKFN32(1.1/4)-7/16C	CKFN32(1.1/4)-7/16	
	1/2"	CCK32-1/2	CKFN32(1.1/4)-1/2C	CKFN32(1.1/4)-1/2	
	9/16"	CCK32-9/16	CKFN32(1.1/4)-9/16C	CKFN32(1.1/4)-9/16	
	5/8"	CCK32-5/8	CKFN32(1.1/4)-5/8C	CKFN32(1.1/4)-5/8	
	3/4"	CCK32-3/4	CKFN32(1.1/4)-3/4C	CKFN32(1.1/4)-3/4	
	7/8"	CCK32-7/8	CKFN32(1.1/4)-7/8C	CKFN32(1.1/4)-7/8	
	1"	CCK32-1	CKFN32(1.1/4)-1C	CKFN32(1.1/4)-1	
	6mm	CCK32-6	CKFN32(1.1/4)-6C	CKFN32(1.1/4)-6	
	8mm	CCK32-8	CKFN32(1.1/4)-8C	CKFN32(1.1/4)-8	
	10mm	CCK32-10	CKFN32(1.1/4)-10C	CKFN32(1.1/4)-10	
	12mm	CCK32-12	CKFN32(1.1/4)-12C	CKFN32(1.1/4)-12	
	14mm	CCK32-14	CKFN32(1.1/4)-14C	CKFN32(1.1/4)-14	
	16mm	CCK32-16	CKFN32(1.1/4)-16C	CKFN32(1.1/4)-16	
20mm	CCK32-20	CKFN32(1.1/4)-20C	CKFN32(1.1/4)-20		
25mm	CCK32-25	CKFN32(1.1/4)-25C	CKFN32(1.1/4)-25		

## Milling Chuck Accessories



### Wrench

Standard Style Part Number	High Speed Style Part Number	Use With
9HC22	GH20	3/4" Milling Chuck
9HC25	GH25	1" Milling Chuck
9HC32	GH32 GH32S	1.1/4" and 32mm Milling Chuck - OD = 68mm 1.1/4" and 32mm Milling Chuck - OD = 62-64mm
9HC50	-	2" Milling Chuck



Standard Wrench



High-Speed Wrench

### Back-Up Screw

Standard Style Part Number	Coolant-Thru Style Part Number	Use With
750TL-3	750TL-3(C)	3/4" Milling Chuck
1000TL-3	1000TL-3(C)	1" Milling Chuck
1250TL-2	1250TL-2(C)	1.1/4" Milling Chuck with ID depth of 77mm or less
1250TL-3	1250TL-3(C)	1.1/4" Milling Chuck with ID depth of 105mm or more

Note: All back-up screws are 1000 PSI capable.



### Coolant Tube for HSK Holders

Part Number	Description
HSK63-TUBE	Coolant Tube for HSK63 Holders
HSK100-TUBE	Coolant Tube for HSK100 Holders



### Coolant Tube Wrench for HSK Holders

Coolant tube wrenches are needed to remove or install coolant tubes in HSK toolholders.

Part Number	Description
HSK63-WRENCH	Wrench for HSK63 Coolant Tube
HSK100-WRENCH	Wrench for HSK100 Coolant Tube



# NIKKEN

## X-TREME MILLING CHUCK

***Excellent Runout  
& Powerful Gripping***

Exclusively developed for demanding applications and materials associated with the Aerospace and Energy industries.



Material: Ti6Al4V Titanium  
0.98", 6 teeth Carbide Roughing End Mill  
0.98" x 1.97" 1-Path Milling  
No Pull-Out



Phone: (847) 367-4800



Email: [sales@lyndexnikken.com](mailto:sales@lyndexnikken.com)



[www.lyndexnikken.com](http://www.lyndexnikken.com)

Connect with us on our social media channels!







## End Mill Holder Features

### Extreme Rigidity

Featuring the highest taper contact and high quality steel, our End Mill Holders provide extreme rigidity for even the heaviest machining applications.

Shank style available from stock: CAT, BT, HSK, NMTB, and Straight, with inch or metric bores. High rigidity, stubby style, extended lengths and Aerospace whistle notch End Mill Holders also available.



### Aerospace End Mill Holder

#### Aerospace End Mill Holders

Lyndex-Nikken Aerospace End Mill Holders are field tested and proven to prevent the end mill from pullout, unlike other's holders.

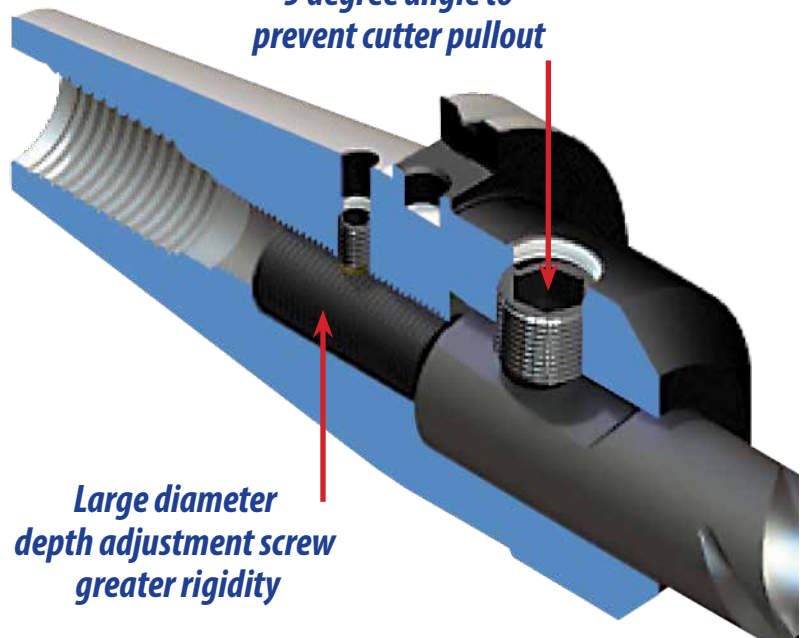
#### Unique Design and Built-in Features

- End Mill Holder bore does not exceed 0.0002" beyond nominal dimension
- Dual support screws to secure depth adjustment screw and side lock screw
- Tapped fine 2B internal threads for precision adjustment
- AT3 taper grind to match the grind tolerance of your machine spindle
- Balanced for high-speed machining up to 20,000 RPM (rated at G6.3)
- Made from high quality 4340 Nickel Chrome
- End Mill Holder must be used with 5 degree whistle notch cutter (NAS 987)

**Our Aerospace End Mill Holders will help you produce aerospace parts with greater accuracy and efficiency.**



*5 degree angle to prevent cutter pullout*



*Large diameter depth adjustment screw greater rigidity*

## CAT End Mill Holders



**T.I.R.:** < 0.0002" run out in ID bore



Milling



**Speed:** up to 20,000 RPM (rated at G6.3)



Drilling



**Set-up:** quick and easy



Tapping



**Coolant-Thru:** jet slots (optional)



Reaming

- End mill inner bore T.I.R. < 0.0002"
- Through-spindle coolant capability
- AT3 or better taper
- Available in high-speed balanceable versions

Please note that the maximum RPM listed in our catalog may vary depending on the toolholder shank, weight, balanceability and the G rating.

### CAT40 - Inch

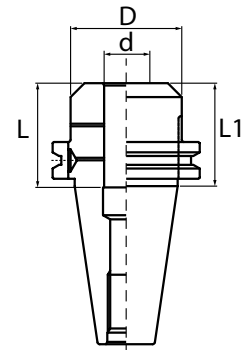
Part Number	Style	d	L	L1	L2	D	D1	Set Screw Part Number
C40S6-0125-1.38	Stubby	1/8"	1.38"	0.74"	-	0.75"	-	S6-32X1/4
C4006-0125-2.36	Standard	1/8"	2.36"	0.63"	-	0.75"	-	S6-32X1/4
C4016-0125-4.00	Standard	1/8"	4.00"	0.63"	-	0.75"	-	S6-32X1/4
C40S6-0187-1.38	Stubby	3/16"	1.38"	0.94"	-	0.75"	-	S8-32X1/4
C4006-0187-2.50	Standard	3/16"	2.50"	0.86"	-	0.75"	-	S8-32X1/4
C4016-0187-4.00	Standard	3/16"	4.00"	0.86"	-	0.75"	-	S8-32X1/4
C40S6-0250-1.38	Stubby	1/4"	1.38"	1.18"	-	0.79"	-	S1/4-28X1/4
C4006-0250-2.50	Standard	1/4"	2.50"	1.10"	-	0.79"	-	S1/4-28X1/4
C4016-0250-4.00	Standard	1/4"	4.00"	1.10"	-	0.79"	-	S1/4-28X1/4
C4046-0250-9.00	Ext. Length	1/4"	9.00"	1.50"	6.12"	0.79"	1.75"	S1/4-28X1/4
C4006-0312-2.50	Standard	5/16"	2.50"	1.26"	-	0.87"	-	S5/16-24X1/4
C4016-0312-4.00	Standard	5/16"	4.00"	1.26"	-	0.87"	-	S5/16-24X1/4
C40S6-0375-1.38	Stubby	3/8"	1.38"	1.34"	-	1.00"	-	S3/8-24X5/16
C4006-0375-2.50	Standard	3/8"	2.50"	1.26"	-	1.00"	-	S3/8-24X5/16
C4016-0375-4.00	Standard	3/8"	4.00"	1.26"	-	1.00"	-	S3/8-24X5/16
C4026-0375-5.00	Standard	3/8"	5.00"	1.26"	-	1.00"	-	S3/8-24X5/16
C4046-0375-9.00	Ext. Length	3/8"	9.00"	1.50"	6.12"	1.00"	1.75"	S3/8-24X5/16
C4006-0437-2.50	Standard	7/16"	2.50"	1.50"	-	1.38"	-	S7/16-20X3/8
C4016-0437-4.00	Standard	7/16"	4.00"	1.50"	-	1.38"	-	S7/16-20X3/8
C40S6-0500-1.75	Stubby	1/2"	1.75"	1.50"	-	1.38"	-	S7/16-20X3/8
C4006-0500-2.50	Standard	1/2"	2.50"	1.50"	-	1.38"	-	S7/16-20X3/8
C4016-0500-4.00	Standard	1/2"	4.00"	1.50"	-	1.38"	-	S7/16-20X3/8
C4026-0500-5.00	Standard	1/2"	5.00"	1.50"	-	1.38"	-	S7/16-20X3/8
C4046-0500-9.00	Ext. Length	1/2"	9.00"	1.50"	6.12"	1.38"	1.75"	S7/16-20X3/8
C40S6-0625-1.75	Stubby	5/8"	1.75"	1.61"	-	1.65"	-	S9/16-18X1/2
C4006-0625-3.00	Standard	5/8"	3.00"	1.61"	-	1.65"	-	S9/16-18X1/2
C4016-0625-4.00	Standard	5/8"	4.00"	1.61"	-	1.65"	-	S9/16-18X1/2
C4026-0625-5.50	Standard	5/8"	5.50"	1.61"	-	1.65"	-	S9/16-18X1/2
C4046-0625-9.00	Ext. Length	5/8"	9.00"	1.50"	6.12"	1.65"	1.75"	S9/16-18X1/2
C40S6-0750-1.75	Stubby	3/4"	1.75"	1.77"	-	1.89"	-	S5/8-18X1/2
C4006-0750-3.00	Standard	3/4"	3.00"	1.77"	-	1.75"	-	S5/8-18X1/2
C4016-0750-4.00	Standard	3/4"	4.00"	1.77"	-	1.75"	-	S5/8-18X1/2
C4026-0750-5.50	Standard	3/4"	5.50"	1.77"	-	1.75"	-	S5/8-18X1/2
C4046-0750-9.00	Ext. Length	3/4"	9.00"	-	-	1.75"	-	S5/8-18X1/2

Note:

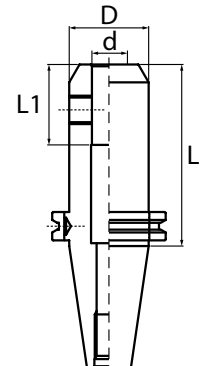
- Set Screws are included.
- Extended Length End Mill Holders can be modified with DIN flange coolant ports.



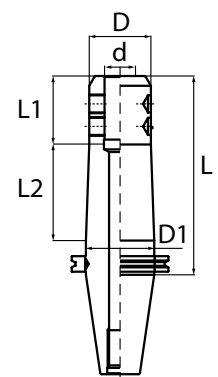
Available in **TAPER PLUS** Dual-taper and flange contact



**Stubby**



**Standard**



**Extended Length**



Set Screws  
Page 135



Tool Jaw  
Page 234



Retention Knobs  
Page 229

**CAT End Mill Holders**

**CAT40 - Inch (cont.)**

Part Number	Style	d	L	L1	L2	D	D1	Set Screw Part Number
C40S6-0875-1.75	Stubby	7/8"	1.75"	2.08"	-	1.94"	-	S5/8-18X1/2
C4006-0875-3.50	Standard	7/8"	3.50"	2.08"	-	2.00"	-	S5/8-18X1/2 (2)
C40S6-1000-2.00	Stubby	1"	2.00"	2.36"	-	2.25"	-	S3/4-16X11/16
C4006-1000-4.00	Standard	1"	4.00"	2.36"	-	2.36"	-	S3/4-16X11/16 (2)
C4016-1000-6.00	Standard	1"	6.00"	2.36"	-	2.36"	-	S3/4-16X11/16 (2)
C40S6-1250-2.00	Stubby	1-1/4"	2.00"	2.28"	-	2.25"	-	S3/4-16X7/16
C4006-1250-4.00	Standard	1-1/4"	4.00"	2.55"	-	2.48"	-	S3/4-16X11/16 (2)
C4006-1500-4.50	Standard	1-1/2"	4.50"	2.55"	-	2.99"	-	S3/4-16X11/16 (2)

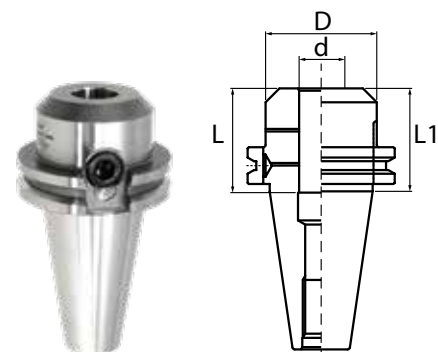
Note:

- Set Screws are included.
- Extended Length End Mill Holders can be modified with DIN flange coolant ports.

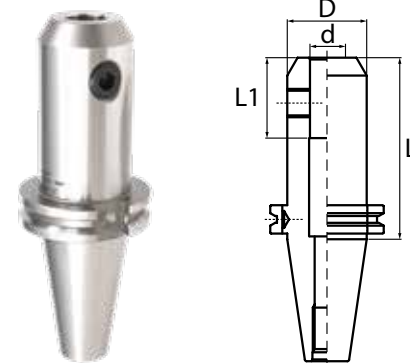
**CAT40 - Metric**

Part Number	Style	d	L	L1	D	Set Screw Part Number
C4006-6-2.50	Standard	6mm	2.50"	1.10"	0.78"	S1/4-28X1/4
C4006-8-2.50	Standard	8mm	2.50"	1.25"	0.87"	S5/16-24X1/4
C4006-10-2.50	Standard	10mm	2.50"	1.25"	1.00"	S3/8-24X5/16
C4006-12-2.50	Standard	12mm	2.50"	1.50"	1.38"	S7/16-20X3/8
C4006-14-3.00	Standard	14mm	3.00"	1.61"	1.65"	S9/16-18X1/2
C4006-16-3.00	Standard	16mm	3.00"	1.61"	1.65"	S9/16-18X1/2
C4006-20-3.00	Standard	20mm	3.00"	1.77"	1.75"	S5/8-18x1/2
C4006-25-4.00	Standard	25mm	4.00"	2.36"	2.36"	S3/4-16X11/16 (2)
C4006-32-4.00	Standard	32mm	4.00"	2.36"	2.48"	S3/4-16X11/16 (2)

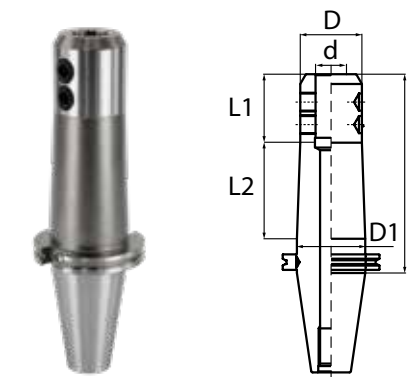
Note: Set Screws are included.



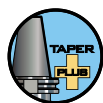
**Stubby**



**Standard**



**Extended Length**



Available in  
**TAPER PLUS**

Dual-taper and flange contact available.

See page 134



**TAPER PLUS  
COMBINING TAPER ACCURACY  
WITH FLANGE RIGIDITY!**

- Outstanding Runout Accuracy for longer tool life
- Vibration Dampening for increased productivity
- High Rigidity for smooth and stable cutting

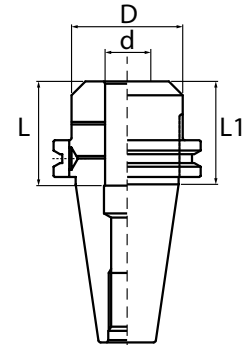


## CAT End Mill Holders

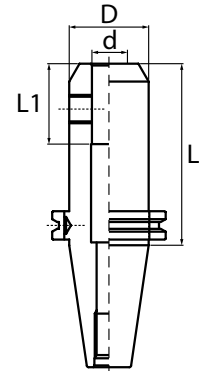


### CAT50 - Inch

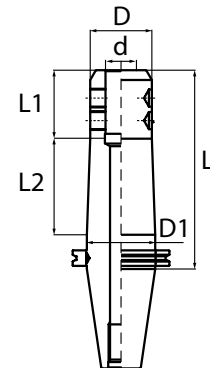
Part Number	Style	d	L	L1	L2	D	D1	Set Screw Part Number
C5006-0250-2.50	Standard	1/4"	2.50"	1.10"	-	0.79"	-	S1/4-28X1/4
C5016-0250-4.00	Standard	1/4"	4.00"	1.10"	-	0.79"	-	S1/4-28X1/4
C5026-0250-6.00	Standard	1/4"	6.00"	1.10"	-	0.79"	-	S1/4-28X1/4
C5036-0250-8.00	Ext. Length	1/4"	8.00"	1.50"	4.76"	0.79"	1.62"	S1/4-28X1/4
C5006-0312-2.50	Standard	5/16"	2.50"	1.26"	-	0.87"	-	S5/16-24X1/4
C5016-0312-4.00	Standard	5/16"	4.00"	1.26"	-	0.87"	-	S5/16-24X1/4
C5026-0312-6.00	Standard	5/16"	6.00"	1.26"	-	0.87"	-	S5/16-24X1/4
C5006-0375-2.50	Standard	3/8"	2.50"	1.26"	-	1.00"	-	S3/8-24X5/16
C5016-0375-4.00	Standard	3/8"	4.00"	1.26"	-	1.00"	-	S3/8-24X5/16
C5026-0375-6.00	Standard	3/8"	6.00"	1.26"	-	1.00"	-	S3/8-24X5/16
C5036-0375-8.00	Ext. Length	3/8"	8.00"	1.50"	5.12"	1.00"	2.75"	S3/8-24X5/16
C5006-0437-2.50	Standard	7/16"	2.50"	1.50"	-	1.38"	-	S7/16-20X3/8
C5016-0437-4.00	Standard	7/16"	4.00"	1.50"	-	1.38"	-	S7/16-20X3/8
C5006-0500-2.63	Standard	1/2"	2.63"	1.50"	-	1.38"	-	S7/16-20X3/8
C5016-0500-4.00	Standard	1/2"	4.00"	1.50"	-	1.38"	-	S7/16-20X3/8
C5026-0500-6.00	Standard	1/2"	6.00"	1.50"	-	1.38"	-	S7/16-20X3/8
C5036-0500-8.00	Ext. Length	1/2"	8.00"	1.50"	5.12"	1.38"	2.75"	S7/16-20X3/8
C5066-0500-15.00	Ext. Length	1/2"	15.00"	1.50"	12.12"	1.38"	2.75"	S7/16-20X3/8
C5006-0625-3.00	Standard	5/8"	3.00"	1.61"	-	1.65"	-	S9/16-18X1/2
C5016-0625-4.00	Standard	5/8"	4.00"	1.61"	-	1.65"	-	S9/16-18X1/2
C5026-0625-6.00	Standard	5/8"	6.00"	1.61"	-	1.65"	-	S9/16-18X1/2
C5036-0625-8.00	Ext. Length	5/8"	8.00"	1.50"	5.12"	1.65"	2.75"	S9/16-18X1/2
C50S6-0750-1.75	Stubby	3/4"	1.75"	1.77"	-	1.89"	-	S5/8-18X1/2
C5006-0750-3.00	Standard	3/4"	3.00"	1.77"	-	1.89"	-	S5/8-18X1/2
C5016-0750-4.00	Standard	3/4"	4.00"	1.77"	-	1.89"	-	S5/8-18X1/2
C5026-0750-6.00	Standard	3/4"	6.00"	1.77"	-	1.89"	-	S5/8-18X1/2
C5036-0750-8.00	Ext. Length	3/4"	8.00"	1.50"	5.12"	1.89"	2.75"	S5/8-18X1/2
C5066-0750-15.00	Ext. Length	3/4"	15.00"	1.76"	11.86"	1.89"	2.75"	S5/8-18X1/2
C50S6-1000-2.00	Stubby	1"	2.00"	2.36"	-	2.36"	-	S3/4-16X11/16
C5006-1000-4.00	Standard	1"	4.00"	2.36"	-	2.36"	-	S3/4-16X11/16 (2)
C5016-1000-6.00	Standard	1"	6.00"	2.36"	-	2.36"	-	S3/4-16X11/16 (2)
C5026-1000-8.00	Ext. Length	1"	8.00"	2.76"	3.87"	2.36"	2.75"	S3/4-16X11/16 (2)
C5066-1000-15.00	Ext. Length	1"	15.00"	2.76"	10.87"	2.36"	2.75"	S3/4-16X11/16 (2)



**Stubby**



**Standard**



**Extended Length**

Note:

- Set Screws are included.
- Extended Length End Mill Holders can be modified with DIN flange coolant ports.



Available in **TAPER PLUS** Dual-taper and flange contact



Set Screws  
Page 135



Tool Jaw  
Page 234



Retention Knobs  
Page 229

## CAT End Mill Holders

### CAT50 - Inch (cont.)

Part Number	Style	d	L	L1	L2	D	D1	Set Screw Part Number
C50S6-1250-2.00	Stubby	1-1/4"	2.00"	2.55"	-	2.75"	-	S3/4-16X11/16
C5006-1250-4.00	Standard	1-1/4"	4.00"	2.55"	-	2.48"	-	S3/4-16X11/16 (2)
C5016-1250-6.00	Standard	1-1/4"	6.00"	2.55"	-	2.48"	-	S3/4-16X11/16 (2)
C5026-1250-8.00	Ext. Length	1-1/4"	8.00"	2.76"	3.87"	2.48"	2.75"	S3/4-16X11/16 (2)
C5066-1250-15.00	Ext. Length	1-1/4"	15.00"	2.76"	10.87"	2.48"	2.75"	S3/4-16X11/16 (2)
C50S6-1500-2.25	Stubby	1-1/2"	2.25"	2.83"	-	2.75"	-	S3/4-16X11/16
C5006-1500-4.50	Standard	1-1/2"	4.50"	2.83"	-	2.99"	-	S3/4-16X11/16 (2)
C5016-1500-7.00	Standard	1-1/2"	7.00"	2.83"	-	2.99"	-	S3/4-16X11/16 (2)
C50S6-2000-3.63	Stubby	2"	3.63"	3.34"	-	3.74"	-	S1"-14X7/8 (1) S1"-14X7/16 (1)
C5026-2000-10.00	Standard	2"	10.00"	3.34"	-	3.74"	-	S1"-14X7/8 (2)
C5006-2000-5.37	Standard	2"	5.37"	3.34"	-	3.74"	-	S1"-14X7/8 (2)
C5016-2000-8.00	Standard	2"	8.00"	3.34"	-	3.74"	-	S1"-14X7/8 (2)
C5006-2500-6.00	Standard	2-1/2"	6.00"	3.66"	-	4.25"	-	S1"-14X7/8 (2)

Note:

- Set Screws are included.
- Extended Length End Mill Holders can be modified with DIN flange coolant ports.

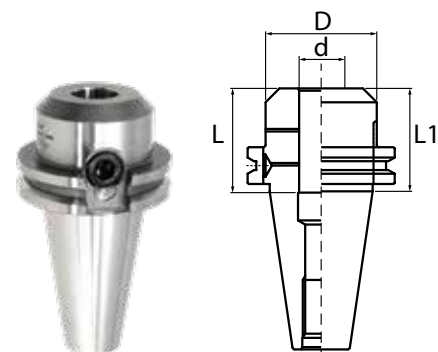
 Available in **TAPER PLUS**  Dual-taper and flange contact

### CAT50 - Metric

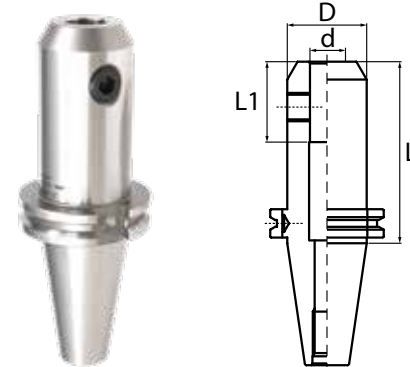
Part Number	Style	d	L	L1	D	Set Screw Part Number
C5006-6-2.50	Standard	6mm	2.50"	1.10"	0.79"	S1/4-28X1/4
C5006-8-2.50	Standard	8mm	2.50"	1.10"	0.87"	S5/16-24X1/4
C5006-10-2.50	Standard	10mm	2.50"	1.26"	1.00"	S3/8-24X5/16
C5006-12-2.63	Standard	12mm	2.63"	1.50"	1.38"	S7/16-20X3/8
C5006-14-3.00	Standard	14mm	3.00"	1.61"	1.65"	S9/16-18X1/2
C5006-16-3.00	Standard	16mm	3.00"	1.61"	1.65"	S9/16-18X1/2
C5006-18-3.00	Standard	18mm	3.00"	1.77"	1.89"	S5/8-18X1/2
C5006-20-3.00	Standard	20mm	3.00"	1.77"	1.89"	S5/8-18X1/2
C5006-25-4.00	Standard	25mm	4.00"	2.36"	2.36"	S3/4-16X11/16 (2)
C5006-32-4.00	Standard	32mm	4.00"	2.55"	2.48"	S3/4-16X11/16 (2)
C5006-40-4.50	Standard	40mm	4.50"	2.95"	3.07"	S3/4-16X11/16 (2)
C5006-42-4.50	Standard	42mm	4.50"	2.83"	3.07"	S3/4-16X11/16 (2)
C5006-50-5.37	Standard	50mm	5.37"	3.35"	3.74"	S1"-14X7/8 (2)

Note: Set Screws are included.

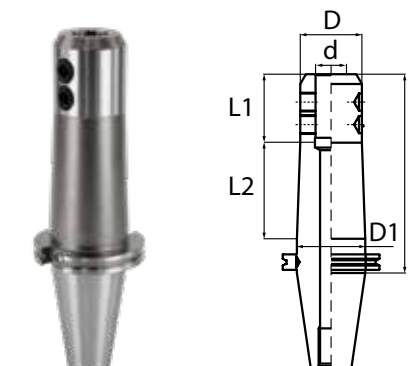
 Available in **TAPER PLUS**  Dual-taper and flange contact



Stubby



Standard



Extended Length

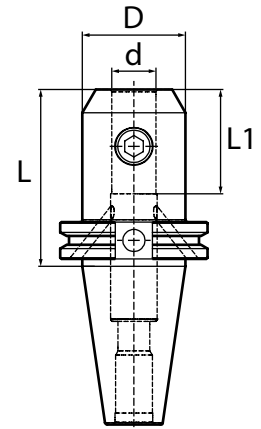


## CAT End Mill Holders - DIN



### CAT40 - DIN - Metric

Part Number	Style	d	L	L1	D	Set Screw Part Number
C4006-6-2.50DIN	Standard	6mm	2.50"	1.10"	0.78"	S1/4-28X1/4
C4006-8-2.50DIN	Standard	8mm	2.50"	1.25"	0.87"	S5/16-24X1/4
C4006-10-2.50DIN	Standard	10mm	2.50"	1.25"	1.00"	S3/8-24X5/16
C4006-12-2.50DIN	Standard	12mm	2.50"	1.50"	1.38"	S7/16-20X3/8
C4006-14-3.00DIN	Standard	14mm	3.00"	1.61"	1.65"	S9/16-18X1/2
C4006-16-3.00DIN	Standard	16mm	3.00"	1.61"	1.65"	S9/16-18X1/2
C4006-18-3.00DIN	Standard	18mm	3.00"	1.77"	1.75"	S5/8-18x1/2
C4006-20-3.00DIN	Standard	20mm	3.00"	1.77"	1.75"	S5/8-18x1/2
C4006-25-4.00DIN	Standard	25mm	4.00"	2.36"	2.36"	S3/4-16X11/16 (2)
C4006-32-4.00DIN	Standard	32mm	4.00"	2.36"	2.48"	S3/4-16X11/16 (2)



Note:

- Set Screws are included.
- "DIN" designates suitability for coolant through the flange per DIN 69871 Form B specs.



Set Screws  
Page 135



Tool Jaw  
Page 234

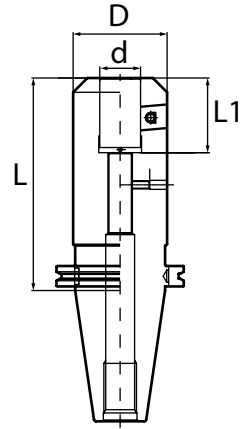


Retention Knobs  
Page 229

**CAT End Mill Holders - Aerospace**

**CAT50 - Aerospace**

Part Number	Style	d	L	L1	D	Set Screw Part Number
C5026-0375A-6.69	Standard	3/8"	6.69"	1.52"	1.37"	S3/8-24UNF
C5016-0500A-4.60	Standard	1/2"	4.60"	1.68"	1.63"	S3/8-24UNF
C5026-0750A-6.50	Standard	3/4"	6.50"	2.01"	2.00"	S1/2-20UNF
C5006-1000A-3.00	Standard	1"	3.00"	2.27"	2.63"	S3/4-16x7/16
C5016-1000A-4.50	Standard	1"	4.50"	2.27"	2.63"	S3/4-16x7/16
C5006-1250A-3.00	Standard	1-1/4"	3.00"	2.27"	2.87"	S3/4-16x7/16
C5016-1250A-4.50	Standard	1-1/4"	4.50"	2.27"	2.87"	S3/4-16x7/16
C5016-2000A-7.35	Standard	2"	7.35"	3.38"	4.00"	S3/4-16x7/16 (2)
C5016-2500A-7.35	Standard	2-1/2"	7.35"	3.38"	5.00"	S3/4-16x7/16 (2)



Note: Set Screws are included. Back-up screws are included for Aerospace End Mill Holders.





## BT End Mill Holders



**T.I.R.:** < 0.0002" run out in ID bore



Milling



**Speed:** up to 20,000 RPM



Drilling



**Set-up:** quick and easy



Tapping



**Coolant-Thru:** jet slots (optional)



Reaming

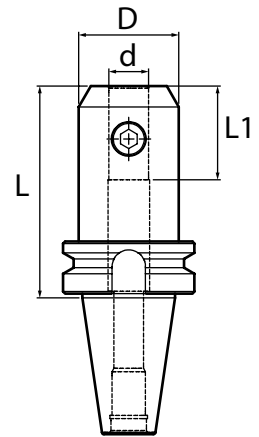
- End mill inner bore T.I.R. ≤ 0.0002"
- Through-spindle coolant capability
- AT3 or better taper
- Available in high-speed balanceable versions

Please note that the maximum RPM listed in our catalog may vary depending on the toolholder shank, weight, balanceability and the G rating.

### BT30 - Inch

Part Number	Style	d	L	L1	D	Set Screw Part Number
B3006-0125-2.36	Standard	1/8"	2.36"	0.63"	0.75"	S6-32X1/4
B3006-0187-2.36	Standard	3/16"	2.36"	0.87"	0.75"	S8-32X1/4
B3006-0250-2.36	Standard	1/4"	2.36"	1.10"	0.79"	S1/4-28X1/4
B3006-0312-2.36	Standard	5/16"	2.36"	1.26"	0.87"	S5/16-24X1/4
B3006-0375-2.36	Standard	3/8"	2.36"	1.26"	1.00"	S3/8-24X5/16
B3006-0437-2.36	Standard	7/16"	2.36"	1.50"	1.38"	S7/16-20X3/8
B3006-0500-2.36	Standard	1/2"	2.36"	1.50"	1.38"	S7/16-20X3/8
B3006-0625-2.50	Standard	5/8"	2.50"	1.61"	1.65"	S9/16-18X1/2
B3006-0750-3.00	Standard	3/4"	3.00"	1.77"	1.88"	S5/8-18X1/2
B3006-0875-3.54	Standard	7/8"	3.54"	2.09"	2.00"	S5/8-18X1/2 (2)
B3006-1000-3.54	Standard	1"	3.54"	2.36"	2.36"	S3/4-16X11/16 (2)

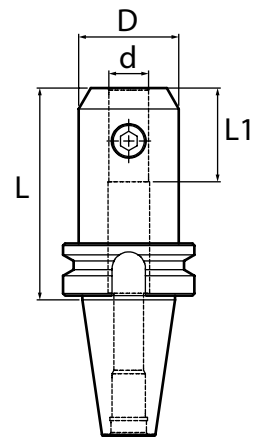
Note: Set Screws are included.



### BT30 - Metric

Part Number	Style	d	L	L1	D	Set Screw Part Number
B3006-6-2.50	Standard	6mm	2.50"	1.10"	0.79"	S1/4-28X1/4
B3006-10-2.50	Standard	10mm	2.50"	1.26"	1.00"	S3/8-24X5/16
B3006-12-2.50	Standard	12mm	2.50"	1.50"	1.38"	S7/16-20X3/8
B3006-16-2.50	Standard	16mm	2.50"	1.61"	1.65"	S9/16-18X1/2
B3006-18-3.50	Standard	18mm	3.50"	1.65"	1.89"	S5/8-18X1/2
B3006-20-3.50	Standard	20mm	3.50"	1.65"	1.89"	S5/8-18X1/2
B3006-25-3.50	Standard	25mm	3.50"	2.36"	2.36"	S3/4-16X11/16 (2)

Note: Set Screws are included.



Set Screws  
Page 135



Tool Jaw  
Page 234

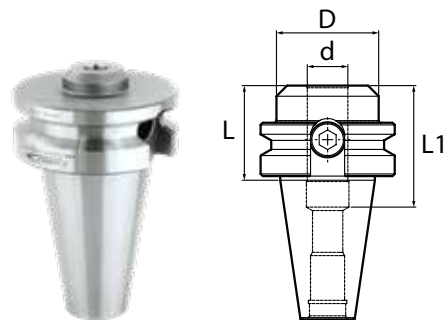


Retention Knobs  
Page 229

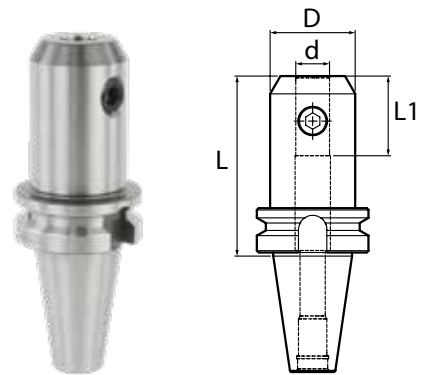
**BT End Mill Holders**

**BT40 - Inch**

Part Number	Style	d	L	L1	D	Set Screw Part Number
B40S6-0125-1.38	Stubby	1/8"	1.38"	0.78"	0.75"	S6-32X1/4
B4006-0125-2.36	Standard	1/8"	2.36"	0.63"	0.75"	S6-32X1/4
B4016-0125-4.00	Standard	1/8"	4.00"	0.63"	0.75"	S6-32X1/4
B4006-0187-2.50	Standard	3/16"	2.50"	0.86"	0.75"	S8-32X1/4
B4016-0187-4.00	Standard	3/16"	4.00"	0.86"	0.75"	S8-32X1/4
B40S6-0250-1.38	Stubby	1/4"	1.38"	1.18"	0.79"	S1/4-28X1/4
B4006-0250-2.50	Standard	1/4"	2.50"	1.10"	0.79"	S1/4-28X1/4
B4016-0250-4.00	Standard	1/4"	4.00"	1.10"	0.79"	S1/4-28X1/4
B4006-0312-2.50	Standard	5/16"	2.50"	1.26"	0.87"	S5/16-24X1/4
B4016-0312-4.00	Standard	5/16"	4.00"	1.26"	0.87"	S5/16-24X1/4
B4006-0375-2.50	Standard	3/8"	2.50"	1.26"	1.00"	S3/8-24x5/16
B4016-0375-4.00	Standard	3/8"	4.00"	1.26"	1.00"	S3/8-24x5/16
B4006-0437-2.50	Standard	7/16"	2.50"	1.53"	1.38"	S7/16-20X3/8
B40S6-0500-1.75	Stubby	1/2"	1.75"	1.57"	1.38"	S7/16-20X3/8
B4006-0500-2.50	Standard	1/2"	2.50"	1.50"	1.38"	S7/16-20X3/8
B4016-0500-4.00	Standard	1/2"	4.00"	1.57"	1.38"	S7/16-20X3/8
B40S6-0625-1.75	Stubby	5/8"	1.75"	1.61"	1.65"	S9/16-18X1/2
B4006-0625-2.50	Standard	5/8"	2.50"	1.61"	1.65"	S9/16-18X1/2
B4016-0625-4.00	Standard	5/8"	4.00"	1.61"	1.65"	S9/16-18X1/2
B40S6-0750-1.75	Stubby	3/4"	1.75"	1.77"	1.89"	S5/8-18X1/2
B4006-0750-2.50	Standard	3/4"	2.50"	1.77"	1.89"	S5/8-18X1/2
B4016-0750-4.00	Standard	3/4"	4.00"	1.77"	1.89"	S5/8-18X1/2
B4006-0875-3.38	Standard	7/8"	3.38"	2.08"	2.00"	S5/8-18X1/2 (2)
B40S6-1000-2.00	Stubby	1"	2.00"	2.28"	2.25"	S3/4-16X11/16
B4006-1000-3.56	Standard	1"	3.56"	2.36"	2.36"	S3/4-16X11/16 (2)
B4016-1000-6.00	Standard	1"	6.00"	2.36"	2.36"	S3/4-16X11/16 (2)
B40S6-1250-2.00	Stubby	1-1/4"	2.00"	2.16"	2.25"	S3/4-16X11/16
B4006-1250-3.56	Standard	1-1/4"	3.56"	2.56"	2.48"	S3/4-16X11/16 (2)
B4006-1500-4.50	Standard	1-1/2"	4.50"	2.83"	2.99"	S3/4-16X11/16 (2)



**Stubby**



**Standard**

Note: Set Screws are included.



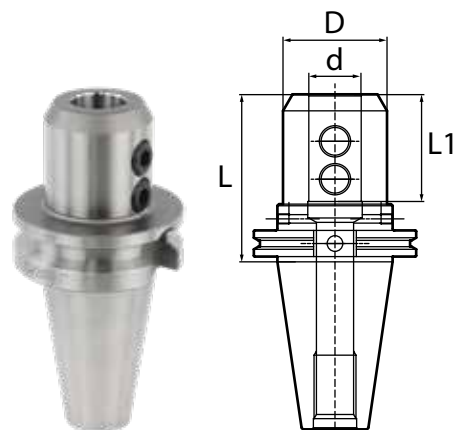
## BT End Mill Holders



### BT50 - Inch

Part Number	Style	d	L	L1	D	Set Screw Part Number
B5006-0375-2.75	Standard	3/8"	2.75"	1.26"	1.00"	S3/8-24X5/16
B5016-0375-6.00	Standard	3/8"	6.00"	1.26"	1.00"	S3/8-24X5/16
B5006-0500-3.00	Standard	1/2"	3.00"	1.50"	1.38"	S7/16-20X3/8
B5016-0500-6.00	Standard	1/2"	6.00"	1.50"	1.38"	S7/16-20X3/8
B5006-0625-3.00	Standard	5/8"	3.00"	1.61"	1.65"	S9/16-18X1/2
B5006-0750-3.00	Standard	3/4"	3.00"	1.77"	1.89"	S5/8-18X1/2
B5016-0750-6.00	Standard	3/4"	6.00"	1.77"	1.89"	S5/8-18X1/2
B5006-1000-4.00	Standard	1"	4.00"	2.36"	2.36"	S3/4-16X11/16 (2)
B5016-1000-6.00	Standard	1"	6.00"	2.36"	2.36"	S3/4-16X11/16 (2)
B5006-1250-4.00	Standard	1-1/4"	4.00"	2.56"	2.48"	S3/4-16X11/16 (2)
B5016-1250-6.00	Standard	1-1/4"	6.00"	2.56"	2.48"	S3/4-16X11/16 (2)
B5006-1500-4.50	Standard	1-1/2"	4.50"	2.83"	2.99"	S3/4-16X11/16 (2)
B5006-2000-5.00	Standard	2"	5.00"	3.34"	3.74"	S1-14X7/8 (2)

Note: Set Screws are included.



### BT50 - Metric

Part Number	Style	d	L	L1	D	Set Screw Part Number
B5006-12-3.00	Standard	12mm	3.00"	1.50"	1.38"	S7/16-20X3/8
B5006-16-3.00	Standard	16mm	3.00"	1.61"	1.65"	S9/16-18X1/2
B5006-25-4.00	Standard	25mm	4.00"	2.36"	2.36"	S3/4-16X11/16 (2)

Note: Set Screws are included.



## HSK End Mill Holders

- End mill inner bore T.I.R.  $\leq$  0.0002"
- Through-spindle coolant capability
- AT3 or better taper



**T.I.R.:** < 0.0002" run out in ID bore



**Speed:** up to 20,000 RPM



**Set-up:** quick and easy



**Coolant-Thru:** jet slots (optional)



Milling



Drilling



Tapping



Reaming

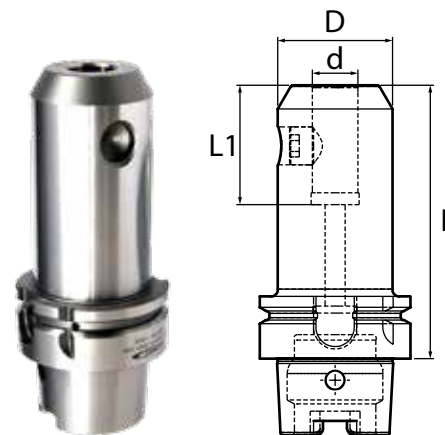
Please note that the maximum RPM listed in our catalog may vary depending on the toolholder shank, weight, balanceability and the G rating.

### HSK40A

Part Number	d	L	L1	D	Set Screw Part Number
HSK40A-0187-75	3/16"	2.950"	0.870"	0.750"	S8-32X1/4
HSK40A-0500-75	1/2"	2.950"	1.780"	1.380"	S7/16-20X3/8
HSK40A-0750-75	3/4"	2.950"	1.970"	1.890"	S5/8-18X1/2

### HSK63A

Part Number	d	L	L1	D	Set Screw Part Number
HSK63A-0187-5.00	3/16"	5.000"	0.866"	0.748"	S8-32X1/4
HSK63A-0250-3.00	1/4"	3.000"	1.102"	0.787"	S1/4-28X1/4
HSK63A-0250-5.00	1/4"	5.000"	1.102"	0.787"	S1/4-28X1/4
HSK63A-0375-3.50	3/8"	3.500"	1.574"	1.000"	S3/8-24X5/16
HSK63A-0375-5.00	3/8"	5.000"	1.574"	1.000"	S3/8-24X5/16
HSK63A-0437-4.00	7/16"	4.000"	1.771"	1.378"	S7/16-20X3/8
HSK63A-0437-5.00	7/16"	5.000"	1.771"	1.378"	S7/16-20X3/8
HSK63A-0500-4.00	1/2"	4.000"	1.771"	1.378"	S7/16-20X3/8
HSK63A-0500-5.00	1/2"	5.000"	1.771"	1.378"	S7/16-20X3/8
HSK63A-0625-4.00	5/8"	4.000"	1.889"	1.654"	S9/16-18X1/2
HSK63A-0750-4.50	3/4"	4.500"	1.968"	1.889"	S5/8-18X1/2
HSK63A-0750-6.00	3/4"	6.000"	1.968"	1.889"	S5/8-18X1/2
HSK63A-1000-4.50	1"	4.500"	2.755"	2.363"	S3/4-16X11/16 (2)
HSK63A-1000-6.00	1"	6.000"	2.755"	2.363"	S3/4-16X11/16 (2)
HSK63A-1250-4.50	1-1/4"	4.500"	2.952"	2.880"	S3/4-16X11/16 (2)
HSK63A-1250-6.00	1-1/4"	6.000"	2.952"	2.880"	S3/4-16X11/16 (2)



Note:

- Set Screws are included.
- Coolant tube and coolant tube wrench are sold separately.

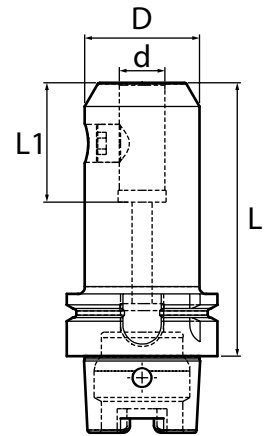


## HSK End Mill Holders



### HSK 100A

Part Number	d	L	L1	D	Set Screw Part Number
HSK100A-0250-4.00	1/4"	4.000"	1.102"	0.787"	S1/4-28X1/4
HSK100A-0250-6.00	1/4"	6.000"	1.102"	0.787"	S1/4-28X1/4
HSK100A-0375-4.00	3/8"	4.000"	1.260"	1.000"	S3/8-24X5/16
HSK100A-0375-6.00	3/8"	6.000"	1.260"	1.000"	S3/8-24X5/16
HSK100A-0437-6.00	7/16"	6.000"	1.496"	1.378"	S7/16-20X3/8
HSK100A-0500-4.00	1/2"	4.000"	1.575"	1.378"	S7/16-20X3/8
HSK100A-0500-6.00	1/2"	6.000"	1.575"	1.378"	S7/16-20X3/8
HSK100A-0625-4.00	5/8"	4.000"	1.693"	1.654"	S9/16-18X1/2
HSK100A-0750-4.00	3/4"	4.000"	1.969"	1.890"	S5/8-18X1/2
HSK100A-0750-6.00	3/4"	6.000"	1.969"	1.890"	S5/8-18X1/2
HSK100A-1000-4.00	1"	4.000"	2.559"	2.362"	S3/4-16X11/16 (2)
HSK100A-1000-6.00	1"	6.000"	2.559"	2.362"	S3/4-16X11/16 (2)
HSK100A-1250-4.00	1-1/4"	4.000"	2.559"	2.480"	S3/4-16X11/16 (2)
HSK100A-1250-6.00	1-1/4"	6.000"	2.559"	2.480"	S3/4-16X11/16 (2)



**Note:**

- Set Screws are included.
- Coolant tube and coolant tube wrench are sold separately.



Set Screws  
Page 135



HSK Coolant Tube  
Page 135



HSK Coolant Tube Wrench  
Pages 135

## NMTB End Mill Holders



**T.I.R.:** < 0.0002" run out in ID bore



**Set-up:** quick and easy



Milling



Drilling



Tapping

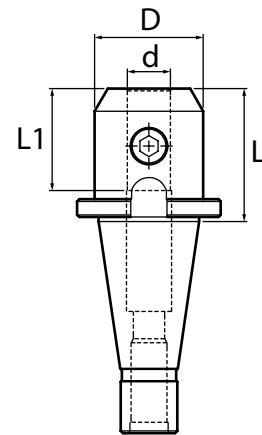


Reaming

- End mill inner bore T.I.R. ≤ 0.0002"
- Through-spindle coolant capability
- AT3 or better taper

### NMTB30

Part Number	d	L	L1	D	Set Screw Part Number
N3006-0125-1.75	1/8"	1.75"	0.63"	0.75"	S6-32X1/4
N3006-0250-1.75	1/4"	1.75"	1.10"	0.79"	S1/4-28X1/4
N3006-0375-1.75	3/8"	1.75"	1.26"	1.00"	S3/8-24X5/16
N3006-0500-1.75	1/2"	1.75"	1.57"	1.38"	S7/16-20X3/8
N3006-0750-2.25	3/4"	2.25"	1.85"	1.89"	S5/8-18X1/2
N3006-1000-2.69	1"	2.69"	2.24"	2.36"	S3/4-16X11/16



### NMTB40

Part Number	d	L	L1	D	Set Screw Part Number
N4006-0125-2.31	1/8"	2.31"	0.63"	0.75"	S6-32X1/4
N4006-0187-2.31	3/16"	2.31"	0.87"	0.75"	S8-32X1/4
N4006-0250-2.31	1/4"	2.31"	1.10"	0.79"	S1/4-28X1/4
N4006-0312-2.31	5/16"	2.31"	1.26"	0.87"	S5/16-24X1/4
N4006-0375-2.31	3/8"	2.31"	1.26"	1.00"	S3/8-24X5/16
N4006-0500-2.31	1/2"	2.31"	1.50"	1.38"	S7/16-20X3/8
N4006-0625-2.31	5/8"	2.31"	1.61"	1.65"	S9/16-18X1/2
N4006-0750-2.31	3/4"	2.31"	1.77"	1.89"	S5/8-18X1/2
N4006-0875-2.94	7/8"	2.94"	2.09"	2.01"	S5/8-18X1/2 (2)
N4006-1000-3.37	1"	3.37"	2.36"	2.36"	S3/4-16X11/16 (2)

Note:

- Set Screws are included.
- NMTB shanks are suitable for use with Erickson Quick Change spindles.



## R8 and Straight Shank End Mill Holders



**T.I.R.:** < 0.0002" run out in ID bore



**Set-up:** quick and easy



Milling



Drilling



Tapping



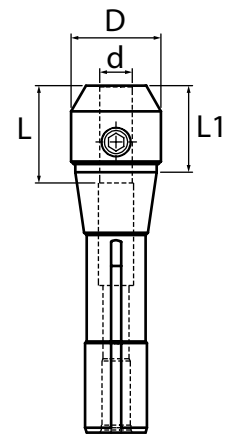
Reaming

- End mill inner bore T.I.R.  $\leq 0.0002''$
- Through-spindle coolant capability
- AT3 or better taper

### R8

Part Number	d	L	L1	D	Set Screw Part Number
830-008-1.33	1/8"	1.33"	0.63"	0.75"	S6-32X1/4
830-012-1.33	3/16"	1.33"	0.87"	0.75"	S8-32X1/4
830-016-1.33	1/4"	1.33"	1.10"	0.79"	S1/4-28X1/4
830-020-1.33	5/16"	1.33"	1.26"	0.87"	S5/16-24X1/4
830-024-1.33	3/8"	1.33"	1.26"	1.00"	S3/8-24X5/16
830-028-1.33	7/16"	1.33"	1.50"	1.38"	S7/16-20X3/8
830-032-1.33	1/2"	1.33"	1.50"	1.38"	S7/16-20X3/8
830-040-1.50	5/8"	1.50"	1.61"	1.65"	S9/16-18X1/2
830-048-2.37	3/4"	2.37"	1.77"	1.89"	S5/8-18X1/2
830-056-2.75	7/8"	2.75"	2.36"	2.01"	S5/8-18X1/2 (2)
830-064-3.25	1"	3.25"	2.76"	2.36"	S3/4-16X11/16 (2)
830-080-3.25	1-1/4"	3.25"	2.56"	2.48"	S3/4-16X11/16 (2)
830-096-3.75	1-1/2"	3.75"	2.83"	2.99"	S3/4-16X11/16 (2)

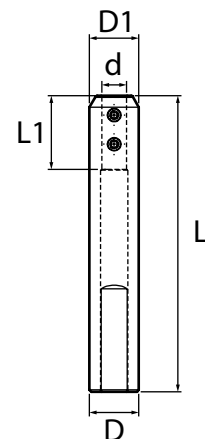
Note: Set Screws are included.



### STRAIGHT SHANK

Part Number	d	L	L1	D	D1	Set Screw Part Number
S7506-0125-6.00	1/8"	6.00"	0.63"	.750"	0.50"	S6-32X1/4
S7506-0187-6.00	3/16"	6.00"	0.86"	.750"	0.56"	S8-32X1/4
S7506-0250-6.00	1/4"	6.00"	1.10"	.750"	0.75"	S1/4-28X1/4
S7506-0312-6.00	5/16"	6.00"	1.26"	.750"	0.75"	S5/16-24X1/4
S1006-0375-6.00	3/8"	6.00"	1.26"	1.00"	1.00"	S3/8-24X5/16 (2)
S1006-0500-6.00	1/2"	6.00"	1.49"	1.00"	1.00"	S1/4-28x1/4 (2)

Note: Set Screws are included.



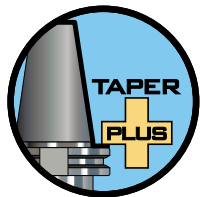
Set Screws  
Page 135



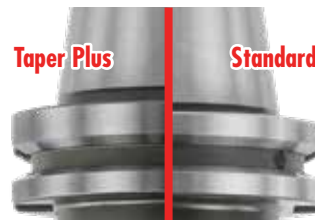
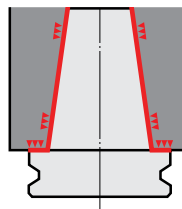
R8 Collet  
Page 218

## Taper Plus CAT End Mill Holders

### Taper Plus Advantages

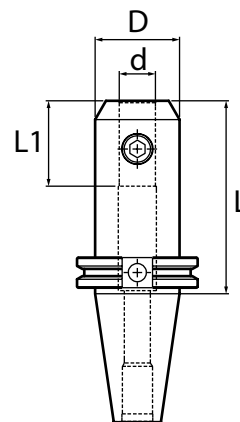


- Outstanding runout accuracy for longer tool life
- Vibration dampening for increased productivity
- High rigidity for smooth and stable cutting
- Interchangeable between standard and dual face contact spindles
- 53% more surface area contact than just the taper alone



### Taper Plus - CAT40

Part Number	d	L	L1	D	Set Screw Part Number
NC4006-0500-2.50	1/2"	2.50"	1.50"	1.38"	S7/16-20X3/8
NC4006-0625-3.00	5/8"	3.00"	1.61"	1.65"	S9/16-18X1/2
NC4006-0750-3.00	3/4"	3.00"	1.77"	1.75"	S5/8-18X1/2
NC4006-1000-4.00	1"	4.00"	2.36"	2.36"	S3/4-16X11/16 (2)
NC4006-1250-4.00	1-1/4"	4.00"	2.55"	2.48"	S3/4-16X11/16 (2)
NC4006-1500-4.50	1-1/2"	4.50"	2.55"	2.99"	S3/4-16X11/16 (2)
NC4016-0500-4.00	1/2"	4.00"	1.50"	1.38"	S7/16-20X3/8
NC4016-0750-4.00	3/4"	4.00"	1.77"	1.75"	S5/8-18X1/2
NC4026-0500-5.00	1/2"	5.00"	1.50"	1.38"	S7/16-20X3/8



### Taper Plus - CAT50

Part Number	d	L	L1	D	Set Screw Part Number
NC5006-0500-2.63	1/2"	2.63"	1.50"	1.38"	S7/16-20X3/8
NC5006-0625-3.00	5/8"	3.00"	1.61"	1.65"	S9/16-18X1/2
NC5006-0750-3.00	3/4"	3.00"	1.77"	1.89"	S5/8-18X1/2
NC5006-1000-4.00	1"	4.00"	2.36"	2.36"	S3/4-16X11/16 (2)
NC5006-1250-3.00A*	1-1/4"	3.00"	2.27"	2.87"	S3/4-16X7/8
NC5006-1250-4.00	1-1/4"	4.00"	2.55"	2.48"	S3/4-16X11/16 (2)
NC5006-1500-4.50	1-1/2"	4.50"	2.83"	2.99"	S3/4-16X11/16 (2)
NC5006-2000-5.35A*	2"	5.35"	3.38"	4.00"	S3/4-16X7/8
NC5006-2000-5.37	2"	5.37"	3.34"	3.74"	S1"-14x7/8
NC5006-2500-5.35A*	2-1/2"	5.35"	3.38"	5.00"	S3/4-16X7/8 (2)
NC5006-2500-6.00	2-1/2"	6.00"	3.66"	4.25"	S1"-14x7/8 (2)
NC5006-32-4.00	32mm	4.00"	2.55"	2.48"	S3/4-16X11/16 (2)
NC5006-40-4.50	40mm	4.50"	2.95"	3.07"	S3/4-16X11/16 (2)
NC5006-50-5.37	50mm	5.37"	3.35"	3.74"	S1"-14x7/8 (2)
NC5016-0500-4.00	1/2"	4.00"	1.50"	1.38"	S7/16-20X3/8
NC5016-0625-4.00	5/8"	4.00"	1.61"	1.65"	S9/16-18X1/2
NC5016-0750-4.00	3/4"	4.00"	1.77"	1.89"	S5/8-18X1/2
NC5016-1000-6.00	1"	6.00"	2.36"	2.36"	S3/4-16X11/16 (2)
NC5016-1250-6.00	1-1/4"	6.00"	2.55"	2.48"	S3/4-16X11/16 (2)
NC5026-0750-6.00	3/4"	6.00"	1.77"	1.89"	S5/8-18X1/2

Note: \*Non-stocking item. Please contact us for more information.







## End Mill Holder Accessories

### Replacement Set Screws for End Mill Holders

Part Number	Size of Holder Internal Diameter
S6-32X1/4	1/8"
S8-32X1/4	3/16"
S1/4-28x1/4	1/4", 6mm
S5/16-24X1/4	5/16", 8mm
S3/8-24X5/16	3/8", 10mm
S7/16-20X3/8	7/16", 1/2", 12mm
S9/16-18X1/2	5/8", 14-16mm
S5/8-18X1/2	3/4", 7/8", 18-20mm
S3/4-16X11/16	1", 1-1/4", 1-1/2", 25-42mm
S1-14x7/8	2", 2-1/2"



### Replacement Set Screws for Aerospace End Mill Holders

Part Number	Size of Holder Internal Diameter
S1/2-20UNF	5/8", 3/4", 7/8"
S3/4-16x7/16	1", 1-1/4", 1-1/2", 2", 2-1/2"



### Coolant Tube for HSK Holders

Part Number	Description
HSK40-TUBE	Coolant Tube for HSK40 holders
HSK63-TUBE	Coolant Tube for HSK63 holders
HSK100-TUBE	Coolant Tube for HSK100 holders



### Coolant Tube Wrench for HSK Holders

Part Number	Description
HSK40-WRENCH	Wrench for HSK40 Coolant Tube
HSK63-WRENCH	Wrench for HSK63 Coolant Tube
HSK100-WRENCH	Wrench for HSK100 Coolant Tube



Note: Coolant tube wrenches are needed to remove or install coolant tubes in HSK toolholders.

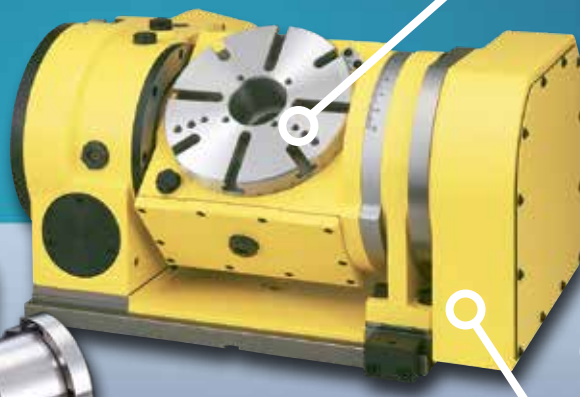
# YOUR CNC ROTARY TABLE SOLUTION



**REDUCED SETUPS,  
INCREASED PRODUCTIVITY,  
PROFITS IN YOUR POCKET!**

Heat Treated and Ion Nitrided Steel Worm Wheel greatly increases wear resistance and reduces backlash adjustment

Extreme rigidity, concentricity and precision with 4 arc second repeatability



Compact design to fit any CNC machining center

Patented Solid Carbide Worm Screw, thread ground for extreme accuracy and precision

## ROTARY TABLE FEATURES



### Unique Faceplate and Worm Wheel Assembly

- Unique shrunk fit worm wheel design onto solid faceplate and quill body for high precision concentricity
- Shorter distance from faceplate to gear allows for greater torsional forces to be sustained



### Independent Tubular Thrust and Radial Bearings

- Custom paired and matched for every rotary table
- Provide vibration dampening and internal gear protection
- Extreme rigidity and concentric accuracy from needle roller bearings



Phone: (847) 367-4800



Email: [sales@lyndexnikken.com](mailto:sales@lyndexnikken.com)



[www.lyndexnikken.com](http://www.lyndexnikken.com)

Connect with us on our social media channels!





## Shell Mill & Face Mill Holder Features

Our Shell Mill Holders are available in a wide variety of tapers and sizes, including CAT, BT, HSK, and R8. Both metric and inch sizes are available, accommodating face mills with bore diameters ranging from 1/2" (12mm) to 2" (50mm).

Taper ground to AT3 or better to ensure 80% taper contact

h6 precision ground pilot for concentric and repeatable mounting of shell mill

Surface ground to maintain .0002" perpendicularity to centerline ensuring flat engagement of shell mill



**Shell Mill Holder**

Nickel Chrome Molybdenum Alloy body

Keys included as standard for quick set up

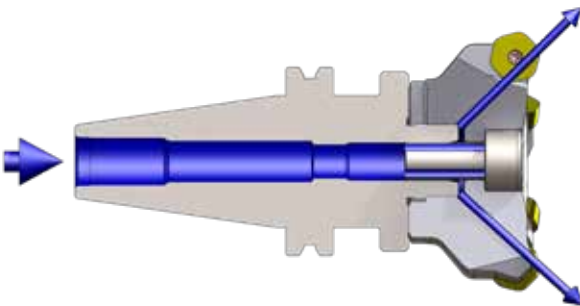
Heat-treated carbon steel nut prevents wear and increases clamping pressure



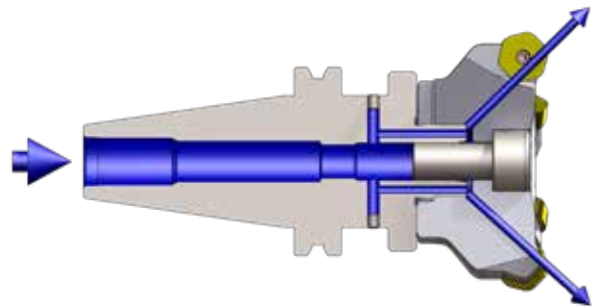
**Face Mill Holder**

## Coolant-Thru Applications

### For Coolant-Thru Shell Mill



**A.** With coolant slotted bolt (grooves along the bolt): coolant applied through body of the shell mill.



**B.** Modified Shell Mill holder to supply coolant through the sides. Please contact us for more information.

## CAT Shell Mill Holders



**T.I.R.:** <.00015" run out at pilot



Milling



**Speed:** up to 30,000 rpm



**Set-up:** quick and easy



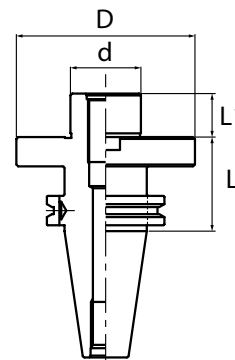
**Coolant-Thru:** thru-pilot (optional)

Please note that the maximum RPM listed in our catalog may vary depending on the toolholder shank, weight, balanceability and the G rating.

- Accommodates face mills with bore diameters ranging from 1/2" (12mm) to 2" (50mm)
- Pilot diameter sized for precision fit with cutter
- Removable/replaceable drive keys as standard
- Fine thread locking screw included
- AT3 or better taper
- Available in high-speed balanceable versions

### CAT40 - Inch

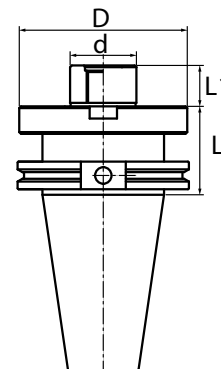
Part Number	d	L	D	L1	Key Size	Arbor Thread
C4001-0500-1.75	1/2"	1.75"	1.378"	0.57"	1/4"	1/4"-28
C4001-0750-1.75	3/4"	1.75"	1.929"	0.67"	5/16"	3/8"-24
C4011-0750-4.00	3/4"	4.00"	1.929"	0.67"	5/16"	3/8"-24
C4001-1000-1.75	1"	1.75"	2.382"	0.67"	3/8"	1/2"-20
C4011-1000-4.00	1"	4.00"	2.382"	0.67"	3/8"	1/2"-20
C4001-1250-2.00	1-1/4"	2.00"	2.882"	0.67"	1/2"	5/8"-18
C4011-1250-4.00	1-1/4"	4.00"	2.882"	0.67"	1/2"	5/8"-18
C4001-1500-2.00	1-1/2"	2.00"	3.799"	0.93"	5/8"	3/4"-16
C4011-1500-4.00	1-1/2"	4.00"	3.799"	0.93"	5/8"	3/4"-16



Available in **TAPER PLUS** Dual-taper and flange contact

### CAT50 - Inch

Part Number	d	L	D	L1	Key Size	Arbor Thread
C5001-0750-1.75	3/4"	1.75"	1.929"	0.67"	5/16"	3/8"-24
C5011-0750-4.00	3/4"	4.00"	1.929"	0.67"	5/16"	3/8"-24
C5021-0750-6.00	3/4"	6.00"	1.929"	0.67"	5/16"	3/8"-24
C5031-0750-8.00	3/4"	8.00"	1.929"	0.67"	5/16"	3/8"-24
C5001-1000-1.75	1"	1.75"	2.382"	0.69"	3/8"	1/2"-20
C5011-1000-4.00	1"	4.00"	2.382"	0.69"	3/8"	1/2"-20
C5021-1000-6.00	1"	6.00"	2.382"	0.69"	3/8"	1/2"-20
C5031-1000-8.00	1"	8.00"	2.382"	0.69"	3/8"	1/2"-20
C5001-1250-1.75	1-1/4"	1.75"	2.882"	0.69"	1/2"	5/8"-18
C5011-1250-4.00	1-1/4"	4.00"	2.882"	0.69"	1/2"	5/8"-18
C5021-1250-6.00	1-1/4"	6.00"	2.882"	0.69"	1/2"	5/8"-18
C5031-1250-8.00	1-1/4"	8.00"	2.882"	0.69"	1/2"	5/8"-18
C5001-1500-2.00	1-1/2"	2.00"	3.799"	0.93"	5/8"	3/4"-16
C5011-1500-4.00	1-1/2"	4.00"	3.799"	0.93"	5/8"	3/4"-16
C5021-1500-6.00	1-1/2"	6.00"	3.799"	0.93"	5/8"	3/4"-16
C5031-1500-8.00	1-1/2"	8.00"	3.799"	0.93"	5/8"	3/4"-16
C5001-2000-2.00	2"	2.00"	4.382"	0.93"	3/4"	1"-14
C5011-2000-4.00	2"	4.00"	4.382"	0.93"	3/4"	1"-14



Available in **TAPER PLUS** Dual-taper and flange contact

All Shell Mill Holders are center thru-coolant capable. Arbor screws are not coolant-thru but can be modified to facilitate coolant capabilities. See shell mill manufacturer specifications to determine modification requirements.



Replacement Keys  
Page 147

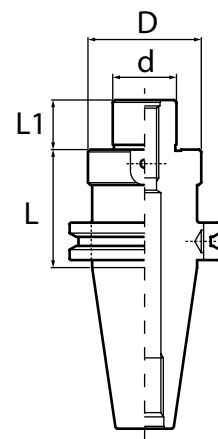


Replacement Arbor Screws  
Page 147

## CAT Shell/Face Mill Holders

### CAT40 - Metric

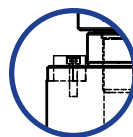
Part Number	d	L	D	L1	Key Size	Arbor Thread
C4001-22-50*	22mm	50mm	40mm	19mm	10mm	M10
C4001-27-50	27mm	50mm	48mm	21mm	12mm	M12
C4001-32-50	32mm	50mm	58mm	24mm	14mm	M16
C4001-40-60	40mm	60mm	67mm	27mm	16mm	M20



### CAT50 - Metric

Part Number	d	L	D	L1	Key Size	Arbor Thread
C5001-22-60*	22mm	60mm	40mm	19mm	10mm	M10
C5001-27-60	27mm	60mm	48mm	21mm	12mm	M12
C5001-32-60	32mm	60mm	58mm	24mm	14mm	M16
C5001-40-60	40mm	60mm	67mm	27mm	16mm	M20

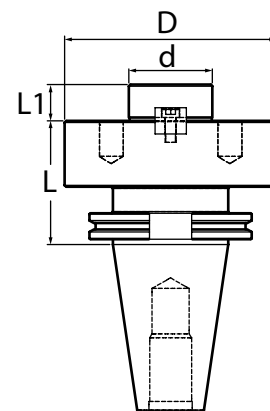
Note: \*Drive Keys for this part number are positioned horizontally.



### CAT50 - Inch Face Mill Holders

Part Number	d	L	D	L1	Key Size
C50F1-2500-2.95	2-1/2"	2.95"	5.00"	1.18"	1.00"

Note: Face Mill Holders are supplied with four 5/8-11 mounting bolts. Pitch circle diameter is 4".



All Shell Mill Holders are center thru-coolant capable. Arbor screws are not coolant-thru but can be modified to facilitate coolant capabilities. See shell mill manufacturer specifications to determine modification requirements.



Replacement Keys  
Page 147



Replacement Arbor Screws  
Page 147

## BT Shell Mill Holders



**T.I.R.:** <.00015" run out at pilot



Milling



**Speed:** up to 30,000 rpm



**Set-up:** quick and easy



**Coolant-Thru:** thru-pilot (optional)

Please note that the maximum RPM listed in our catalog may vary depending on the toolholder shank, weight, balanceability and the G rating.

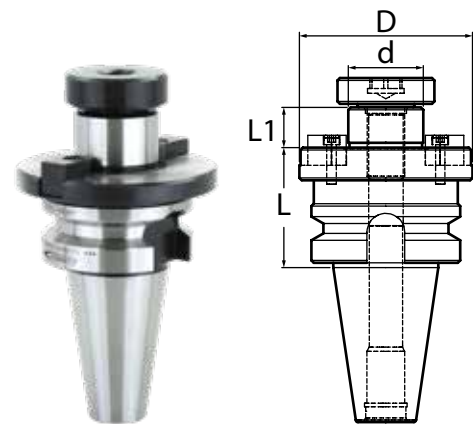
- Accommodates face mills with bore diameters ranging from 1/2" (12mm) to 2" (50mm)
- Pilot diameter sized for precision fit with cutter
- Removable/replaceable drive keys as standard
- Fine thread locking screw included
- AT3 or better taper
- Available in high-speed balanceable versions

### BT30 - Inch

Part Number	d	L	D	L1	Key Size	Arbor Thread
B3001-0500-1.19	1/2"	1.19"	1.378"	0.57"	1/4"	1/4"-28
B3001-0750-1.19	3/4"	1.19"	2.000"	0.67"	5/16"	3/8"-24
B3001-1000-1.19	1"	1.19"	2.382"	0.67"	3/8"	1/2"-20



Available in **TAPER PLUS** <sup>+</sup>Dual-taper and flange contact



### BT40 - Inch

Part Number	d	L	D	L1	Key Size	Arbor Thread
B4001-0750-1.75	3/4"	1.75"	1.929"	0.67"	5/16"	3/8"-24
B4001-1000-1.75	1"	1.75"	2.382"	0.67"	3/8"	1/2"-20
B4001-0500-1.75	1/2"	1.75"	1.378"	0.57"	1/4"	1/4"-28
B4001-1500-2.00	1-1/2"	2.00"	3.799"	0.92"	5/8"	3/4"-16

All Shell Mill Holders are center thru-coolant capable. Arbor screws are not coolant-thru but can be modified to facilitate coolant capabilities. See shell mill manufacturer specifications to determine modification requirements.



Replacement Keys  
Page 147

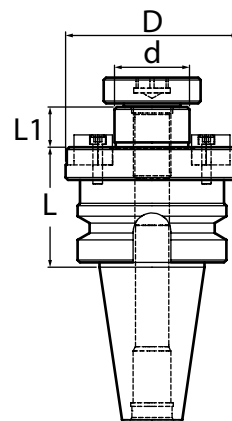


Replacement Arbor Screws  
Page 147

**BT Shell/Face Mill Holders**

**BT50 - Inch**

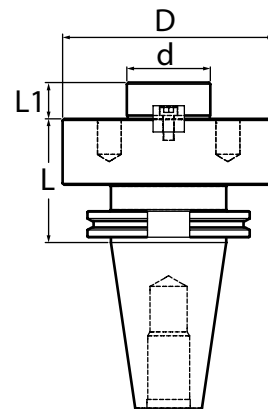
Part Number	d	L	D	L1	Key Size	Arbor Thread
B5001-0750-1.75	3/4"	1.75"	1.929"	0.67"	5/16"	3/8"-24
B5001-1000-1.75	1"	1.75"	2.382"	0.68"	3/8"	1/2"-20
B5011-1000-4.00	1"	4.00"	2.382"	0.68"	3/8"	1/2"-20
B5021-1000-6.00	1"	6.00"	2.382"	0.68"	3/8"	1/2"-20
B5001-1250-2.00	1-1/4"	2.00"	2.882"	0.68"	1/2"	5/8"-18
B5021-1500-6.00	1-1/2"	6.00"	3.799"	0.93"	5/8"	3/4"-16
B5001-2000-2.00	2"	2.00"	4.382"	0.93"	3/4"	1"-14



**BT50 - Inch Face Mill Holders**

Part Number	d	L	D	L1	Key Size
B50F1-2500-3.00	2-1/2"	3.00"	5.00"	1.18"	1"

Note: Face Mill Holders are supplied with four 5/8-11 mounting bolts. Pitch circle diameter is 4".



All Shell Mill Holders are center thru-coolant capable. Arbor screws are not coolant-thru but can be modified to facilitate coolant capabilities. See shell mill manufacturer specifications to determine modification requirements.



Replacement Keys  
Page 147



Replacement Arbor Screws  
Page 147





## HSK Shell Mill Holders



**T.I.R.:** <.00015" run out at pilot



Milling



**Speed:** up to 30,000 rpm



**Set-up:** quick and easy



**Coolant-Thru:** thru-pilot (optional)

- Accommodates face mills with bore diameters ranging from 1/2" (12mm) to 2" (50mm)
- Pilot diameter sized for precision fit with cutter
- Removable/replaceable drive keys as standard
- Fine thread locking screw included
- AT3 or better taper

Please note that the maximum RPM listed in our catalog may vary depending on the toolholder shank, weight, balanceability and the G rating.

### HSK40A/63A

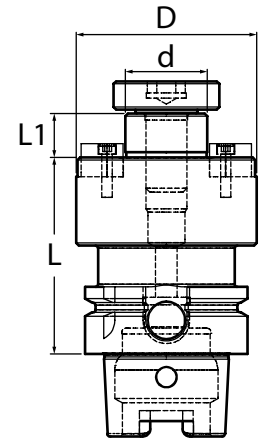
Part Number	d	L	D	L1	Key Size	Arbor Thread
HSK40A-SM0750-60	3/4"	2.36"	1.69"	0.67"	5/16"	3/8"-24
HSK40A-SM1000-60	1"	2.36"	2.17"	0.67"	3/8"	1/2"-20
HSK63A-SM0750-3.00	3/4"	3.00"	1.693"	0.669"	5/16"	3/8"-24
HSK63A-SM0750-5.00	3/4"	5.00"	1.693"	0.669"	5/16"	3/8"-24
HSK63A-SM1000-3.00	1"	3.00"	2.165"	0.669"	3/8"	1/2"-20
HSK63A-SM1000-5.00	1"	5.00"	2.165"	0.669"	3/8"	1/2"-20
HSK63A-SM1250-3.00	1-1/4"	3.00"	2.756"	0.669"	1/2"	5/8"-18
HSK63A-SM1250-5.00	1-1/4"	5.00"	2.756"	0.669"	1/2"	5/8"-18

Note: Coolant tube and coolant tube wrench are not included. See page 147 for more details.

### HSK100A

Part Number	d	L	D	L1	Key Size	Arbor Thread
HSK100A-SM0750-4.00	3/4"	4.00"	1.693"	0.669"	5/16"	3/8"-24
HSK100A-SM0750-6.00	3/4"	6.00"	1.693"	0.669"	5/16"	3/8"-24
HSK100A-SM1000-4.00	1"	4.00"	2.165"	0.669"	3/8"	1/2"-20
HSK100A-SM1000-6.00	1"	6.00"	2.165"	0.669"	3/8"	1/2"-20
HSK100A-SM1250-4.00	1-1/4"	4.00"	2.756"	0.669"	1/2"	5/8"-18
HSK100A-SM1250-6.00	1-1/4"	6.00"	2.756"	0.669"	1/2"	5/8"-18
HSK100A-SM1500-4.00	1-1/2"	4.00"	3.504"	0.902"	5/8"	3/4"-16
HSK100A-SM1500-6.00	1-1/2"	6.00"	3.504"	0.902"	5/8"	3/4"-16
HSK100A-SM2000-4.00	2"	4.00"	4.488"	0.902"	3/4"	1"-14

Note: Coolant tube and coolant tube wrench are not included. See page 147 for more details.



All Shell Mill Holders are center thru-coolant capable. Arbor screws are not coolant-thru but can be modified to facilitate coolant capabilities. See shell mill manufacturer specifications to determine modification requirements.



Replacement Keys  
Page 147



Replacement Arbor Screws  
Page 147

## NMTB Shell/Face Mill Holders



**T.I.R.:** <.00015" run out at pilot



Milling



**Set-up:** quick and easy



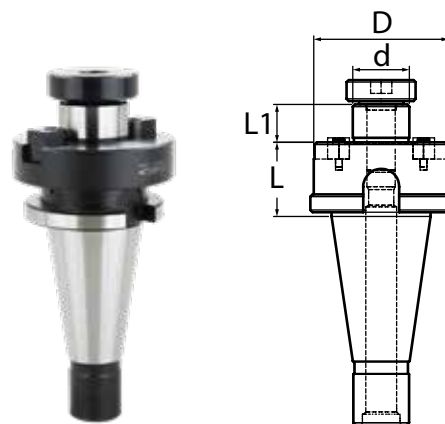
**Coolant-Thru:** thru-pilot (optional)

- Accommodates face mills with bore diameters ranging from 1/2" (12mm) to 2" (50mm)
- Pilot diameter sized for precision fit with cutter
- Removable/replaceable drive keys as standard
- Fine thread locking screw included
- AT3 or better taper

Please note that the maximum RPM listed in our catalog may vary depending on the toolholder shank, weight, balanceability and the G rating.

### NMTB30/40/50

Part Number	Taper	d	L	D	L1	Key Size	Arbor Thread
N3001-0750-1.31	NMTB30	3/4"	1.31"	1.929"	0.67"	5/16"	3/8"-24
N3001-1000-1.31	NMTB30	1"	1.31"	2.382"	0.67"	3/8"	1/2"-20
N3001-1250-1.44	NMTB30	1-1/4"	1.44"	2.882"	0.67"	1/2"	5/8"-18
N4001-0750-0.87	NMTB40	3/4"	0.87"	1.937"	0.67"	5/16"	3/8"-24
N4001-1000-1.31	NMTB40	1"	1.31"	2.382"	0.67"	3/8"	1/2"-20
N4001-1500-1.63	NMTB40	1-1/2"	1.63"	3.500"	0.93"	5/8"	3/4"-16
N5001-1500-1.88	NMTB50	1-1/2"	1.88"	3.500"	0.93"	5/8"	3/4"-16

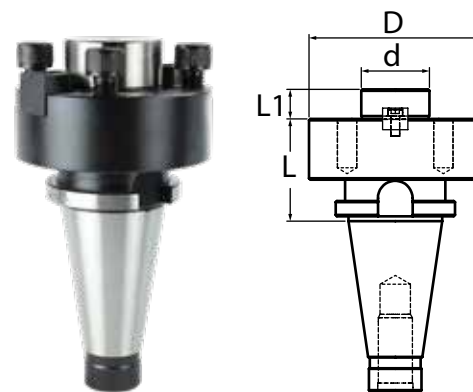


Note: NMTB shanks are suitable for use with Erickson Quick Change spindles.

### NMTB50 - Face Mill Holders

Part Number	Taper	d	L	D	L1	Key Size
N50F1-2500-3.00	NMTB50	2-1/2"	3.00"	5.00"	1.18"	1"

Note: NMTB shanks are suitable for use with Erickson Quick Change spindles. Face Mill Holders are supplied with four 5/8-11 mounting bolts. Pitch circle diameter is 4".



All Shell Mill Holders are center thru-coolant capable. Arbor screws are not coolant-thru but can be modified to facilitate coolant capabilities. See shell mill manufacturer specifications to determine modification requirements.



Replacement Keys  
Page 147



Replacement Arbor Screws  
Page 147

## R8 Shell Mill Holder



**T.I.R.:** <.00015" run out at pilot



Milling



**Set-up:** quick and easy



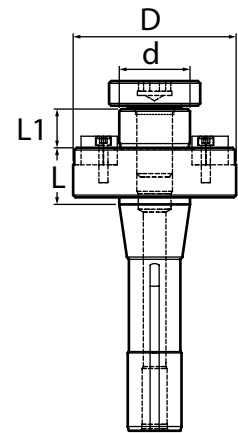
**Coolant-Thru:** thru-pilot (optional)

Please note that the maximum RPM listed in our catalog may vary depending on the toolholder shank, weight, balanceability and the G rating.

- Accommodates face mills with bore diameters ranging from 1/2" (12mm) to 1.5" (38.1mm)
- Pilot diameter sized for precision fit with cutter
- Removable/replaceable drive keys as standard
- Fine thread locking screw included
- AT3 or better taper

### R8

Part Number	Taper	d	L	D	L1	Key Size	Arbor Thread
850-032-1.00	R8	1/2"	1.00"	1.38"	0.57"	1/4"	1/4"-28
850-048-1.00	R8	3/4"	1.00"	2.00"	0.69"	5/16"	3/8"-24
850-064-1.00	R8	1"	1.00"	2.38"	0.69"	3/8"	1/2"-20
850-080-1.00	R8	1-1/4"	1.00"	2.88"	0.69"	1/2"	5/8"-18
850-096-1.75	R8	1-1/2"	1.75"	3.50"	0.94"	5/8"	3/4"-16



All Shell Mill Holders are center thru-coolant capable. Arbor screws are not coolant+thru but can be modified to facilitate coolant capabilities. See shell mill manufacturer specifications to determine modification requirements.



### Lyndex-Nikken Offers Single and Dual Plane Balancing for Large Diameter or Long Tooling Assemblies

#### Benefits of Shell Mill Holder Balancing:

- Balanced assemblies can reduce spindle vibration—prolonging the life of your cutting tools and spindle.
- Increase the quality and consistency of machined surface finishes.
- Achieves greater machined surface flatness.
- Balancing service is only required once during initial set up. Assembly balance is maintained until shell mill/face mill is removed.



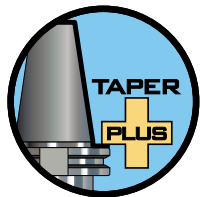
Replacement Keys  
Page 147



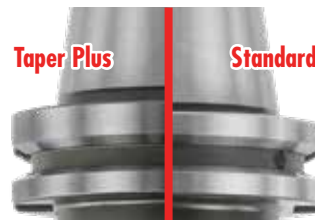
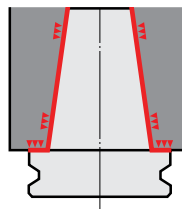
Replacement Arbor Screws  
Page 147

**Taper Plus CAT/BT - Face/Shell Mill Holders**

**Taper Plus Advantages**



- Outstanding runout accuracy for longer tool life
- Vibration dampening for increased productivity
- High rigidity for smooth and stable cutting
- Interchangeable between standard and dual face contact spindles
- 53% more surface area contact than just the taper alone



**Taper Plus - CAT40**

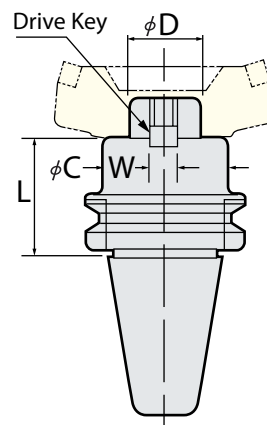
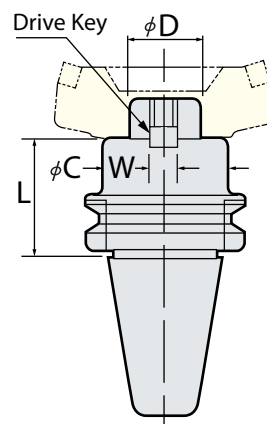
Part Number	L	C	D	Drive Key (W)
NC4001-0750-1.75	1.75"	1.929"	0.750"	0.3125"
NC4001-1000-1.75	1.75"	2.382"	1.000"	0.375"
NC4001-1250-2.00	2.00"	2.882"	1.250"	0.500"
NC4001-1500-2.00	2.00"	3.799"	1.500"	0.625"
NC4011-0750-4.00	4.00"	1.929"	0.750"	0.3125"
NC4011-1000-4.00	4.00"	2.382"	1.000"	0.375"
NC4011-1250-4.00	4.00"	2.882"	1.250"	0.500"

**Taper Plus - CAT50**

Part Number	L	C	D	Drive Key (W)
NC5001-0750-1.75	1.75"	1.929"	0.750"	0.3125"
NC5001-1000-1.75	1.75"	2.382"	1.000"	0.375"
NC5001-1250-1.75	1.75"	2.882"	1.250"	0.500"
NC5001-1500-2.00	2.00"	3.799"	1.500"	0.625"
NC5001-2000-2.00	2.00"	4.382"	2.000"	0.750"
NC5011-0750-4.00	4.00"	1.929"	0.750"	0.3125"
NC5011-1000-4.00	4.00"	2.382"	1.000"	0.375"
NC5011-1250-4.00	4.00"	2.882"	1.250"	0.500"
NC5011-1500-4.00	4.00"	3.799"	1.500"	0.625"
NC5021-0750-6.00	6.00"	1.929"	0.750"	0.3125"
NC5021-1000-6.00	6.00"	2.382"	1.000"	0.375"
NC5021-1250-6.00	6.00"	2.882"	1.250"	0.500"
NC5021-1500-6.00	6.00"	3.799"	1.500"	0.625"
NC5031-0750-8.00	8.00"	1.929"	0.750"	0.3125"
NC5031-1000-8.00	8.00"	2.382"	1.000"	0.375"
NC5031-1500-8.00	8.00"	3.799"	1.500"	0.625"
NC50F1-2500-2.95	2.95"	5.000"	2.500"	1.000"

**Taper Plus - BT30**

Part Number	L	C	D	Drive Key (W)
NB3001-0750-1.19	1.19"	1.929"	0.750"	0.3125"
NB3001-1000-1.19	1.19"	2.382"	1.000"	0.375"



Replacement Keys  
Page 147



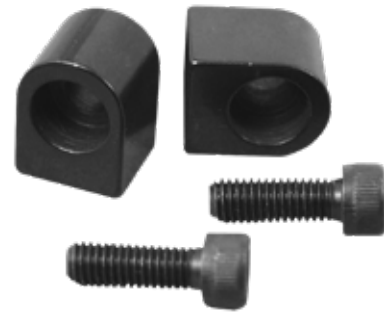
Replacement Arbor Screws  
Page 147

## Shell Mill Holder Accessories



### Replacement Keys

Part Number	Description	To Use with Holder Size
1/2-KEYSET	1/4" rotating pins (2 Pcs.)	1/2"
3/4-KEYSET	5/16" keys with screws (2 Pcs.)	3/4"
1-KEYSET	3/8" keys with screws (2 Pcs.)	1"
1-1/4-KEYSET	1/2" keys with screws (2 Pcs.)	1-1/4"
1-1/2-KEYSET	5/8" keys with screws (2 Pcs.)	1-1/2"
2-KEYSET	3/4" keys with screws (2 Pcs.)	2"
2-1/2-KEYSET	1" keys with screws (2 Pcs.)	2-1/2"
22-KEYSET	10mm keys with screws (2 Pcs.)	22mm
27-KEYSET	12mm keys with screws (2 Pcs.)	27mm
32-KEYSET	14mm keys with screws (2 Pcs.)	32mm
40-KEYSET	16mm keys with screws (2 Pcs.)	40mm



### Replacement Arbor Screws

Part Number	Head Diameter	Head Thickness	For the Following Shell/ Face Mill Sizes
A5/8-11	23.65mm (0.931")	15.7mm (0.618")	Face Mill Mounting Bolt
A1/4-28	17mm (0.669")	6mm (0.236")	1/2"
A1/4-28SL*	17mm (0.669")	6mm (0.236")	1/2"
A3/8-24	23.5mm (0.925")	8mm (0.315")	3/4"
A3/8-24SL*	23.5mm (0.925")	8mm (0.315")	3/4"
A1/2-20	31mm (1.220")	9.5mm (0.374")	1"
A1/2-20SL*	31mm (1.220")	9.5mm (0.374")	1"
A5/8-18	41mm (1.614")	11mm (0.433")	1-1/4"
A5/8-18SL*	41mm (1.614")	11mm (0.433")	1-1/4"
A3/4-16	49mm (1.929")	12.7mm (0.500")	1-1/2"
A3/4-16SL*	49mm (1.929")	12.7mm (0.500")	1-1/2"
A1-14	68mm (2.677")	18mm (0.709")	2"
A1-14SL*	68mm (2.677")	18mm (0.709")	2"
A10mm-P1.5	16mm (0.630")	10mm (0.394")	22.0mm
A12mm-P1.75	18mm (0.709")	12mm (0.472")	27.0mm
A16mm-P2	24mm (0.945")	16mm (0.630")	32.0mm
A20mm-P2.5	30mm (1.181")	20mm (0.787")	40.0mm



Note: \*"SL" denotes a Slotted Arbor Screw.

### Coolant Tube Wrench for HSK Holders

Part Number	Description
HSK40-WRENCH	Wrench for HSK40 Coolant Tube
HSK63-WRENCH	Wrench for HSK63 Coolant Tube
HSK100-WRENCH	Wrench for HSK100 Coolant Tube

Coolant tube wrenches are needed to remove or install coolant tubes in HSK toolholders



### Coolant Tube for HSK Holders

Part Number	Description
HSK40-TUBE	HSK40 Coolant Tube
HSK63-TUBE	HSK63 Coolant Tube
HSK100-TUBE	HSK100 Coolant Tube



# HIGH PERFORMANCE LIVE TOOLS

**LYNDEX  
NIKKEN**  
PRECISION FIRST

**A COMPLETE LINE OF STATIC  
AND LIVE TOOLING FOR DMG MORI,  
MAZAK, OKUMA AND MORE -  
IN STOCK!**

## What makes our Live Tools Unique?

### DESIGN AND ENGINEERING

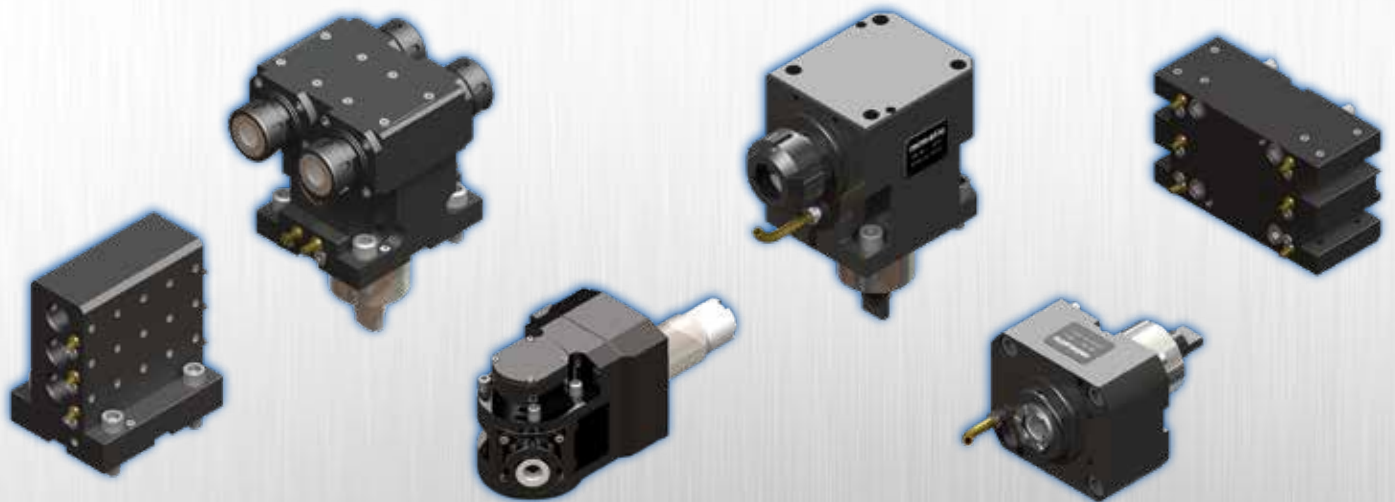
- Nickel Chrome Molybdenum body
- Ground features to ensure optimal concentricity
- ABEC 7 angular contact bearings for highest run-out precision
- Run-out guarantee of under 5 micron repeatability at collet nose

### Gears for Stability

- Hand-matched gears for minimal backlash
- Spiral bevel gears maximizes drive torque
- Optimal bearing placement for balanced torque stress

### Protective Seals

- Labyrinth Seals with unique multi-barrier construction prevent contaminants from entering the main chamber



Phone: (847) 367-4800



Email: [sales@lyndexnikken.com](mailto:sales@lyndexnikken.com)



[www.lyndexnikken.com](http://www.lyndexnikken.com)

Connect with us on our  
social media channels!





**DRILL CHUCKS AND  
MORSE TAPER HOLDERS**



## Drill Chucks Features

### High-Precision, high-rigidity, compact design

Our Drill Chucks feature a unique compact design and small head which prevent the drill from slipping during drilling operations.

- Balanced to 12,000 RPM
- Coolant-thru capable
- Short compact two-pieces design for flexible replacement of head only
- Maintenance free

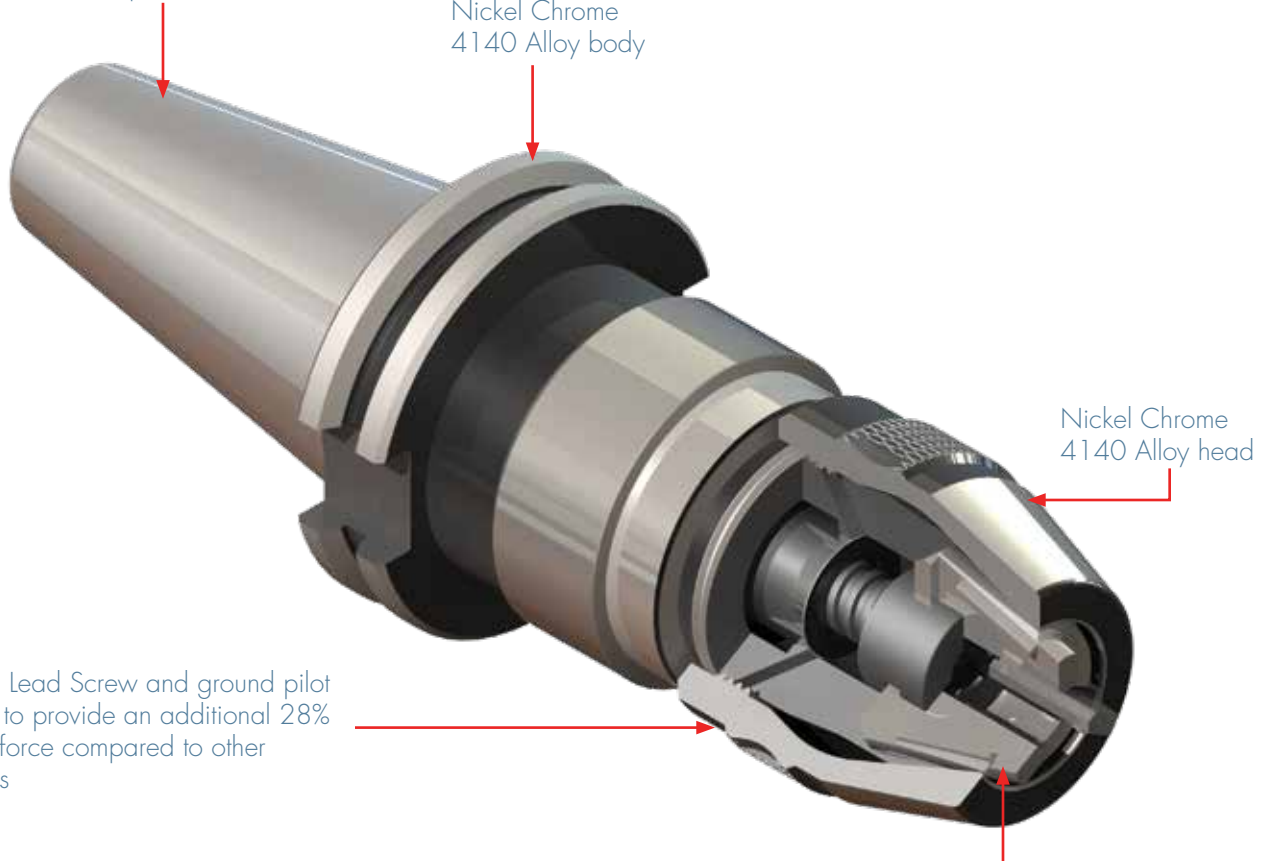
Taper ground to AT3 or better to ensure 80% taper contact

Nickel Chrome  
4140 Alloy body

Nickel Chrome  
4140 Alloy head

Hardened Lead Screw and ground pilot contribute to provide an additional 28% clamping force compared to other drill chucks

Nickel Chrome Molybdenum Ground  
4340 alloy jaws hardened to 60Rc





## CAT and BT Integral Keyless Drill Chucks



**Speed:** up to 12,000 RPM



Drilling



**Set-up:** quick and easy



Reaming



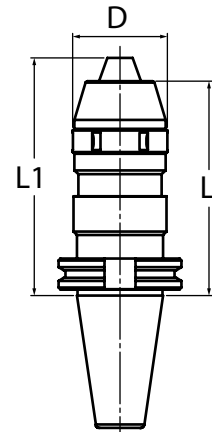
**Coolant-Thru:** available

- Compact design and small head prevent drill slippage during operation
- Balanced to 12,000 RPM
- Coolant-thru capable

Please note that the maximum RPM listed in our catalog may vary depending on the toolholder shank, weight, balanceability and the G rating.

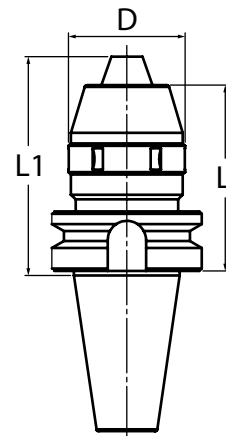
### CAT40/50 Taper

Part Number	Taper	Capacity	L	L1	D
CAT40-NPU8-80U	CT40	5/16" (8.0mm)	3.40"	3.68"	1.36"
CAT50-NPU8-80U	CT50	5/16" (8.0mm)	3.25"	3.52"	1.36"
CAT50-NPU13-90U-IDU	CT50	1/2" (13.0mm)	3.26"	3.54"	1.81"



### BT30/40/50 Taper

Part Number	Taper	Capacity	L	L1	D
BT30-NPU8-70	BT30	5/16" (8.0mm)	3.01"	3.29"	1.36"
BT30-NPU13-95	BT30	1/2" (13.0mm)	4.02"	4.45"	1.81"
BT40-NPU8-70	BT40	5/16" (8.0mm)	3.01"	3.29"	1.36"
BT40-NPU13-80	BT40	1/2" (13.0mm)	3.39"	3.82"	1.81"
BT50-NPU13-90	BT50	1/2" (13.0mm)	3.82"	4.26"	1.81"



## NMTB, HSK and Straight Shank

Drill/Morse

- Compact design and small head prevent drill slippage during operation
- Balanced to 12,000 RPM
- Coolant-thru capable



**Speed:** up to 12,000 RPM



**Set-up:** quick and easy



**Coolant-Thru:** available



Drilling

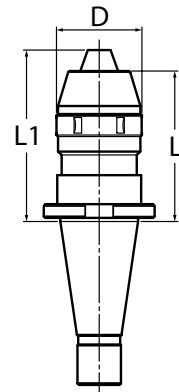


Reaming

Please note that the maximum RPM listed in our catalog may vary depending on the toolholder shank, weight, balanceability and the G rating.

### NMTB40/50

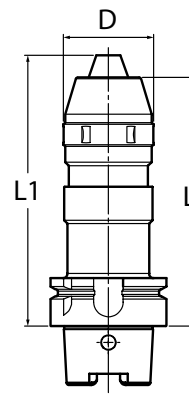
Part Number	Taper	Capacity	L	L1	D
NMTB40-NPU8-76	NMTB40	5/16" (8.0mm)	3.25"	3.52"	1.36"
NMTB40-NPU13-86	NMTB40	1/2" (13.0mm)	3.62"	4.06"	1.81"
NMTB50-NPU13-86	NMTB50	1/2" (13.0mm)	3.62"	4.06"	1.81"



### HSK40A/100A

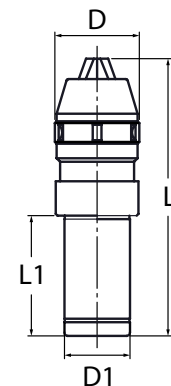
Part Number	Taper	Capacity	L	L1	D
HSK40A-NPU8-114	HSK40A	0-5/16" (0-8.0mm)	4.48"	4.76"	1.52"
HSK100A-NPU13C-145	HSK100A	1/2" (13.0mm)	5.98"	6.42"	1.81"

Note: Coolant Tubes and Coolant Tube Wrenches are sold separately. See page 153 for more details.



### Straight Shank

Part Number	Capacity	D	D1	L	L1
D1.1/4-NPU13-6.23	3/32-1/2" (2-13.0mm)	1.92"	1.1/4"	6.23"	2.44"
D1.1/2-NPU13-6.35	3/32-1/2" (2-13.0mm)	1.92"	1.1/2"	6.35"	2.75"



## Drill Chuck Accessories

### Replacement Wrench for Drill Chuck

Part Number	Description
NPU8-SPAN	Fits 5/16" (8.0mm) Chucks
NPU13-SPAN	Fits 1/2" (13.0mm) Chucks



Drill/Morse

### Replacement Drill Chuck

Part Number	Description
9NPU-8	Replacement 1/4" Chuck
9NPU-13	Replacement 1/2" Chuck



### Coolant Tube Wrench for HSK Holders

Part Number	Description
HSK40-WRENCH	Wrench for HSK40 Coolant Tube
HSK100-WRENCH	Wrench for HSK100 Coolant Tube



### Coolant Tube for HSK Holders

Part Number	Description
HSK40-TUBE	Coolant Tube for HSK40 Holders
HSK100-TUBE	Coolant Tube for HSK100 Holders

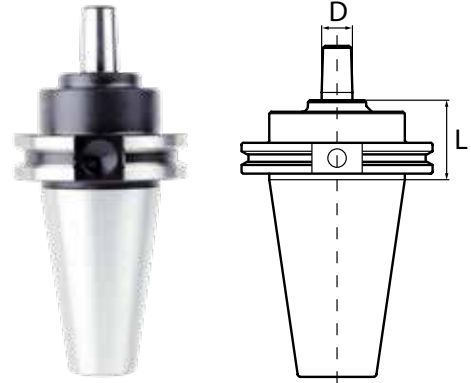


## CAT and BT Jacobs® Taper Holders

Drill/Morse

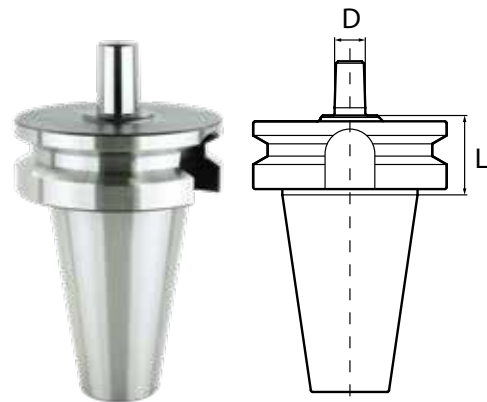
### CAT40/50

Part Number	Taper	JT Size	L	D
C4003-0002-1.61	CT40	JT#2	1.61"	0.560"
C4003-0003-1.58	CT40	JT#3	1.58"	0.812"
C4003-0004-1.49	CT40	JT#4	1.49"	1.13"
C4003-0006-1.61	CT40	JT#6	1.61"	0.677"
C4003-0033-1.61	CT40	JT#33	1.61"	0.625"
C5003-0003-1.58	CT50	JT#3	1.58"	0.812"
C5003-0004-1.49	CT50	JT#4	1.49"	1.13"
C5003-0006-1.61	CT50	JT#6	1.61"	0.677"
C5003-0033-1.61	CT50	JT#33	1.61"	0.625"



### BT40

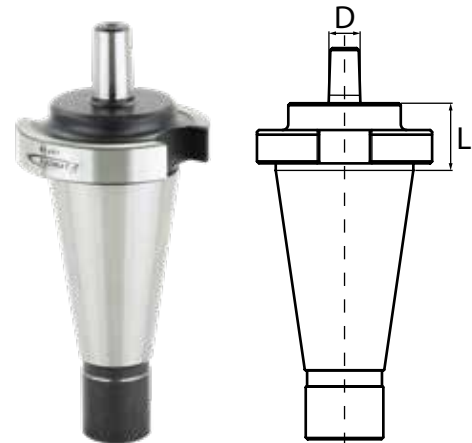
Part Number	Taper	JT Size	L	D
B4003-0002-1.61	BT40	JT#2	1.61"	0.560"
B4003-0033-1.61	BT40	JT#33	1.61"	0.625"



## NMTB and R8 Jacobs® Taper Holders

### NMTB40

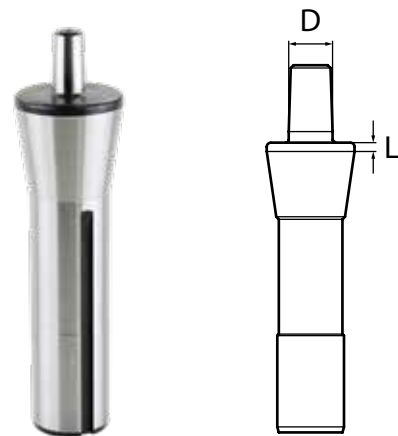
Part Number	Taper	JT Size	L	D
N4003-0002-0.65	NMTB40	JT#2	0.65"	0.560"
N4003-0003-0.61	NMTB40	JT#3	0.61"	0.812"
N4003-0033-0.65	NMTB40	JT#33	0.65"	0.625"



Drill/Morse

### R8

Part Number	Taper	JT Size	L	D
870-001-0.13	R8	JT#1	0.13"	0.385"
870-002-0.13	R8	JT#2	0.13"	0.560"
870-003-0.13	R8	JT#3	0.13"	0.812"
870-006-0.13	R8	JT#6	0.13"	0.677"
870-033-0.13	R8	JT#33	0.13"	0.625"



## Jacobs® Drill Chuck Accessories

Drill/Morse

### Jacobs® Brand Drill Chuck

Part Number	Style	Jacobs® Taper Size	Description
8-1/2N	0 - 1/4"	JT#2	Heavy Duty Ball Bearing Chuck
100-J2	0 - 3/8"	JT#2	High Precision Keyless Chuck
100-J33	0 - 3/8"	JT#33	High Precision Keyless Chuck
11N	0 - 3/8"	JT#2	Heavy Duty Ball Bearing Chuck
130-J2	1/32 - 1/2"	JT#2	High Precision Keyless Chuck
130-J33	1/32 - 1/2"	JT#33	High Precision Keyless Chuck
130-J6	1/32 - 1/2"	JT#6	High Precision Keyless Chuck
130-JT33	1/32 - 1/2"	JT#33	High Precision High Torque Keyless Chuck
130-JT6	1/32 - 1/2"	JT#6	High Precision High Torque Keyless Chuck
14N	0 - 1/2"	JT#3	Heavy Duty Ball Bearing Chuck
160-J6	1/8 - 5/8"	JT#6	High Precision Keyless Chuck
160-JT6	1/8 - 5/8"	JT#6	High Precision High Torque Keyless Chuck
16N	1/8 - 5/8"	JT#3	Heavy Duty Ball Bearing Chuck
18N	1/8 - 3/4"	JT#4	Heavy Duty Ball Bearing Chuck
34-02	0 - 1/2"	JT#2	Heavy Duty Plain Bearing Chuck
34-06	0 - 1/2"	JT#6	Heavy Duty Plain Bearing Chuck
34-33	0 - 1/2"	JT#33	Heavy Duty Plain Bearing Chuck



### Replacement Key

Part Number	Description
K-3	Key for Plain Bearing Chuck



## CAT Morse Taper Holders



**T.I.R.:** minimal



Drilling



**Set-up:** quick and easy



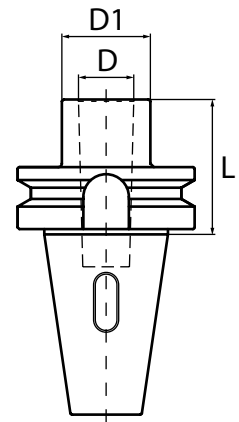
Reaming



**Coolant-Thru:** available

### CAT40/50

Part Number	Taper	Size	L	D	D1
C4004-0002-2.36	CT40	MT#2	2.36"	0.700"	1.25"
C4004-0003-3.00	CT40	MT#3	3.00"	0.938"	1.57"
C4004-0004-3.54	CT40	MT#4	3.54"	1.23"	1.97"
C5004-0002-1.75	CT50	MT#2	1.75"	0.700"	1.25"
C5004-0003-1.75	CT50	MT#3	1.75"	0.938"	1.57"
C5004-0004-3.00	CT50	MT#4	3.00"	1.23"	1.97"
C5004-0005-4.13	CT50	MT#5	4.13"	1.75"	2.75"



**NMTB and R8 Morse Taper Holders**



**T.I.R.:** minimal



**Set-up:** quick and easy



**Coolant-Thru:** available



Drilling

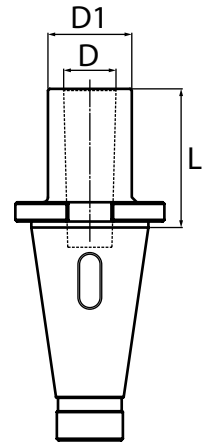


Reaming

Drill/Morse

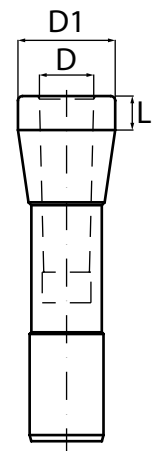
**NMTB40**

Part Number	Taper	Size	L	D	D1
N4004-0001-0.94	NMTB40	MT#1	0.94"	0.48"	1.00"
N4004-0002-1.75	NMTB40	MT#2	1.75"	0.70"	1.25"
N4004-0003-2.25	NMTB40	MT#3	2.25"	0.94"	1.57"
N4004-0004-3.00	NMTB40	MT#4	3.00"	1.23"	1.97"



**R8**

Part Number	Taper	Size	L	D	D1
840-002-0.44	R8	MT#2	0.44"	0.70"	1.25"
840-003-2.56	R8	MT#3	2.56"	0.94"	1.57"







## Tap Holders

Our Tapping systems include tension-compression and rigid holders in all tapers and shanks. Coolant-thru available for both tension-compression and rigid style holders.

### Rigid Tap Holders

- Excellent for fast tapping on synchronous cycles
- Made to fit all Bilz Standard style tap collets
- Quick and easy interchangeability of tap collets
- Retention balls and drive keys provide higher positioning accuracy and stronger gripping force, reducing the possibility of tap slippage

#### Coolant-Thru Type

- Sealed internal mechanism allows high pressure center thru coolant to flow without contaminating the internal components
- Chambered design also prevents back-flow of coolant back into the spindle at high pressure
- Maximum pressure is 750 psi



### Tension Compression Tap Holders

- Adaptive with all Bilz tap system sizes.
- Will compensate for the machine spindle over rotating, tap elongation or minor mismatching between rotation and feed.
- Spring tension (downward pressure) will help lead and engage the tap for consistent and on size tapped holes.
- Tension Compression holders assure accuracy and control to make sure the hole is tapped exactly on the pitch of the tap. This is extremely beneficial when tapping critical hole threads with 2B and 3B dimensional call outs.
- Quick and easy interchangeability of tap collets, repeatable within .008" positioning accuracy.
- Retention balls and drive keys provide higher positioning accuracy and stronger gripping force reducing the possibility of tap slippage.

#### Coolant-Thru Type

- Sealed internal mechanism allows high pressure center thru coolant to flow without contaminating the internal components.
- Chambered design also prevents back-flow of coolant into the spindle at higher pressures.
- Maximum pressure is 500 psi.

## CAT Tap Holders



**T.I.R.:** minimal



Tapping



**Speed:** up to 5,000 RPM



**Set-up:** quick and easy



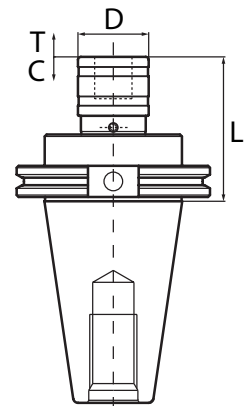
**Coolant-Thru:** thru-tap coolant

- Made to fit all Bilz standard style tap collets
- Quick and easy interchangeability of tap collets
- Retention balls and drive keys provide higher positioning accuracy and stronger gripping force, reducing the possibility of tap slippage

Please note that the maximum RPM listed in our catalog may vary depending on the toolholder shank, weight, balanceability and the G rating.

### CAT40/50 Tension/Compression Tap Holders

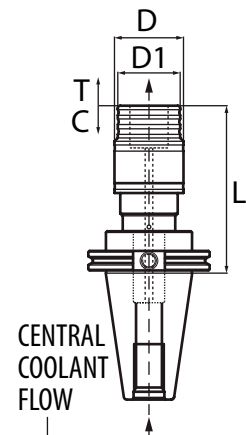
Part Number	Taper	Tap Range		System	L	D	T	C
		Hand	Pipe					
C40S5-0562-2.93	CT40	#0-9/16"	1/8"	#1	2.93"	1.43"	0.29"	0.29"
C4005-0562-4.47	CT40	#0-9/16"	1/8"	#1	4.47"	1.25"	0.79"	0.39"
C40S5-0875-3.90	CT40	5/16-7/8"	1/4-1/2"	#2	3.90"	2.09"	0.49"	0.49"
C4005-0875-6.66	CT40	5/16-7/8"	1/4-1/2"	#2	6.66"	2.00"	0.85"	0.49"
C50S5-0562-2.93	CT50	#0-9/16"	1/8"	#1	2.93"	1.43"	0.29"	0.29"
C5005-0562-5.02	CT50	#0-9/16"	1/8"	#1	5.02"	1.25"	0.79"	0.39"
C50S5-0875-3.90	CT50	5/16-7/8"	1/4-1/2"	#2	3.90"	2.09"	0.49"	0.49"
C5005-0875-5.66	CT50	5/16-7/8"	1/4-1/2"	#2	5.66"	2.00"	0.85"	0.49"
C50S5-1375-5.75	CT50	13/16-1-3/8"	1/2-1"	#3	5.75"	3.07"	0.79"	0.79"
C5005-1375-7.72	CT50	13/16-1-3/8"	1/2-1"	#3	7.72"	2.87"	0.98"	0.59"



### CAT40/50 Tension/Compression Tap Holders - Coolant-Thru

Part Number	Taper	Tap Range		System	L	D	D1	T	C
		Hand	Pipe						
C4005-0562-3.98(C)	CT40	#0-9/16"	1/8"	#1	3.98"	1.57"	1.28"	0.27"	0.12"
C5005-0562-3.98(C)	CT50	#0-9/16"	1/8"	#1	3.98"	1.57"	1.28"	0.27"	0.12"
C5005-0875-5.39(C)	CT50	5/16-7/8"	1/4-1/2"	#2	5.39"	2.20"	1.99"	0.39"	0.20"

Note: Maximum pressure is 500 psi.



Tap Collets  
Pages 168-179



Tap Spanner Wrench  
Page 180



Tool Jaw  
Page 234

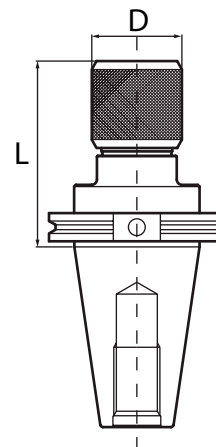
## CAT Tap Holders

### CAT40/50 Rigid Tap Holders

Part Number	Taper	Tap Range		System	L	D
		Hand	Pipe			
C40R5-0562-3.02	CT40	#0-9/16"	1/8"	#1	3.02"	1.25"
C40R5-0875-3.66	CT40	5/16-7/8"	1/4-1/2"	#2	3.66"	2.00"
C40R5-1375-4.72	CT40	13/16-1-3/8"	1/2-1"	#3	4.72"	2.87"
C50R5-0562-3.02	CT50	#0-9/16"	1/8"	#1	3.02"	1.25"
C50R5-0875-3.91	CT50	5/16-7/8"	1/4-1/2"	#2	3.91"	2.00"

Note:

- These holders are designed for use with synchronized machining centers.
- These holders have no tension or compression.

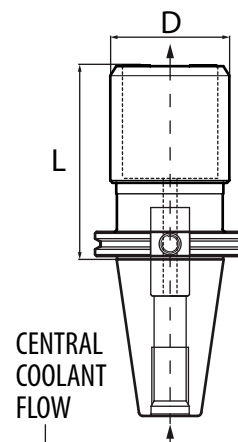


### CAT40/50 Rigid Tap Holders - Coolant-Thru

Part Number	Taper	Tap Range		System	L	D
		Hand	Pipe			
C40R5-0562-2.87(C)	CT40	#0-9/16"	1/8"	#1	2.87"	1.26"
C40R5-0875-3.50(C)	CT40	5/16-7/8"	1/4-1/2"	#2	3.50"	1.97"
C50R5-0562-2.87(C)	CT50	#0-9/16"	1/8"	#1	2.87"	1.26"
C50R5-0875-3.50(C)	CT50	5/16-7/8"	1/4-1/2"	#2	3.50"	1.97"
C50R5-1375-5.00(C)	CT50	13/16-1-3/8"	1/2-1"	#3	5.00"	2.83"

Note:

- These holders are designed for use with synchronized machining centers.
- These holders have no tension or compression.
- Maximum pressure is 750 psi.



## BT Tap Holders



**T.I.R.:** minimal



Tapping



**Speed:** up to 5,000 RPM



**Set-up:** quick and easy



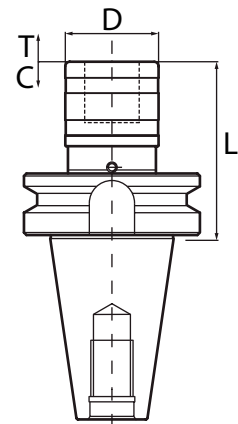
**Coolant-Thru:** thru-tap coolant

- Made to fit all Bilz standard style tap collets
- Quick and easy interchangeability of tap collets
- Retention balls and drive keys provide higher positioning accuracy and stronger gripping force, reducing the possibility of tap slippage

Please note that the maximum RPM listed in our catalog may vary depending on the toolholder shank, weight, balanceability and the G rating.

### BT30/40 Tension/Compression Tap Holders

Part Number	Taper	Tap Range		System	L	D	T	C
		Hand	Pipe					
B30S5-0562-2.40	BT30	#0-9/16"	1/8"	#1	2.40"	1.43"	0.29"	0.29"
B40S5-0562-2.62	BT40	#0-9/16"	1/8"	#1	2.62"	1.43"	0.29"	0.29"
B4005-0562-4.33	BT40	#0-9/16"	1/8"	#1	4.33"	1.25"	0.79"	0.39"

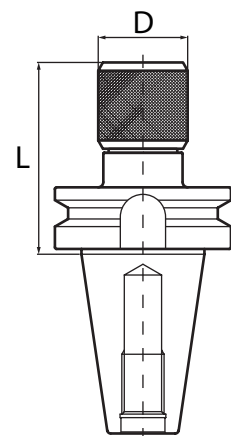


### BT30/40 Rigid Tap Holders

Part Number	Taper	Tap Range		System	L	D
		Hand	Pipe			
B30R5-0562-2.44	BT30	#0-9/16"	1/8"	#1	2.44"	1.25"
B40R5-0562-3.02	BT40	#0-9/16"	1/8"	#1	3.02"	1.25"

Note:

- These holders are designed for use with synchronized machining centers.
- These holders have no tension or compression.



Tap Collets  
Pages 168-179



Tap Spanner Wrench  
Page 180



Tool Jaw  
Page 234

## HSK Tap Holders

- Made to fit all Bilz standard style tap collets
- Quick and easy interchangeability of tap collets
- Retention balls and drive keys provide higher positioning accuracy and stronger gripping force, reducing the possibility of tap slippage



**T.I.R.:** minimal



Tapping



**Speed:** up to 5,000 RPM



**Set-up:** quick and easy



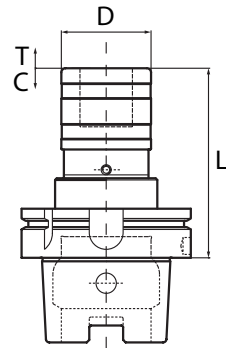
**Coolant-Thru:** thru-tap coolant

Please note that the maximum RPM listed in our catalog may vary depending on the toolholder shank, weight, balanceability and the G rating.

### HSK63A Tension/Compression Tap Holders - Coolant-Thru

Part Number	Tap Range		System	L	D	T	C
	Hand	Pipe					
HSK63A-TC0562-3.98C	#0-9/16"	1/8"	#1	3.98"	1.57"	0.29"	0.29"

Note: Coolant tube and coolant tube wrench are not included. See page 180 for more details.



## Weldon Tap Holders



**T.I.R.:** minimal



Tapping



**Speed:** up to 5,000 RPM



**Set-up:** quick and easy



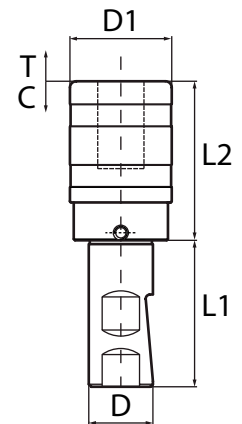
**Coolant-Thru:** thru-tap coolant

- Made to fit all Bilz standard style tap collets
- Quick and easy interchangeability of tap collets
- Retention balls and drive keys provide higher positioning accuracy and stronger gripping force, reducing the possibility of tap slippage

Please note that the maximum RPM listed in our catalog may vary depending on the toolholder shank, weight, balanceability and the G rating.

### Weldon Shank Tension/Compression Tap Holders

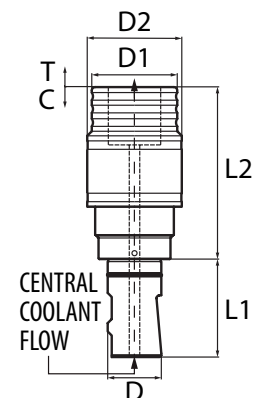
Part Number	Tap Range		System	D	D1	L1	L2	T	C
	Hand	Pipe							
W7505-0562-6.36	#0-9/16"	1/8"	#1	3/4"	1.25"	2.03"	4.33"	0.79"	0.39"
W1005-0562-6.41	#0-9/16"	1/8"	#1	1"	1.25"	2.28"	4.13"	0.79"	0.39"
W1055-0562-3.81	#0-9/16"	1/8"	#1	1"	1.43"	2.28"	1.53"	0.29"	0.29"
W1055-0875-4.76	5/16-7/8"	1/4-1/2"	#2	1"	2.09"	2.28"	2.48"	0.49"	0.49"
W1505-1375-10.5	13/16-1-3/8"	1/2-1"	#3	1-1/2"	2.87"	2.69"	7.81"	0.98"	0.59"
W1555-1375-6.55	13/16-1-3/8"	1/2-1"	#3	1-1/2"	3.07"	2.69"	3.86"	0.79"	0.79"



### Weldon Shank Tension/Compression Tap Holders - Coolant-Thru

Part Number	Tap Range		System	D	D1	D2	L1	L2	T	C
	Hand	Pipe								
W1005-0562-4.88(C)	#0-9/16"	1/8"	#1	1"	1.29"	1.57"	2.28"	2.60"	0.27"	0.12"
W1005-0875-6.3(C)	5/16-7/8"	1/4-1/2"	#2	1"	1.99"	2.20"	2.28"	4.02"	0.39"	0.20"

Note: Maximum pressure is 500 psi.



Tap Collets  
Pages 168-179



Tap Spanner Wrench  
Page 180

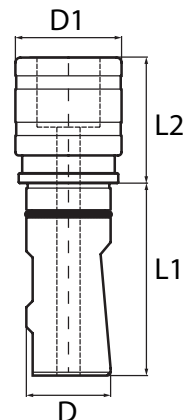
## Weldon Tap Holders

### Weldon Shank Rigid Tap Holders

Part Number	Tap Range		System	D	D1	L1	L2
	Hand	Pipe					
W10R5-0562-3.74	#0-9/16"	1/8"	#1	1"	1.26"	2.28"	1.46"
W10R5-0875-4.4	5/16-7/8"	1/4-1/2"	#2	1"	1.97"	2.28"	2.12"

Note:

- These holders are designed for use with synchronized machining centers.
- These holders have no tension or compression.

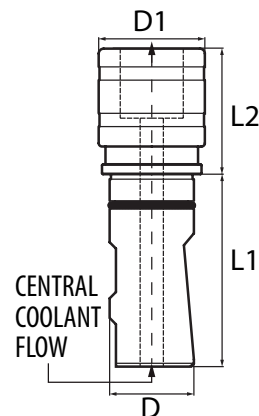


### Weldon Shank Rigid Tap Holders - Coolant-Thru

Part Number	Tap Range		System	D	D1	L1	L2
	Hand	Pipe					
W75R5-0562-3.49(C)	#0-9/16"	1/8"	#1	3/4"	1.26"	2.03"	1.46"
W10R5-0562-3.77(C)	#0-9/16"	1/8"	#1	1"	1.26"	2.28"	1.49"

Note:

- These holders are designed for use with synchronized machining centers.
- These holders have no tension or compression.
- Maximum pressure is 750 psi.





## NMTB and Straight Shank Tap Holders



**T.I.R.:** minimal



Tapping



**Speed:** up to 5,000 RPM



**Set-up:** quick and easy



**Coolant-Thru:** thru-tap coolant

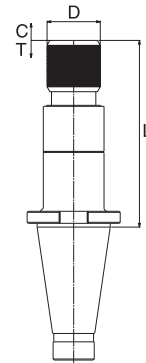
- Made to fit all Bilz standard style tap collets
- Quick and easy interchangeability of tap collets
- Retention balls and drive keys provide higher positioning accuracy and stronger gripping force, reducing the possibility of tap slippage

Please note that the maximum RPM listed in our catalog may vary depending on the toolholder shank, weight, balanceability and the G rating.

### NMTB40 Tension/Compression Tap Holders

Part Number	Tap Range		System	L	D	T	C
	Hand	Pipe					
N4005-0562-3.90	#0-9/16"	1/8"	#1	3.90"	1.25"	0.79"	0.39"

Note: All NMTB toolholders flanges are qualified for use with Erickson Quick Change spindles.

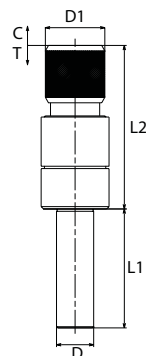


### Straight Shank Tension/Compression Tap Holders

Part Number	Tap Range		System	D	D1	L1	L2	T	C
	Hand	Pipe							
S1005-0562-7.63	#0-9/16"	1/8"	#1	1"	1.25"	3.50"	4.13"	0.79"	0.39"
S1005-0875-9.05	5/16-7/8"	1/4-1/2"	#2	1"	2.00"	3.50"	5.55"	0.85"	0.49"

Note: Straight Shank tooling may be used to extend tooling reach for extended length operations.

- This option is less costly than extended length integral shank tooling.
- They may be used with any size machining center or lathe.
- When loaded into larger holders, their reduced O.D. permits tapping applications within large holes or whenever tight clearances are encountered.



Tap Collets  
Pages 168-179



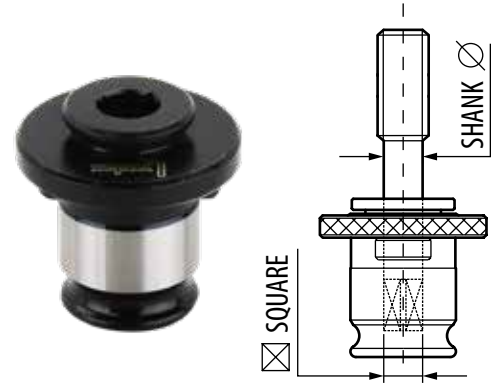
Tap Spanner Wrench  
Page 180

## Tap Collets

### Positive Drive Tap Collets - U.S. Standard

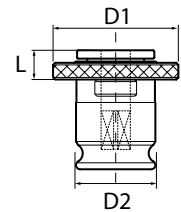
Standard collets are used for standard and coolant-thru tap holders, maximum 750 psi.

Part Number	System	Tap Size	Tap Shank ø	Drive Square ☒
NT05-006	#1	#0-6	0.141"	0.110"
NT05-008	#1	#8	0.168"	0.131"
NT05-010	#1	#10, 3/16"	0.194"	0.152"
NT05-012	#1	#12	0.220"	0.165"
NT05-016	#1	1/4"	0.255"	0.191"
NT05-020	#1	5/16"	0.318"	0.238"
NT05-024	#1	3/8"	0.381"	0.286"
NT05-028	#1	7/16"	0.323"	0.242"
NT05-032	#1	1/2"	0.367"	0.275"
NT05-036	#1	9/16"	0.429"	0.322"
NT10-020	#2	5/16"	0.318"	0.238"
NT10-024	#2	3/8"	0.381"	0.286"
NT10-028	#2	7/16"	0.323"	0.242"
NT10-032	#2	1/2"	0.367"	0.275"
NT10-036	#2	9/16"	0.429"	0.322"
NT10-040	#2	5/8"	0.480"	0.360"
NT10-044	#2	11/16"	0.542"	0.406"
NT10-048	#2	3/4"	0.590"	0.442"
NT10-052	#2	13/16"	0.652"	0.489"
NT10-056	#2	7/8"	0.697"	0.523"
NT15-052	#3	13/16"	0.652"	0.489"
NT15-056	#3	7/8"	0.697"	0.523"
NT15-060	#3	15/16"	0.760"	0.570"
NT15-064	#3	1"	0.800"	0.600"
NT15-072	#3	1-1/8"	0.896"	0.672"
NT15-080	#3	1-1/4"	1.021"	0.766"
NT15-088	#3	1-3/8"	1.108"	0.831"



### Dimensional Data

System	L	D1	D2
#1	0.27"	1.18"	0.75"
#2	0.43"	1.98"	1.22"
#3	0.55"	2.75"	1.89"



Note: See pages 182-183 for details about dimensions cross over for ANSI, DIN, ISO, JIS Specification Taps.

### Positive Drive Tap Collet Sets

Part Number	Description
NT05-SET-10	10 Piece System #1 Positive Drive Tap Collet Set: 0-9/16" hand
NT10-SET-10	10 Piece System #2 Positive Drive Tap Collet Set: 5/16" - 7/8" hand
NT15-SET-07	7 Piece System #3 Positive Drive Tap Collet Set: 13/16" - 1-3/8" hand

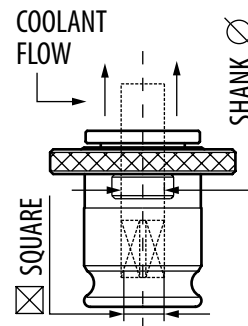


## Tap Collets

### Positive Drive Tap Collets - Slotted

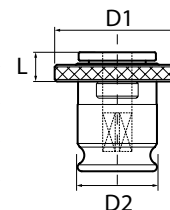
Slotted collets are designed for use with standard taps for coolant along the flute.

Part Number	System	Tap Size	Tap Shank ∅	Drive Square ☒
NT05-006(S)	#1	#0-6	0.141"	0.110"
NT05-008(S)	#1	#8	0.168"	0.131"
NT05-010(S)	#1	#10, 3/16"	0.194"	0.152"
NT05-012(S)	#1	#12	0.220"	0.165"
NT05-016(S)	#1	1/4"	0.255"	0.191"
NT05-020(S)	#1	5/16"	0.318"	0.238"
NT05-024(S)	#1	3/8"	0.381"	0.286"
NT05-028(S)	#1	7/16"	0.323"	0.242"
NT05-032(S)	#1	1/2"	0.367"	0.275"
NT05-036(S)	#1	9/16"	0.429"	0.322"
NT10-020(S)	#2	5/16"	0.318"	0.238"
NT10-024(S)	#2	3/8"	0.381"	0.286"
NT10-028(S)	#2	7/16"	0.323"	0.242"
NT10-032(S)	#2	1/2"	0.367"	0.275"
NT10-036(S)	#2	9/16"	0.429"	0.322"
NT10-040(S)	#2	5/8"	0.480"	0.360"
NT10-044(S)	#2	11/16"	0.542"	0.406"
NT10-048(S)	#2	3/4"	0.590"	0.442"
NT10-052(S)	#2	13/16"	0.652"	0.489"
NT10-056(S)	#2	7/8"	0.697"	0.523"
NT15-052(S)	#3	13/16"	0.652"	0.489"
NT15-056(S)	#3	7/8"	0.697"	0.523"
NT15-060(S)	#3	15/16"	0.760"	0.570"
NT15-064(S)	#3	1"	0.800"	0.600"
NT15-072(S)	#3	1-1/8"	0.896"	0.672"
NT15-080(S)	#3	1-1/4"	1.021"	0.766"
NT15-088(S)	#3	1-3/8"	1.108"	0.831"



### Dimensional Data

System	L	D1	D2
#1	0.27"	1.18"	0.75"
#2	0.43"	1.98"	1.22"
#3	0.55"	2.75"	1.89"



Note: See pages 182-182 for details about dimensions cross over for ANSI, DIN, ISO, JIS Specification Taps.

## Tap Collets

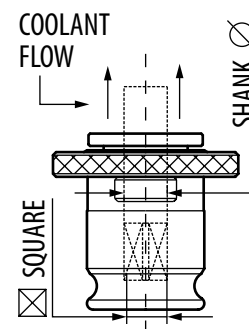
### Positive Drive Pipe Tap Collets - U.S. Standard

Part Number	System	Tap Size	Tap Shank ∅	Drive Square ☒
NTPT05-008S	#1	1/8"S	0.313"	0.234"
NTPT05-008L	#1	1/8"L	0.437"	0.328"
NTPT10-016	#2	1/4"	0.562"	0.421"
NTPT10-024	#2	3/8"	0.700"	0.531"
NTPT10-032	#2	1/2"	0.687"	0.515"
NTPT15-032	#3	1/2"	0.687"	0.515"
NTPT15-048	#3	3/4"	0.906"	0.679"
NTPT15-064	#3	1"	1.125"	0.843"



### Positive Drive Pipe Tap Collets - Slotted

Part Number	System	Tap Size	Tap Shank ∅	Drive Square ☒
NTPT05-008S(S)	#1	sm 1/8"	0.313"	0.234"
NTPT05-008L(S)	#1	lg 1/8"	0.437"	0.328"
NTPT10-016(S)	#2	1/4"	0.562"	0.421"
NTPT10-024(S)	#2	3/8"	0.700"	0.531"
NTPT10-032(S)	#2	1/2"	0.687"	0.515"
NTPT15-032(S)	#3	1/2"	0.687"	0.515"
NTPT15-048(S)	#3	3/4"	0.906"	0.679"
NTPT15-064(S)	#3	1/2"	1.125"	0.843"

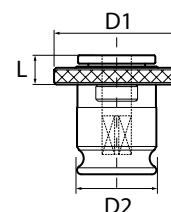


### Positive Drive Pipe Tap Collet Sets

Part Number	Description
NTP05-SET-12	12 Piece System #1 Positive Drive Tap Collet Set: 0 - 9/16" hand and 1/8" pipe
NTPT10-SET-13	13 Piece System #2 Positive Drive Tap Collet Set: 5/16" - 1" hand and 1/4" - 1/22" pipe
NTP15-SET-10	10 Piece System #3 Positive Drive Tap Collet Set: 13/16" - 1-3/8" hand and 1/2" - 1" pipe

### Dimensional Data

System	L	D1	D2
#1	0.27"	1.18"	0.75"
#2	0.43"	1.98"	1.22"
#3	0.55"	2.75"	1.89"



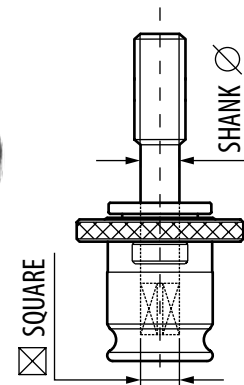
Note: See pages 182-183 for details about dimensions cross over for ANSI, DIN, ISO, JIS Specification Taps.

## Tap Collets

### Positive Drive Tap Collets - ISO Standard

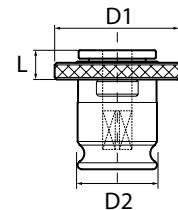
Standard collets are used for standard and coolant-thru tap holders, maximum 750 psi.

Part Number	System	Tap Size	Tap Shank ∅	Drive Square ☒
SE1-2.24X1.8	#1	M3	2.24mm	1.80mm
SE1-2.50X2.0	#1	M3.5, M2	2.50mm	2.00mm
SE1-2.80X2.24	#1	M2.5, M2.2	2.80mm	2.24mm
SE1-3.15X2.50	#1	M4, M3	3.15mm	2.50mm
SE1-3.55X2.80	#1	M4.5, M3.5	3.55mm	2.80mm
SE1-4.0X3.15	#1	M5, M4	4.00mm	3.15mm
SE1-4.5X3.55	#1	M6	4.50mm	3.55mm
SE1-5.0X4.0	#1	M5	5.00mm	4.00mm
SE1-5.6X4.5	#1	M5	5.60mm	4.50mm
SE1-6.3X5.0	#1	M8, M6	6.30mm	5.00mm
SE1-7.1X5.6	#1	M7	7.10mm	5.60mm
SE1-8.0X6.3	#1	M11, M10, M8	8.00mm	6.30mm
SE1-9.0X7.1	#1	M12, M9	9.00mm	7.10mm
SE1-10.0X8.0	#1	M10	10.0mm	8.00mm
SE1-11.2X9.0	#1	M14	11.2mm	9.00mm
SE2-4.0X3.15	#2	M5, M4	4.00mm	3.15mm
SE2-4.5X3.55	#2	M6	4.50mm	3.55mm
SE2-5.0X4.0	#2	M5	5.00mm	4.00mm
SE2-5.6X4.5	#2	M5	5.60mm	4.50mm
SE2-6.3X5.0	#2	M8, M6	6.30mm	5.00mm
SE2-7.1X5.6	#2	M7	7.10mm	5.60mm
SE2-8.0X6.3	#2	M11, M10, M8	8.00mm	6.30mm
SE2-9.0X7.1	#2	M12, M9	9.00mm	7.10mm
SE2-10.0X8.0	#2	M10	10.0mm	8.00mm
SE2-11.2X9.0	#2	M14	11.2mm	9.00mm
SE2-12.5X10.0	#2	M16	12.5mm	10.0mm
SE2-14.0X11.2	#2	M20, M18	14.0mm	11.2mm
SE2-16.0X12.5	#2	M22	16.0mm	12.5mm
SE2-18.0X14.0	#2	M24	18.0mm	14.0mm
SE3-9.0X7.1	#3	M12, M9	9.00mm	7.10mm
SE3-10.0X8.0	#3	M10	10.0mm	8.00mm
SE3-11.2X9.0	#3	M14	11.2mm	9.00mm
SE3-12.5X10.0	#3	M16	12.5mm	10.0mm
SE3-14.0X11.2	#3	M20, M18	14.0mm	11.2mm
SE3-16.0X12.5	#3	M22	16.0mm	12.5mm
SE3-18.0X14.0	#3	M24	18.0mm	14.0mm
SE3-20.0X16.0	#3	M30, M27	20.0mm	16.0mm
SE3-22.4X18.0	#3	M33	22.4mm	18.0mm
SE3-25.0X20.0	#3	M36, M33	25.0mm	20.0mm



### Dimensional Data

System	L	D1	D2
#1	0.27"	1.18"	0.75"
#2	0.43"	1.98"	1.22"
#3	0.55"	2.75"	1.89"



Note: See pages 182-183 for details about dimensions cross over for ANSI, DIN, ISO, JIS Specification Taps.

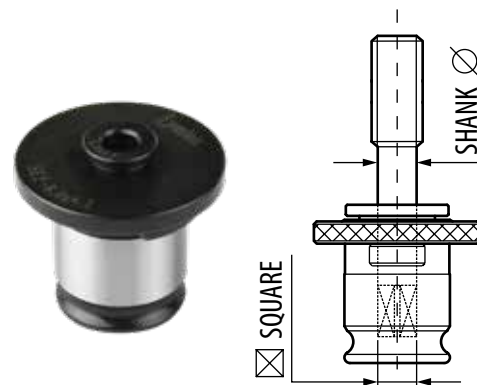


## Tap Collets

### Positive Drive Tap Collets - DIN 371/376 Standard

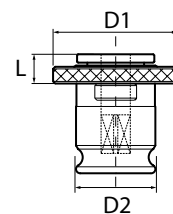
Standard collets are used for standard and coolant-thru tap holders, maximum 750 psi.

Part Number	System	Tap Size	Tap Shank ∅	Drive Square ☒
SE1-2.5X2.1	#1	M1.4, M1.8, M3	2.50mm	2.10mm
SE1-2.8X2.1	#1	M2, M2.2, M2.5, M4	2.80mm	2.10mm
SE1-3.5X2.7	#1	M3, M5	3.50mm	2.70mm
SE1-4.0X3.0	#1	M3.5	4.00mm	3.00mm
SE1-4.5X3.4	#1	M4, M6	4.50mm	3.40mm
SE1-6.0X4.9	#1	M5, M6, M8	6.00mm	4.90mm
SE1-7.0X5.5	#1	M10	7.00mm	5.50mm
SE1-8.0X6.2	#1	M8, M10	8.00mm	6.20mm
SE1-9.0X7.0	#1	M12	9.00mm	7.00mm
SE1-10.0X8.0	#1	M10	10.0mm	8.00mm
SE1-11.0X9.0	#1	M14	11.0mm	9.00mm
SE2-2.8X2.1	#2	M2, M2.2, M2.5, M4	2.80mm	2.10mm
SE2-3.5X2.7	#2	M3, M5	3.50mm	2.70mm
SE2-4.0X3.0	#2	M3.5	4.00mm	3.00mm
SE2-6.0X4.9	#2	M5, M6, M8	6.00mm	4.90mm
SE2-7.0X5.5	#2	M10	7.00mm	5.50mm
SE2-8.0X6.2	#2	M8, M10	8.00mm	6.20mm
SE2-9.0X7.0	#2	M12	9.00mm	7.00mm
SE2-10.0X8.0	#2	M10	10.00mm	8.00mm
SE2-11.0X9.0	#2	M14	11.0mm	9.00mm
SE2-12.0X9.0	#2	M16	12.0mm	9.00mm
SE2-14.0X11.0	#2	M18	14.0mm	11.00mm
SE2-16.0X12.0	#2	M20	16.0mm	12.00mm
SE2-18.0X14.5	#2	M22, M24	18.0mm	14.50mm
SE3-9.0X7.0	#3	M12	9.00mm	7.00mm
SE3-10.0X8.0	#3	M10	10.00mm	8.00mm
SE3-11.0X9.0	#3	M14	11.0mm	9.00mm
SE3-12.0X9.0	#3	M16	12.0mm	9.00mm
SE3-14.0X11.0	#3	M18	14.0mm	11.0mm
SE3-16.0X12.0	#3	M20	16.0mm	12.0mm
SE3-18.0X14.5	#3	M22, M24	18.0mm	14.5mm
SE3-20.0X16.0	#3	M27, M30	20.0mm	16.0mm
SE3-22.0X18.0	#3	M30	22.0mm	18.0mm
SE3-25.0X20.0	#3	M33, M36	25.0mm	20.0mm
SE3-28.0X22.0	#3	M36	28.0mm	22.0mm



### Dimensional Data

System	L	D1	D2
#1	0.27"	1.18"	0.75"
#2	0.43"	1.98"	1.22"
#3	0.55"	2.75"	1.89"



Note: See pages 182-183 for details about dimensions cross over for ANSI, DIN, ISO, JIS Specification Taps.

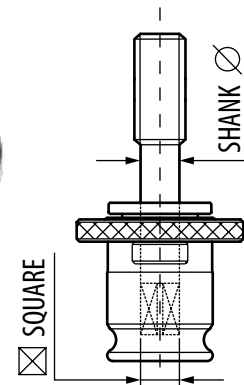


## Tap Collets

### Positive Drive Tap Collets - JIS Standard

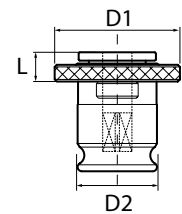
Standard collets are used for standard and coolant-thru tap holders, maximum 750 psi.

Part Number	System	Tap Size	Tap Shank ∅	Drive Square ☒
SE1-3.0X2.5	#1	M2	3.00mm	2.50mm
SE1-4.0X3.2	#1	M3	4.00mm	3.20mm
SE1-5.0X4.0	#1	M4, M4.5	5.00mm	4.00mm
SE1-5.5X4.5	#1	M5, M5.5	5.50mm	4.50mm
SE1-6.0X4.5	#1	M6	6.00mm	4.50mm
SE1-6.2X5.0	#1	M7, M8	6.20mm	5.00mm
SE1-7.0X5.5	#1	M9, M10	7.00mm	5.50mm
SE1-8.0X6.0	#1	M11	8.00mm	6.00mm
SE1-8.5X6.5	#1	M12	8.50mm	6.50mm
SE1-9.5X7.0	#1	M13	9.50mm	7.00mm
SE1-10.5X8.0	#1	M14, M15	10.5mm	8.00mm
SE2-6.0X4.5	#2	M6	6.00mm	4.50mm
SE2-6.2X5.0	#2	M7, M8	6.20mm	5.00mm
SE2-7.0X5.5	#2	M9, M10	7.00mm	5.50mm
SE2-8.0X6.0	#2	M11	8.00mm	6.00mm
SE2-8.5X6.5	#2	M12	8.50mm	6.50mm
SE2-9.5X7.0	#2	M13	9.50mm	7.00mm
SE2-10.5X8.0	#2	M14, M15	10.5mm	8.00mm
SE2-12.5X10.0	#2	M16	12.5mm	10.0mm
SE2-13.0X10.0	#2	M17	13.0mm	10.0mm
SE2-14.0X11.0	#2	M18	14.0mm	11.0mm
SE2-15.0X12.0	#2	M20	15.0mm	12.0mm
SE2-17.0X13.0	#2	M22	17.0mm	13.0mm
SE3-10.5X8.0	#3	M14, M15	10.5mm	8.00mm
SE3-12.5X10.0	#3	M16	12.5mm	10.0mm
SE3-14.0X11.0	#3	M18	14.0mm	11.0mm
SE3-15.0X12.0	#3	M20	15.0mm	12.0mm
SE3-17.0X13.0	#3	M22	17.0mm	13.0mm
SE3-19.0X15.0	#3	M24, M25	19.0mm	15.0mm
SE3-20.0X15.0	#3	M26, M27	20.0mm	15.0mm
SE3-21.0X17.0	#3	M28	21.0mm	17.0mm
SE3-23.0X17.0	#3	M30	23.0mm	17.0mm
SE3-24.0X19.0	#3	M32	24.0mm	19.0mm
SE3-25.0X19.0	#3	M33	25.0mm	19.0mm
SE3-26.0X21.0	#3	M34, M35	26.0mm	21.0mm
SE3-28.0X21.0	#3	M36, M38	28.0mm	21.0mm



### Dimensional Data

System	L	D1	D2
#1	0.27"	1.18"	0.75"
#2	0.43"	1.98"	1.22"
#3	0.55"	2.75"	1.89"



Note: See pages 182-183 for details about dimensions cross over for ANSI, DIN, ISO, JIS Specification Taps.



## Tap Collets

### Torque Control Tap Collets - U.S. Standard

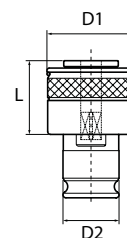
Standard collets are used for standard and coolant-thru tap holders, maximum 750 psi.

Part Number	System	Tap Size	Tap Shank ∅	Drive Square ⊠
T05-006	#1	#0-6	0.141"	0.110"
T05-008	#1	#8	0.168"	0.131"
T05-010	#1	#10	0.194"	0.152"
T05-012	#1	#12	0.220"	0.165"
T05-016	#1	1/4"	0.255"	0.191"
T05-020	#1	5/16"	0.318"	0.238"
T05-024	#1	3/8"	0.381"	0.286"
T05-028	#1	7/16"	0.323"	0.242"
T05-032	#1	1/2"	0.367"	0.275"
T05-036	#1	9/16"	0.429"	0.322"
T10-020	#2	5/16"	0.318"	0.238"
T10-024	#2	3/8"	0.381"	0.286"
T10-028	#2	7/16"	0.323"	0.242"
T10-032	#2	1/2"	0.367"	0.275"
T10-036	#2	9/16"	0.429"	0.322"
T10-040	#2	5/8"	0.480"	0.360"
T10-044	#2	11/16"	0.542"	0.406"
T10-048	#2	3/4"	0.590"	0.442"
T10-052	#2	13/16"	0.652"	0.489"
T10-056	#2	7/8"	0.697"	0.523"
T10-064*	#2	1"	0.800"	0.600"
T15-052	#3	13/16"	0.652"	0.489"
T15-056	#3	7/8"	0.697"	0.523"
T15-060	#3	15/16"	0.760"	0.570"
T15-064	#3	1"	0.800"	0.600"
T15-072	#3	1-1/8"	0.896"	0.672"
T15-080	#3	1-1/4"	1.021"	0.766"
T15-088	#3	1-3/8"	1.108"	0.831"



### Dimensional Data

System	L	D1	D2
#1	0.98"	1.28"	0.75"
#2	1.34"	1.99"	1.22"
#3	1.77"	2.83"	1.89"



Note:

- \*This collet is held with set screws.
- See pages 182-183 for details about dimensions cross over for ANSI, DIN, ISO, JIS Specification Taps.

### Positive Drive Pipe Tap Collet Sets

Part Number	Description
T05-SET-10	10 Piece System #1 Torque Control Tap Collet Set: #0 - 9/16" hand
T10-SET-10	10 Piece System #2 Torque Control Tap Collet Set: 5/16" - 7/8" hand
T15-SET-07	7 Piece System #3 Torque Control Tap Collet Set: 13/16" - 1-3/8" hand





## Tap Collets

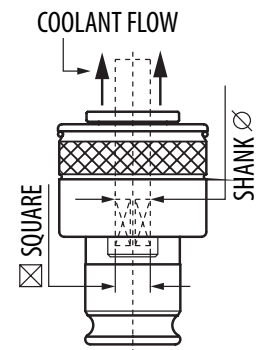
### Torque Control Tap Collets - Slotted

Slotted collets are designed for use with standard taps for coolant along the flute.

Part Number	System	Tap Size	Tap Shank ∅	Drive Square ☒
T05-006(S)	#1	#0-6	0.141"	0.110"
T05-008(S)	#1	#8	0.168"	0.131"
T05-010(S)	#1	#10	0.194"	0.152"
T05-012(S)	#1	#12	0.220"	0.165"
T05-016(S)	#1	1/4"	0.255"	0.191"
T05-020(S)	#1	5/16"	0.318"	0.238"
T05-024(S)	#1	3/8"	0.381"	0.286"
T05-028(S)	#1	7/16"	0.323"	0.242"
T05-032(S)	#1	1/2"	0.367"	0.275"
T05-036(S)	#1	9/16"	0.429"	0.322"
<hr/>				
T10-020(S)	#2	5/16"	0.318"	0.238"
T10-024(S)	#2	3/8"	0.381"	0.286"
T10-028(S)	#2	7/16"	0.323"	0.242"
T10-032(S)	#2	1/2"	0.367"	0.275"
T10-036(S)	#2	9/16"	0.429"	0.322"
T10-040(S)	#2	5/8"	0.480"	0.360"
T10-044(S)	#2	11/16"	0.542"	0.406"
T10-048(S)	#2	3/4"	0.590"	0.442"
T10-052(S)	#2	13/16"	0.652"	0.489"
T10-056(S)	#2	7/8"	0.697"	0.523"
T10-064(S)*	#2	1"	0.800"	0.600"
<hr/>				
T15-052(S)	#3	13/16"	0.652"	0.489"
T15-056(S)	#3	7/8"	0.697"	0.523"
T15-064(S)	#3	1"	0.800"	0.600"
T15-072(S)	#3	1-1/8"	0.896"	0.672"
T15-080(S)	#3	1-1/4"	1.021"	0.766"
T15-088(S)	#3	1-3/8"	1.108"	0.831"

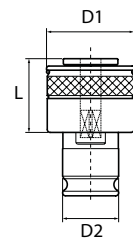
Note:

- \*This collet is held with set screws.
- See pages 182-183 for details about dimensions cross over for ANSI, DIN, ISO, JIS Specification Taps.



### Dimensional Data

System	L	D1	D2
#1	0.98"	1.28"	0.75"
#2	1.34"	1.99"	1.22"
#3	1.77"	2.83"	1.89"

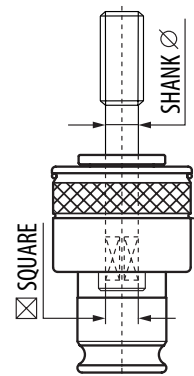


## Tap Collets

Tap Holders

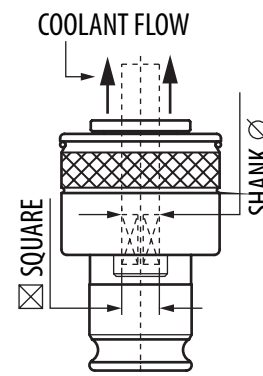
### Torque Control Pipe Tap Collets - U.S. Standard

Part Number	System	Tap Size	Tap Shank ø	Drive Square ☒
TPT05-008S	#1	1/8"S	0.313"	0.234"
TPT05-008L	#1	1/8"L	0.437"	0.328"
TPT10-016	#2	1/4"	0.562"	0.421"
TPT10-024	#2	3/8"	0.700"	0.531"
TPT10-032	#2	1/2"	0.687"	0.515"
TPT15-032	#3	1/2"	0.687"	0.515"
TPT15-048	#3	3/4"	0.906"	0.679"
TPT15-064	#3	1"	1.125"	0.843"



### Torque Control Pipe Tap Collets - Slotted

Part Number	System	Tap Size	Tap Shank ø	Drive Square ☒
TPT05-008S(S)	#1	1/8"S	0.313"	0.234"
TPT05-008L(S)	#1	1/8"L	0.437"	0.328"
TPT10-016(S)	#2	1/4"	0.562"	0.421"
TPT10-024(S)	#2	3/8"	0.700"	0.531"
TPT10-032(S)	#2	1/2"	0.687"	0.515"
TPT15-032(S)	#3	1/2"	0.687"	0.515"
TPT15-048(S)	#3	3/4"	0.906"	0.679"

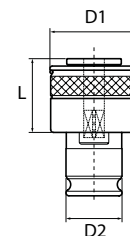


### Torque Control Pipe Tap Collet Sets

Part Number	Description
TPO5-SET-12	12 Piece System #1 Torque Control Tap Collet Set: #0-9/16" hand and 1/8" pipe
TP10-SET-13	13 Piece System #2 Torque Control Tap Collet Set: 5/16" - 7/8" hand and 1/4" - 1/2" pipe
TP15-SET-10	10 Piece System #3 Torque Control Tap Collet Set: 13/16" - 1-3/8" hand and 1/2" - 1" pipe

### Dimensional Data

System	L	D1	D2
#1	0.98"	1.28"	0.75"
#2	1.34"	1.99"	1.22"
#3	1.77"	2.83"	1.89"

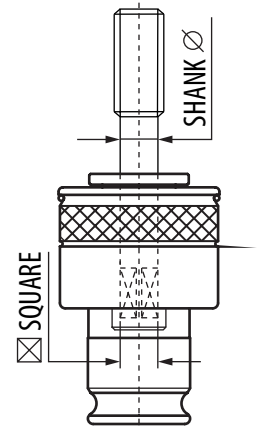


## Tap Collets

### Torque Control Tap Collets - ISO Standard

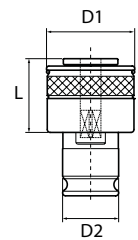
Standard collets are used for standard and coolant-thru tap holders, maximum 750 psi.

Part Number	System	Tap Size	Tap Shank ∅	Drive Square ☒
SES1-2.50X2.0	#1	M3.5, M2	2.50mm	2.00mm
SES1-3.15X2.50	#1	M4, M3	3.15mm	2.50mm
SES1-3.55X2.80	#1	M4.5, M3.5	3.55mm	2.80mm
SES1-4.0X3.15	#1	M5, M4	4.00mm	3.15mm
SES1-4.5X3.55	#1	M6	4.50mm	3.55mm
SES1-5.0X4.0	#1	M5	5.00mm	4.00mm
SES1-6.3X5.0	#1	M8, M6	6.30mm	5.00mm
SES1-7.1X5.6	#1	M7	7.10mm	5.60mm
SES1-8.0X6.3	#1	M11, M10, M8	8.00mm	6.30mm
SES1-9.0X7.1	#1	M12, M9	9.00mm	7.10mm
SES1-10.0X8.0	#1	M10	10.0mm	8.00mm
SES1-11.2X9.0	#1	M14	11.2mm	9.00mm
<hr/>				
SES2-5.0X4.0	#2	M5	5.00mm	4.00mm
SES2-6.3X5.0	#2	M8, M6	6.30mm	5.00mm
SES2-7.1X5.6	#2	M7	7.10mm	5.60mm
SES2-8.0X6.3	#2	M11, M10, M8	8.00mm	6.30mm
SES2-9.0X7.1	#2	M12, M9	9.00mm	7.10mm
SES2-10.0X8.0	#2	M10	10.0mm	8.00mm
SES2-11.2X9.0	#2	M14	11.2mm	9.00mm
SES2-12.5X10.0	#2	M16	12.5mm	10.0mm
SES2-14.0X11.2	#2	M20, M18	14.0mm	11.2mm
SES2-16.0X12.5	#2	M22	16.0mm	12.5mm
SES2-18.0X14.0	#2	M24	18.0mm	14.0mm
<hr/>				
SES3-10.0X8.0	#3	M10	10.0mm	8.00mm
SES3-11.2X9.0	#3	M14	11.2mm	9.00mm
SES3-12.5X10.0	#3	M16	12.5mm	10.0mm
SES3-18.0X14.0	#3	M24	18.0mm	14.0mm
SES3-20.0X16.0	#3	M30, M27	20.0mm	16.0mm
SES3-25.0X20.0	#3	M36, M33	25.0mm	20.0mm
SES3-28.0X22.4	#3	M42, M39	28.0mm	22.4mm



### Dimensional Data

System	L	D1	D2
#1	0.98"	1.28"	0.75"
#2	1.34"	1.99"	1.22"
#3	1.77"	2.83"	1.89"



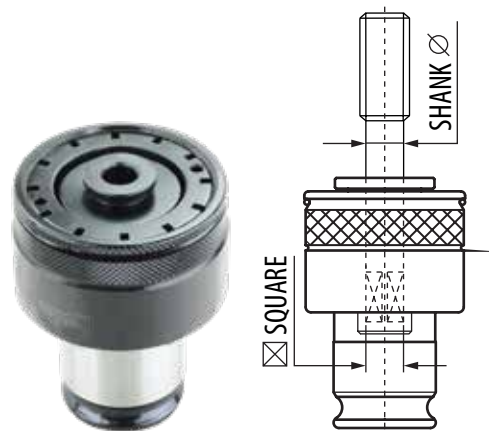
## Tap Collets

### Torque Control Tap Collets - DIN 371/376 Standard

Standard collets are used for standard and coolant-thru tap holders, maximum 750 psi.

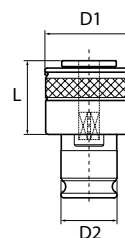
Tap Holders

Part Number	System	Tap Size	Tap Shank ∅	Drive Square ⊠
SES1-2.5X2.1	#1	M1.4, M1.8, M3	2.50mm	2.10mm
SES1-2.8X2.1	#1	M2, M2.2, M2.5, M4	2.80mm	2.10mm
SES1-3.5X2.7	#1	M3, M5	3.50mm	2.70mm
SES1-4.0X3.0	#1	M3.5	4.00mm	3.00mm
SES1-4.5X3.4	#1	M4, M6	4.50mm	3.40mm
SES1-6.0X4.9	#1	M5, M6, M8	6.00mm	4.90mm
SES1-7.0X5.5	#1	M10	7.00mm	5.50mm
SES1-8.0X6.2	#1	M8, M10	8.00mm	6.20mm
SES1-9.0X7.0	#1	M12	9.00mm	7.00mm
SES1-10.0X8.0	#1	M10	10.0mm	8.00mm
SES1-11.0X9.0	#1	M14	11.0mm	9.00mm
SES2-3.5X2.7	#2	M3, M5	3.50mm	2.70mm
SES2-4.0X3.0	#2	M3.5	4.00mm	3.00mm
SES2-4.5X3.4	#2	M4, M6	4.50mm	3.40mm
SES2-6.0X4.9	#2	M5, M6, M8	6.00mm	4.90mm
SES2-7.0X5.5	#2	M10	7.00mm	5.50mm
SES2-8.0X6.2	#2	M8, M10	8.00mm	6.20mm
SES2-9.0X7.0	#2	M12	9.00mm	7.00mm
SES2-10.0X8.0	#2	M10	10.0mm	8.00mm
SES2-11.0X9.0	#2	M14	11.0mm	9.00mm
SES2-12.0X9.0	#2	M16	12.0mm	9.00mm
SES2-14.0X11.0	#2	M18	14.0mm	11.0mm
SES2-16.0X12.0	#2	M20	16.0mm	12.0mm
SES2-18.0X14.5	#2	M22, M24	18.0mm	14.5mm
SES3-8.0X6.2	#2	M8, M10	8.00mm	6.20mm
SES3-9.0X7.0	#3	M12	9.00mm	7.00mm
SES3-10.0X8.0	#3	M10	10.0mm	8.00mm
SES3-11.0X9.0	#3	M14	11.0mm	9.00mm
SES3-12.0X9.0	#3	M16	12.0mm	9.00mm
SES3-14.0X11.0	#3	M18	14.0mm	11.0mm
SES3-16.0X12.0	#3	M20	16.0mm	12.0mm
SES3-18.0X14.5	#3	M22, M24	18.0mm	14.5mm
SES3-20.0X16.0	#3	M27, M30	20.0mm	16.0mm
SES3-22.0X18.0	#3	M30	22.0mm	18.0mm
SES3-25.0X20.0	#3	M33, M36	25.0mm	20.0mm
SES3-28.0X22.0	#3	M36	28.0mm	22.0mm



### Dimensional Data

System	L	D1	D2
#1	0.98"	1.28"	0.75"
#2	1.34"	1.99"	1.22"
#3	1.77"	2.83"	1.89"

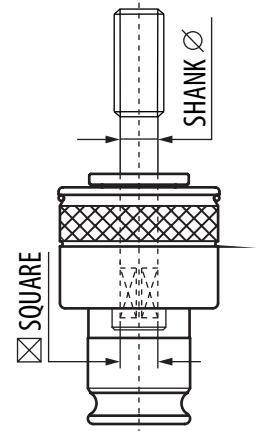


## Tap Collets

### Torque Control Tap Collets - JIS Standard

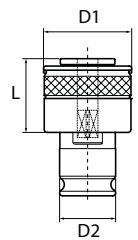
Standard collets are used for standard and coolant-thru tap holders, maximum 750 psi.

Part Number	System	Tap Size	Tap Shank ∅	Drive Square ☒
SES1-3.0X2.5	#1	M2	3.00mm	2.50mm
SES1-4.0X3.2	#1	M3	4.00mm	3.20mm
SES1-5.0X4.0	#1	M4, M4.5	5.00mm	4.00mm
SES1-5.5X4.5	#1	M5, M5.5	5.50mm	4.50mm
SES1-6.0X4.5	#1	M6	6.00mm	4.50mm
SES1-6.2X5.0	#1	M7, M8	6.20mm	5.00mm
SES1-8.0X6.0	#1	M11	8.00mm	6.00mm
SES1-8.5X6.5	#1	M12	8.50mm	6.50mm
SES1-10.5X8.0	#1	M14, M15	10.5mm	8.00mm
SES2-6.2X5.0	#2	M7, M8	6.20mm	5.00mm
SES2-8.0X6.0	#2	M11	8.00mm	6.00mm
SES2-8.5X6.5	#2	M12	8.50mm	6.50mm
SES2-10.5X8.0	#2	M14, M15	10.5mm	8.00mm
SES2-12.5X10.0	#2	M16	12.5mm	10.00mm
SES2-14.0X11.0 (JIS)	#2	M18	14.0mm	11.0mm
SES2-15.0X12.0	#2	M20	15.0mm	12.0mm
SES2-17.0X13.0	#2	M22	17.0mm	13.0mm
SES3-12.5X10.0	#3	M16	12.5mm	10.0mm
SES3-15.0X12.0	#3	M20	15.0mm	12.0mm
SES3-19.0X15.0	#3	M24, M25	19.0mm	15.0mm
SES3-20.0X15.0	#3	M26, M27	20.0mm	15.0mm
SES3-23.0X17.0	#3	M30	23.0mm	17.0mm
SES3-28.0X21.0	#3	M36, M38	28.0mm	21.0mm



### Dimensional Data

System	L	D1	D2
#1	0.98"	1.28"	0.75"
#2	1.34"	1.99"	1.22"
#3	1.77"	2.83"	1.89"



## Tap Holder Accessories

### Tap Collet Reducers

Part Number	Description
CRE-2/1	System #2 Reduction Adapter to System #1
CRE-3/2	System #3 Reduction Adapter to System #2



### Tap Collet Racks

Part Number	Description
RACK-ER20/1TAP	System #1 Tap Collet Rack, 24 piece capacity
RACK-ER32/2TAP	System #2 Tap Collet Rack, 32 piece capacity



### Spanner Wrench for Tap Holders

Part Number	Description
T05-SPAN	Fits System #1 Torque Control Tap Collets
T10-SPAN	Fits System #2 Torque Control Tap Collets
T15-SPAN	Fits System #3 Torque Control Tap Collets



### Coolant Tube Wrench for HSK Holders

Part Number	Description
HSK63-WRENCH	Wrench for HSK40 Coolant Tube



### Coolant Tube for HSK Holders

Part Number	Description
HSK63-TUBE	Coolant Tube for HSK63 holder



## Tapping - Technical Details

### Tap Shank Standards

- Tap shanks are manufactured to many international standards, each specified by their country of origin. Although most taps sold in North America comply with the ANSI B94.9 standard, we appreciate your assistance to help further qualify the matching tap collet necessary by providing the round shank size and the drive square dimensions.
- Please note not all taps were designed to be held in a tap collet compliant to ANSI, ISO, DIN or JIS standards. Please call us to discuss more advanced alternatives for tapping.

### Tap Collet Systems

- All Lyndex-Nikken tap collets are based on the "Bilz" standard quick-change system and will interchange with other manufacturers compliant to the same standard.
- Lyndex-Nikken does not offer tap collets for the Intertap system.
- Please take into consideration the nature of each application before determining which system (system 1, 2 or 3) suits your needs. If the same tap collet size is offered within two different systems, we recommend that harder materials should utilize a larger tap collet series to help sustain the required torque capacity and rigidity for the operation.

### Positive Drive Tap Collets and Holders

- Positive Drive Tap Collets should only be used on equipment that have the ability to synchronize spindle rotation and spindle feed, commonly referred to as "Direct Tapping", "Rigid Tapping" or "Electronic Lead Screw Tapping".
- Positive Drive tapping systems do not have the tension and compression ability as a traditional float mechanism and therefore offer no protection from overloads such as under-sized holes, wornout taps or misplaced cored holes in castings.
- Rigid Tap Holders must only be used with Positive Drive Tapping Collets. The use of Rigid Tap holders on non-synchronized machinery will result in poor threads and/or damage to tapping holder or collets.



## Tap Dimensional Data

Shank Diameter		Square Diameter		U.S.		JIS	DIN 371	DIN 376	ISO
Inch	Metric	Inch	Metric	Metric	Inch	Metric	Metric	Metric	Metric
0.088	2.2	0.070	1.8				M3		
0.098	2.5	0.078	2.0				M3.5, M2		
0.098	2.5	0.083	2.1						M1 - M1.8
0.109	2.8	0.088	2.2				M2.5, M2.2		
0.110	2.8	0.083	2.1						M2 - M2.5
0.123	3.2	0.098	2.5				M4, M3		
0.138	3.5	0.106	2.7						M3
0.139	3.6	0.109	2.8				M4.5, M3.5		
0.141	3.6	0.110	2.8	M1.6 - M3.5	#0 - #6				
0.156	4.0	0.123	3.2				M5, M4		
0.157	4.0	0.118	3.0						M3.5
0.168	4.3	0.131	3.3	M4	#8				
0.176	4.5	0.139	3.6				M6		
0.177	4.5	0.134	3.4						M4
0.194	4.9	0.152	3.9	M5	#10				
0.196	5.0	0.156	4.0				M5		
0.197	5.0	0.157	4.0			M4			
0.217	5.5	0.177	4.5			M5			
0.219	5.6	0.176	4.5				M5		
0.220	5.6	0.165	4.2		#12				
0.225	5.7	0.191	4.9	M6	1/4"				
0.236	6.0	0.193	4.9					M8	
0.236	6.0	0.177	4.5			M6			
0.236	6.0	0.193	4.9						M5, M6
0.244	6.2	0.197	5.0			M7, M8			
0.246	6.3	0.196	5.0				M8, M6		
0.276	7.0	0.217	5.5			M9, M10		M10	
0.278	7.1	0.219	5.6				M7		
0.313	8.0	0.246	6.3				M11, M10, M8		
0.315	8.0	0.236	6.0			M11			
0.315	8.0	0.244	6.2						M8
0.318	8.1	0.238	6.0	M7, M8	5/16"				
0.323	8.2	0.242	6.1		7/16"				
0.335	8.5	0.256	6.5			M12			
0.352	9.0	0.278	7.1				M12, M9		
0.354	9.0	0.276	7.0					M12	
0.367	9.3	0.275	7.0	M12	1/2"				
0.381	9.7	0.286	7.3	M10	3/8"				
0.391	10.0	0.313	8.0				M10		
0.394	10.0	0.315	8.0						M10
0.413	10.5	0.315	8.0			M14, M15			
0.429	10.9	0.322	8.2	M14	9/16"				
0.433	11.0	0.354	9.0					M14	
0.438	11.2	0.352	9.0				M14		
0.451	11.5	0.406	10.3	M18	11/16"				
0.472	12.0	0.354	9.0					M16	
0.480	12.2	0.360	9.1	M16	5/8"				
0.489	12.5	0.391	10.0				M16		
0.492	12.5	0.394	10.0			M16			



## Tap Dimensional Data

Shank Diameter		Square Diameter		U.S.		JIS	DIN 371	DIN 376	ISO
Inch	Metric	Inch	Metric	Metric	Inch	Metric	Metric	Metric	Metric
0.512	13.0	0.394	10.0			M17			
0.547	14.0	0.438	11.2				M20, M18		
0.551	14.0	0.433	11.0			M18		M18	
0.590	15.0	0.442	11.2		3/4"				
0.591	15.0	0.472	12.0			M20			
0.626	16.0	0.489	12.5				M22		
0.630	16.0	0.472	12.0					M20	
0.652	16.6	0.489	12.4	M20	13/16"				
0.669	17.0	0.512	13.0			M22			
0.697	17.7	0.523	13.3	M22	7/8"				
0.704	18.0	0.547	14.0				M24		
0.709	18.0	0.571	14.5					M22, M24	
0.748	19.0	0.591	15.0			M25			
0.760	19.3	0.570	14.5	M24	15/16"				
0.782	20.0	0.626	16.0				M30, M27		
0.787	20.0	0.630	16.0					M27	
0.787	20.0	0.591	15.0			M26, M27			
0.800	20.3	0.600	15.2	M25	1"				
0.827	21.0	0.669	17.0			M28			
0.866	22.0	0.709	18.0					M30	
0.876	22.4	0.704	18.0				M33		
0.896	22.8	0.672	17.1	M27	1-1/16"				
0.906	23.0	0.669	17.0			M30			
0.945	24.0	0.748	19.0			M32			
0.978	25.0	0.782	20.0				M36, M33		
0.984	25.0	0.787	20.0					M33	
0.984	25.0	0.748	19.0			M33			
1.021	25.9	0.766	19.5	M30	1-3/16"				
1.024	26.0	0.827	21.0			M34, M35			
1.095	28.0	0.876	22.4				M42, M39		
1.102	28.0	0.866	22.0					M36	
1.102	28.0	0.827	21.0			M36, M38			
1.108	28.1	0.831	21.1	M33	1-5/16"				
1.181	30.0	0.906	23.0			M39, M40			
1.260	32.0	0.945	24.0					M39, M42	
1.260	32.0	1.024	26.0			M42			
1.417	36.0	1.142	29.0					M45, M48	
1.575	40.0	1.260	32.0					M52	

**Torque Control Tap Collet Torque Specifications**

**Preset Torque for Tap Collets - ANSI**

Tap Size	Torque Setting (ft./lbs.)	Tap Size	Torque Setting (ft./lbs.)	Tap Size	Torque Setting (ft./lbs.)
#0-1	0.14	1/4"	4	13/16"	57
#2	0.22	5/16"	7	7/8"	72
#3	0.29	3/8"	12	15/16"	77
#4	0.36	7/16"	16	1"	101
#5	0.58	1/2"	24	1-1/8"	145
#6	0.72	9/16"	29		
#8	1	5/8"	36		
#10	2	11/16"	44		
#12	3	3/4"	51		

**Preset Torque for Tap Collets - ISO**

Tap Shank x Square	Tap Size	Torque Setting (N.m)	
2.24 x 1.8	M 3	0.5	○
2.5 x 2	M 2	0.3	■
	M 3.5	0.8	○
2.8 x 2.24	M 2.2	0.35	■
	M 2.5	0.4	○
3.15 x 2.5	M 3	0.5	■
	M 4	1.2	○
3.55 x 2.8	M 3.5	0.8	■
	M 4.5	1.6	○
4 x 3.15	M 4	1.2	■
	M 5	2	○
4.5 x 3.55	M 4.5	1.6	■
	M 6	4	○
5 x 4	M 5	2	○
5.6 x 4.5	M 7	6	○
6.3 x 5	M 6	4	■
	M 8	8	○
7.1 x 5.6	M 7	6	○
	M 10	16	■
8 x 6.3	M 8	8	○
	M 10	16	■
	M 11	18	■
9 x 7.1	M 9	12	■
	M 12	22	○
10 x 8	M 10	16	○
11.2 x 9	M 14	36	○
12.5 x 10	M 16	40	○
	M 20	70	■
14 x 11.2	M 18	63	○
16 x 12.5	M 22	80	○
18 x 14	M 24	125	○
20 x 16	M 30	220	○
22.4 x 18	M 33	240	○
25 x 20	M 33	240	○
	M 36	280	■
28 x 22.4	M 39	320	○
	M 42	420	■

**Preset Torque for Tap Collets - DIN**

Tap Shank x Square	Tap Size	Torque Setting (N.m)	
2.5 x 2.1	M 1.8	0.3	○
	M 3	0.5	■
2.8 x 2.1	M 2	0.3	■
	M 2.2	0.35	■
	M 2.5	0.4	○
	M 4	1.2	■
3.5 x 2.7	M 3	0.5	○
	M 5	2	■
4 x 3	M 3.5	0.8	○
4.5 x 3.4	M 4	1.2	○
	M 6	4	■
6 x 4.9	M 5	2	■
	M 6	4	■
	M 8	8	○
7 x 5.5	M 10	16	○
8 x 6.2	M 8	8	○
	M 11	18	■
9 x 7	M 12	22	○
10 x 8	M 10	16	○
11 x 9	M 14	36	○
12 x 9	M 16	40	○
14 x 11	M 16	40	■
	M 18	63	○
16 x 12	M 20	70	○
18 x 14.5	M 22	80	■
	M 24	125	○
20 x 16	M 27	140	○
22 x 18	M 30	220	○
25 x 20	M 33	240	○
	M 36	280	■
28 x 22	M 36	280	○

Note:  
○ - Standard setting  
■ - Setting on request

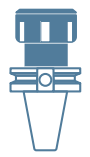
**Preset Torque for Tap Collets - JIS**

Tap Shank x Square	Tap Size	Torque Setting (N.m)
3 x 2.5	M 2	0.6
4 x 3.2	M 3	1
5 x 4	M 4	2.3
5.5 x 4.5	M 5	3.6
6 x 4.5	M 6	5.9
6.2 x 5	M 8	12
7 x 5.5	M 10	22
8 x 6	M 11	25
8.5 x 6.5	M 12	31
9.5 x 7	M 13	39
10.5 x 8	M 14	46
12.5 x 10	M 16	51
13 x 10	M 17	67
14 x 11	M 18	80
15 x 12	M 20	88
17 x 13	M 22	98
19 x 15	M 24	132
20 x 15	M 27	157
21 x 17	M 28	175
23 x 17	M 30	225
24 x 19	M 32	235
25 x 19	M 33	245
26 x 21	M 34	265
28 x 21	M 36	304





TG/DA Collet Chucks

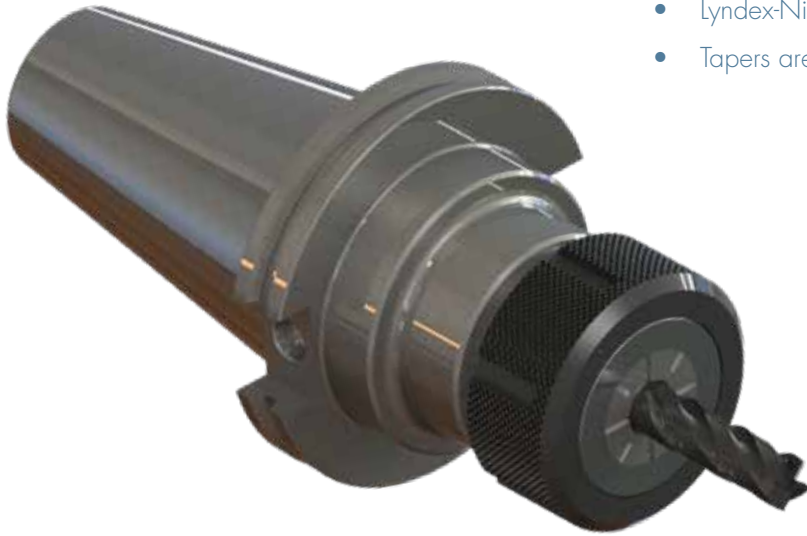


## TG Collet Chuck Features

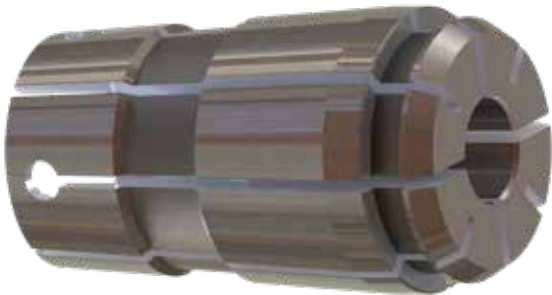


TG/DA Collet Chucks

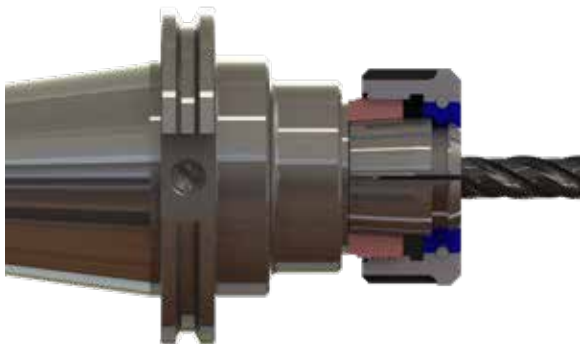
- Made from low carbon 4115 Chromoly
- Heat treated to 58 HRc
- Lyndex-Nikken TG holders provide great rigidity
- Tapers are ground to AT3 standards or better



- All Lyndex-Nikken TG Collet Chucks come standard with bearing nuts
- Bearing Nuts reduce collet twisting, maintaining repeatability of accuracy
- Improves T.I.R. to wear cutting tools evenly



- Made from 4145 Chromoly, heat treated and CNC slotted to maintain precision ID bore cylindricity
- Available in standard and high pressure coolant thru capable style collets



- Included 8 degree collet angle allows high precision and greater clamping torque than 16 degree ER collet chucks



## DA Collet Chuck Features

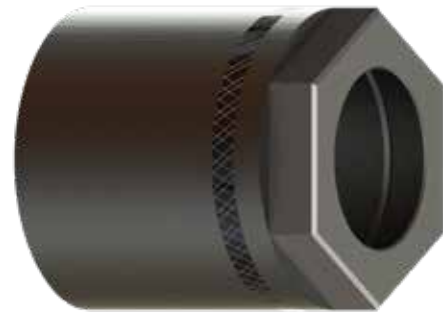


- Made from low carbon 4115 Chromoly
- Lyndex-Nikken DA holders have a strong case hardening, making these holders ideal for drilling
- Tapers are ground to AT3 standards or better
- Balanced to G6.3 at 20,000 RPM

- Aerospace J-style thread provides smooth torque transmission between the nut and the holder, giving Lyndex-Nikken DA Collet Chucks higher clamping torque than the competition.



- Made from Chromoly 4150
- Heat treated and stress relieved for optimal hardness and flexibility
- Precision ground and slotted



- Made from Chromoly 4150
- Ground mating surface to collet assures maximum clamping torque to the cutting tool

**CAT TG Collet Chucks**



- Ground surface for perpendicular contact between retention knob and holder
- AT3 or better taper



**T.I.R.:** <.0002" at collet face



**Speed:** up to 20,000 rpm



**Set-up:** quick and easy



Drilling



Milling



Tapping



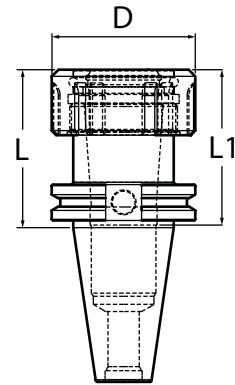
Reaming

Please note that the maximum RPM listed in our catalog may vary depending on the toolholder shank, weight, balanceability and the G rating.

**CAT40**

Part Number	Style	Collet Series	Collet Range	Nut Wrench	L	L1	D
C40S7-1000-2.75	Stubby	100TG	3/64-1"	100TG-SPAN	2.75"	2.13"	2.50"
C4007-1000-3.50	Standard	100TG	3/64-1"	100TG-SPAN	3.50"	2.13"	2.50"
C4017-1000-5.50	Standard	100TG	3/64-1"	100TG-SPAN	5.50"	2.13"	2.50"

TG Collet Chucks come with back-up screw.

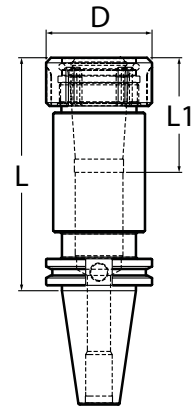


**Stubby**

**CAT50**

Part Number	Style	Collet Series	Collet Range	Nut Wrench	L	L1	D
C5007-1000-3.50	Standard	100TG	3/64-1"	100TG-SPAN	3.50"	2.13"	2.50"
C5017-1000-5.50	Standard	100TG	3/64-1"	100TG-SPAN	5.50"	2.13"	2.50"
C5027-1000-7.50	Standard	100TG	3/64-1"	100TG-SPAN	7.50"	2.13"	2.50"
C5037-1000-10.00	Standard	100TG	3/64-1"	100TG-SPAN	10.00"	2.13"	3.50"

TG Collet Chucks come with back-up screw.



**Standard**

**Toolholder Assembly Procedure**

To use: first insert the collet into the chuck nut by squeezing the collet and pressing its face into the chuck nut's retaining ring until the collet's collar is fully seated. Then load the assembly into the chuck, insert a cutting tool, and tighten with the appropriate nut wrench to the recommended tightening torque.

To remove: simply squeeze the collet while pulling it from the chuck nut at an angle.

When removing the back-up screw, TG Collet Chucks have coolant-thru capabilities. No disc, special nut or wrench required! See TG Coolant Collets on pages 192-193.





## BT TG Collet Chucks



**T.I.R.:** <.0002" at collet face



Drilling



**Speed:** up to 20,000 rpm



Milling



**Set-up:** quick and easy



Tapping



**Coolant-Thru:** thru-tool coolant



Reaming

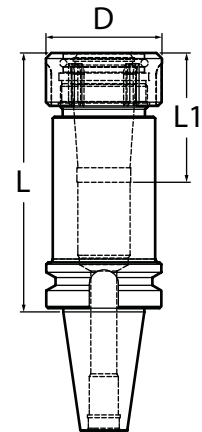
- Ground surface for perpendicular contact between retention knob and holder
- AT3 or better taper

Please note that the maximum RPM listed in our catalog may vary depending on the toolholder shank, weight, balanceability and the G rating.

### BT30/40/50

Part Number	Style	Collet Series	Collet Range	Nut Wrench	L	L1	D
B3007-0250-1.75	BT30	25TG	3/64-1/4"	25TG-HEX	1.75"	0.61"	0.75"
B3017-0250-4.00	BT30	25TG	3/64-1/4"	25TG-HEX	4.00"	0.61"	0.75"
B3007-0750-2.50	BT30	75TG	3/64-3/4"	75TG-SPAN	2.50"	1.61"	1.89"
B3007-1000-3.94	BT30	100TG	3/64-1"	100TG-SPAN	3.94"	2.24"	2.50"
B4007-0250-2.00	BT40	25TG	3/64-1/4"	25TG-HEX	2.00"	0.61"	0.75"
B4017-0250-4.00	BT40	25TG	3/64-1/4"	25TG-HEX	4.00"	0.61"	0.75"
B4007-1000-3.50	BT40	100TG	3/64-1"	100TG-SPAN	3.50"	2.13"	2.50"
B5007-1000-3.50	BT50	100TG	3/64-1"	100TG-SPAN	3.50"	2.13"	2.50"

TG Collet Chucks come with back-up screw.



TG/DA Collet Chucks

### Toolholder Assembly Procedure

To use: first insert the collet into the chuck nut by squeezing the collet and pressing its face into the chuck nut's retaining ring until the collet's collar is fully seated. Then load the assembly into the chuck, insert a cutting tool, and tighten with the appropriate nut wrench to the recommended tightening torque.

To remove: simply squeeze the collet while pulling it from the chuck nut at an angle.

When removing the back-up screw, TG Collet Chucks have coolant-thru capabilities. No disc, special nut or wrench required! See TG Coolant Collets on pages 193-195.



TG Collets  
Pages 192-195



TG Torque Wrench  
Page 196



TG Back Up Screw  
Page 196



TG Nut  
Page 196

**NMTB TG Collet Chucks**



**T.I.R.:** <.0002" at collet face



**Set-up:** quick and easy



**Coolant-Thru:** thru-tool coolant



Drilling



Milling



Tapping



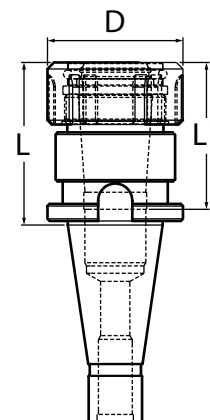
Reaming

**NMTB40/50**

Part Number	Style	Collet Series	Collet Range	Nut Wrench	L	L1	D
N4007-1000-3.00	NMTB40	100TG	3/64-1"	100TG-SPAN	3.00"	2.12"	2.50"
N5007-1000-3.50	NMTB50	100TG	3/64-1"	100TG-SPAN	3.50"	2.12"	2.50"

*Notes:*

- TG Collet Chucks come with back-up screw.
- NMTB shanks are suitable for use with Erickson Quick Change spindles.



TG/DA Collet Chucks

**Toolholder Assembly Procedure**

To use: first insert the collet into the chuck nut by squeezing the collet and pressing its face into the chuck nut's retaining ring until the collet's collar is fully seated. Then load the assembly into the chuck, insert a cutting tool, and tighten with the appropriate nut wrench to the recommended tightening torque.

To remove: simply squeeze the collet while pulling it from the chuck nut at an angle.

When removing the back-up screw, TG Collet Chucks have coolant-thru capabilities. No disc, special nut or wrench required! See TG Coolant Collets on pages 194-195.







## Straight Shank TG Collet Chucks



**T.I.R.:** <.0002" at collet face



**Set-up:** quick and easy



**Coolant-Thru:** thru-tool coolant



Drilling



Milling



Tapping



Reaming

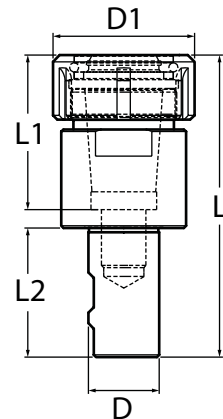
### Features of Straight Shank Tooling

- Straight shank tooling may be used to extend tooling reach for extended length operations
- This option is less costly than extended length integral shank tooling
- They may be used with any size machining center or lathe
- When loaded into larger holders, their reduced O.D. permits drilling operations within large holes or whenever tight clearances are encountered

### Straight Shank

Part Number	Collet Series	Collet Range	Nut Wrench	D	L	L1	L2	D1
S1507-1000-9.00	100TG	3/64-1"	100TG-SPAN	1.50"	9.00"	2.73"	6.00"	2.50"

TG Collet Chucks come with back-up screw.



### Toolholder Assembly Procedure

To use: first insert the collet into the chuck nut by squeezing the collet and pressing its face into the chuck nut's retaining ring until the collet's collar is fully seated. Then load the assembly into the chuck, insert a cutting tool, and tighten with the appropriate nut wrench to the recommended tightening torque.

To remove: simply squeeze the collet while pulling it from the chuck nut at an angle.



TG Collets  
Pages 192-195



TG Torque Wrench  
Page 196



TG Back Up Screw  
Page 196



TG Nut  
Page 196

## 50TG Collets

TG standard collets collapse approximately 1/64"

### Inch

Size Range: 1/8" - 1/2"

Part Number	Size
050-008	1/8"
050-009	9/64"
050-010	5/32"
050-011	11/64"
050-012	3/16"
050-013	13/64"
050-014	7/32"
050-015	15/64"
050-016	1/4"
050-017	17/64"
050-018	9/32"
050-019	19/64"
050-020	5/16"
050-021	21/64"
050-022	11/32"
050-023	23/64"
050-024	3/8"
050-025	25/64"
050-026	13/32"
050-027	27/64"
050-028	7/16"
050-029	29/64"
050-030	15/32"
050-031	31/64"
050-032	1/2"

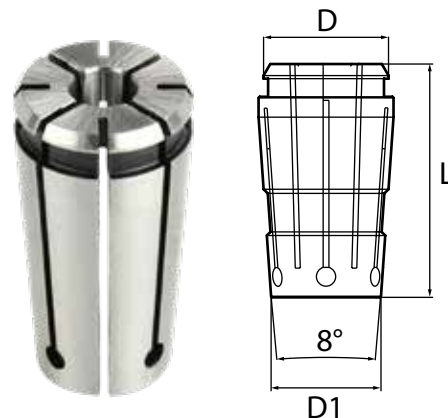


### Dimensional Data

Style	D	D1	L	Collet Range	Nut Tightening Torque
50TG	0.760"	0.594"	1.437"	1/8-1/2"	35 ft.lbs
75TG	1.063"	0.871"	1.844"	3/64-3/4"	55 ft.lbs
100TG	1.278"	1.121"	2.386"	3/64-1"	75 ft.lbs
150TG	1.875"	1.678"	3.000"	1/2"-1.1/2"	100 ft.lbs

#### Notes:

- Tolerance: Guaranteed to be within 0.0002" at the collet nose.
- Accuracy: Less than 0.0005" at 4 x D.





## 75TG Collets

TG standard collets collapse approximately 1/64"

### Inch

Size Range: 3/64" - 3/4"

Part Number	Size
075-003	3/64"
075-004	1/16"
075-005	5/64"
075-006	3/32"
075-007	7/64"
075-008	1/8"
075-009	9/64"
075-010	5/32"
075-011	11/64"
075-012	3/16"
075-013	13/64"
075-014	7/32"
075-015	15/64"
075-016	1/4"
075-017	17/64"
075-018	9/32"
075-019	19/64"
075-020	5/16"
075-021	21/64"
075-022	11/32"
075-023	23/64"
075-024	3/8"
075-025	25/64"
075-026	13/32"
075-027	27/64"
075-028	7/16"
075-029	29/64"
075-030	15/32"
075-031	31/64"
075-032	1/2"
075-033	33/64"
075-034	17/32"
075-035	35/64"
075-036	9/16"
075-037	37/64"
075-038	19/32"
075-039	39/64"
075-040	5/8"
075-041	41/64"
075-042	21/32"
075-043	43/64"
075-044	11/16"
075-045	45/64"
075-046	23/32"
075-047	47/64"
075-048	3/4"

### Inch - Coolant-Thru

Size Range: 1/8" - 3/4"

Part Number	Size
-	-
-	-
-	-
-	-
-	-
075-008(C)	1/8"
075-009(C)	9/64"
075-010(C)	5/32"
075-011(C)	11/64"
075-012(C)	3/16"
075-013(C)	13/64"
075-014(C)	7/32"
075-015(C)	15/64"
075-016(C)	1/4"
075-017(C)	17/64"
075-018(C)	9/32"
075-019(C)	19/64"
075-020(C)	5/16"
075-021(C)	21/64"
075-022(C)	11/32"
075-023(C)	23/64"
075-024(C)	3/8"
075-025(C)	25/64"
075-026(C)	13/32"
075-027(C)	27/64"
075-028(C)	7/16"
075-029(C)	29/64"
075-030(C)	15/32"
075-031(C)	31/64"
075-032(C)	1/2"
075-033(C)	33/64"
075-034(C)	17/32"
075-035(C)	35/64"
075-036(C)	9/16"
075-037(C)	37/64"
075-038(C)	19/32"
075-039(C)	39/64"
075-040(C)	5/8"
075-041(C)	41/64"
075-042(C)	21/32"
075-043(C)	43/64"
075-044(C)	11/16"
075-045(C)	45/64"
075-046(C)	23/32"
075-047(C)	47/64"
075-048(C)	3/4"

Notes: Cutter must be inserted the full length of the collet.



### 75TG Collets Sets

075-SET-12	12 Piece 75TG Collet Set: 1/16" - 3/4" by 1/16ths
075-SET-17	17 Piece 75TG Collet Set: 1/8" - 3/8 by 1/64ths
075-SET-23	23 Piece 75TG Collet Set: 1/16" 3/4" by 1/32nds
075-SET-27	27 Piece 75TG Collet Set: 3/32" - 1/2" by 1/64ths
075-SET-45	45 Piece 75TG Collet Set: 1/16" 3/4" by 1/64ths

Notes:

- Our coolant collets seal up to a maximum coolant pressure of 1000 psi.
- Range collapsibility is 0.004 - 0.006" for coolant collet.
- See dimensional data for TG Collets on page 192.

These patented coolant collets are designed for use with cylindrical shank tools (no flats). Cutting tool should be inserted the full length of the collet. If these conditions are not met, coolant leakage will result.

# 100TG Collets

TG standard collets collapse approximately 1/64"

## Inch

Size Range: 3/64" - 1"

Part Number	Size
100-003	3/64"
100-004	1/16"
100-005	5/64"
100-006	3/32"
100-007	7/64"
100-008	1/8"
100-009	9/64"
100-010	5/32"
100-011	11/64"
100-012	3/16"
100-013	13/64"
100-014	7/32"
100-015	15/64"
100-016	1/4"
100-017	17/64"
100-018	9/32"
100-019	19/64"
100-020	5/16"
100-021	21/64"
100-022	11/32"
100-023	23/64"
100-024	3/8"
100-025	25/64"
100-026	13/32"
100-027	27/64"
100-028	7/16"
100-029	29/64"
100-030	15/32"
100-031	31/64"
100-032	1/2"
100-033	33/64"
100-034	17/32"
100-035	35/64"
100-036	9/16"
100-037	37/64"
100-038	19/32"
100-039	39/64"
100-040	5/8"
100-041	41/64"
100-042	21/32"
100-043	43/64"
100-044	11/16"
100-045	45/64"
100-046	23/32"
100-047	47/64"
100-048	3/4"
100-049	49/64"
100-050	25/32"
100-051	51/64"
100-052	13/16"
100-053	53/64"
100-054	27/32"
100-055	55/64"
100-056	7/8"
100-057	57/64"
100-058	29/32"
100-059	59/64"
100-060	15/16"
100-061	61/64"
100-062	31/32"
100-063	63/64"
100-064	1"

## Inch - Coolant-Thru

Size Range: 1/4" - 1"

Part Number	Size
-	-
-	-
-	-
-	-
-	-
-	-
-	-
-	-
-	-
-	-
-	-
-	-
-	-
100-016(C)	1/4"
100-017(C)	17/64"
100-018(C)	9/32"
100-019(C)	19/64"
100-020(C)	5/16"
100-021(C)	21/64"
100-022(C)	11/32"
100-023(C)	23/64"
100-024(C)	3/8"
100-025(C)	25/64"
100-026(C)	13/32"
100-027(C)	27/64"
100-028(C)	7/16"
100-029(C)	29/64"
100-030(C)	15/32"
100-031(C)	31/64"
100-032(C)	1/2"
100-033(C)	33/64"
100-034(C)	17/32"
100-036(C)	9/16"
100-037(C)	37/64"
100-038(C)	19/32"
100-039(C)	39/64"
100-040(C)	5/8"
100-041(C)	41/64"
100-042(C)	21/32"
100-043(C)	43/64"
100-044(C)	11/16"
100-045(C)	45/64"
100-046(C)	23/32"
100-047(C)	47/64"
100-048(C)	3/4"
100-049(C)	49/64"
100-050(C)	25/32"
100-051(C)	51/64"
100-052(C)	13/16"
100-053(C)	53/64"
100-054(C)	27/32"
100-055(C)	55/64"
100-056(C)	7/8"
100-057(C)	57/64"
100-058(C)	29/32"
100-059(C)	59/64"
100-060(C)	15/16"
100-061(C)	61/64"
100-062(C)	31/32"
100-063(C)	63/64"
100-064(C)	1"



100TG Collet

## 100TG Coolant Collets Sets

100-SET-11(C)	11 Piece 100TG Coolant Collet Set: 3/8" - 1" by 1/16ths
100-SET-21(C)	21 Piece 100TG Coolant Collet Set: 3/8" - 1" by 1/32nds
100-SET-41(C)	41 Piece 100TG Coolant Collet Set: 3/8" - 1" by 1/64ths

Notes: Cutter must be inserted the full length of collet.

## 100TG Collet Sets

100-SET-08	8 Piece 100TG Collet Set: 1/8" - 1" by 1/8ths
100-SET-11	11 Piece 100TG Collet Set: 3/8" - 1" by 1/16ths
100-SET-15	15 Piece 100TG Collet Set: 1/8" - 1" by 1/16ths
100-SET-21	21 Piece 100TG Collet Set: 3/8" - 1" by 1/32nds
100-SET-23	23 Piece 100TG Collet Set: 1/16" - 3/4" by 1/32nds
100-SET-30	30 Piece 100TG Collet Set: 3/32" - 1" by 1/32nds
100-SET-41	41 Piece 100TG Collet Set: 3/8" - 1" by 1/64ths
100-SET-45	45 Piece 100TG Collet Set: 1/16" - 3/4" by 1/64ths
100-SET-59	59 Piece 100TG Collet Set: 3/32" - by 1/64ths

Notes:

- Our TG coolant collets seals up to maximum coolant pressure of 1000 psi.
- Range collapsibility is 0.004 - 0.006" for coolant collet.
- See dimensional data for TG Collets on page 192.

These patented coolant collets are designed for use with cylindrical shank tools (no flats). Cutting tool should be inserted the full length of the collet. If these conditions are not met, coolant leakage will result.

Note: Cutter must be inserted the full length of the collet.



## 100TG Collets

TG standard collets collapse approximately 1/64"

### Metric

Size Range: 4mm - 26mm

Part Number	Size
100-204	4mm
100-206	6mm
100-208	8mm
100-210	10mm
100-212	12mm
100-214	14mm
100-216	16mm
100-218	18mm
100-220	20mm
100-222	22mm
100-224	24mm
100-225	25mm
100-226	26mm

### Metric - Coolant-Thru

Size Range: 6mm - 26mm

Part Number	Size
-	-
100-206(C)	6mm
100-208(C)	8mm
100-210(C)	10mm
100-212(C)	12mm
100-214(C)	14mm
100-216(C)	16mm
100-218(C)	18mm
100-220(C)	20mm
100-222(C)	22mm
100-224(C)	24mm
100-225(C)	25mm
100-226(C)	26mm

**Notes:**

- Cutter must be inserted the full length of the collet.
- Our coolant collets seal up to a maximum coolant pressure of 1000 psi.
- Range collapsibility is 0.004 - 0.006" for coolant collet.
- See dimensional data for TG Collets on page 192.

### 100TG Collets Sets

100-SET-213-MM	13 Piece 100TG Metric Collet Set: 4mm - 26mm
----------------	----------------------------------------------



These patented coolant collets are designed for use with cylindrical shank tools (no flats). Cutting tool should be inserted the full length of the collet. If these conditions are not met, coolant leakage will result.

## TG Accessories

### 100TG Collet Rack

Part Number	Description
RACK-5C/100TG/SK25	100TG Collet Rack, 30 piece capacity



### Replacement Nut for TG Collet Chuck

Part Number	Description
50TG-NUT	50TG Nut
75TG-NUT	75TG Nut
100TG-NUT	100TG Nut
100TG-HEXNUT	100TG Hex Nut
150TG-NUT	150TG Nut



### Replacement Nut Parts for TG Collet Chuck

Part Number	Description
50TG-1	50TG Nut Bearing/Spacer Set
75TG-1	75TG Nut Bearing/Spacer Set
100TG-1	100TG Nut Bearing/Spacer Set
150TG-1	150TG Nut Bearing/Spacer Set



### Replacement Back-Up Screws for TG Collet Chuck

Part Number	Description
50TG-3	50TG Back-up screw
75TG-3	75TG Back-up screw
75TG-3C	75TG Coolant Back-up screw
100TG-3	100TG Back-up screw
100TG-3C	100TG Coolant Back-up screw
150TG-3	150TG Back-up screw
150G-3C	150TG Coolant Back-up screw



### Spanner Wrench for TG Collet Chuck

Part Number	Description
50TG-SPAN	Fits 50TG Collet Chuck Nut
75TG-SPAN	Fits 75TG Collet Chuck Nut
100TG-SPAN	Fits 100TG Collet Chuck Nut
150TG-SPAN	Fits 150TG Collet Chuck Nut



### Torque Wrench and Attachment for TG Collet Chuck

Part Number	Description
TQW-150	Torque Wrench for ER11/16/20/25/32/40 Chuck Nut
TQW-TG075(50)	TG75 Attachment for TQW-150 torque wrench
TQW-TG100(63)	TG100 Attachment for TQW-150 torque wrench
TQW-TG150(82)	TG150 Attachment for TQW-150 torque wrench





## CAT and BT DA Collet Chucks



**T.I.R.:** minimal



Drilling



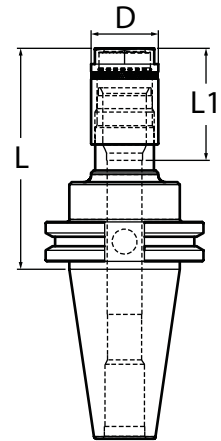
**Set-up:** quick and easy



Reaming

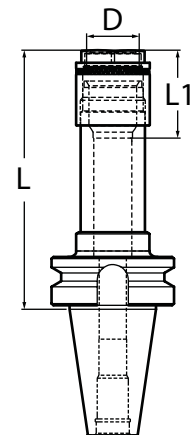
### CAT40

Part Number	Taper	Collet Series	Collet Range	L	L1	D
C4007-0100-3.50	CAT40	100DA	3/64 - 9/16"	3.50"	1.15"	1.06"
C4017-0100-6.00	CAT40	100DA	3/64 - 9/16"	6.00"	1.15"	1.06"
C4007-0180-4.00	CAT40	180DA	3/64 - 3/4"	4.00"	1.50"	1.44"
C4007-0200-3.00	CAT40	200DA	3/64 - 3/8"	3.00"	1.03"	0.86"



### BT30

Part Number	Taper	Collet Series	Collet Range	L	L1	D
B3007-0100-3.00	BT30	100DA	3/64 - 9/16"	3.00"	1.15"	1.06"
B3007-0180-3.00	BT30	180DA	3/64 - 3/4"	3.00"	1.51"	1.44"
B3007-0200-3.00	BT30	200DA	3/64 - 3/8"	3.00"	1.03"	0.86"
B3007-0300-3.00	BT30	300DA	3/64 - 1/4"	3.00"	1.04"	0.55"



*Note: For light or medium milling, we recommend using ER or TG Collet Chucks. DA Collet Chucks are not designed for milling and can crack at the nose when overtightened or radial load is applied. Product warranty does not apply against cracking of collet, toolholder, or collet nut.*



**NMTB DA Collet Chuck/DA Collet Chuck Extension**



**T.I.R.:** minimal

**Set-up:** quick and easy



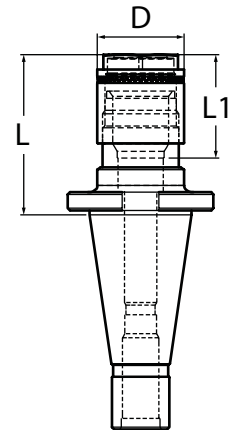
Drilling

Reaming

**NMTB 30**

Part Number	Taper	Collet Series	Collet Range	L	L1	D
N3007-0100-2.75	NMTB30	100DA	3/64-9/16"	2.75"	1.15"	1.06"
N3007-0200-2.50	NMTB30	200DA	3/64-3/8"	2.50"	1.03"	0.86"

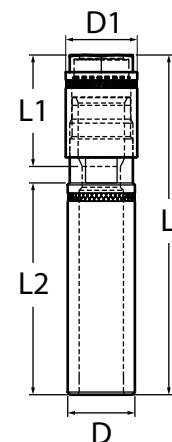
NMTB shanks are suitable for use with Erickson Quick Change spindles.



**DA Collet Chuck Extensions**

Part Number	Collet series	Collet Range	L	L1	L2	D	D1
010-EXT-100S	100DA	3/64-9/16"	4.94"	1.66"	3.00"	1"	1.06"
010-EXT-100	100DA	3/64-9/16"	7.44"	1.66"	5.50"	1"	1.06"
018-EXT-125S	180DA	3/64-3/4"	4.90"	1.83"	3.00"	1-1/4"	1.44"
018-EXT-125	180DA	3/64-3/4"	7.40"	1.83"	5.50"	1-1/4"	1.44"
020-EXT-750S	200DA	3/64-3/8"	4.67"	1.34"	3.00"	3/4"	0.86"
020-EXT-750	200DA	3/64-3/8"	7.17"	1.34"	5.50"	3/4"	0.86"
030-EXT-500S	300DA	3/64-1/4"	4.42"	1.18"	3.00"	1/2"	0.55"
030-EXT-500	300DA	3/64-1/4"	6.92"	1.18"	5.50"	1/2"	0.55"

Note: For light or medium milling, we recommend using ER or TG Collet Chucks. DA Collet Chucks are not designed for milling and can crack at the nose when overtightened or radial load is applied. Product warranty does not apply against cracking of collet, toolholder, or collet nut.



TG/DA Collet Chucks







## 300DA and 200DA Collets

DA Collets collapse approximately 1/32"

### 300DA Collets

Size Range: 3/64" - 1/4"

Part Number	Size
030-003	3/64"
030-004	1/16"
030-005	5/64"
030-006	3/32"
030-007	7/64"
030-008	1/8"
030-009	9/64"
030-010	5/32"
030-011	11/64"
030-012	3/16"
030-013	13/64"
030-014	7/32"
030-015	15/64"
030-016	1/4"

### 200DA Collets

Size Range: 3/64" - 3/8"

Part Number	Size
020-003	3/64"
020-004	1/16"
020-005	5/64"
020-006	3/32"
020-007	7/64"
020-008	1/8"
020-009	9/64"
020-010	5/32"
020-011	11/64"
020-012	3/16"
020-013	13/64"
020-014	7/32"
020-015	15/64"
020-016	1/4"
020-017	17/64"
020-018	9/32"
020-019	19/64"
020-020	5/16"
020-021	21/64"
020-022	11/32"
020-023	23/64"
020-024	3/8"



300DA Collet



200DA Collet

### 300DA Collets Sets

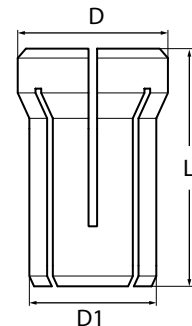
Part Number	Size
030-SET-07	7 Piece 300DA Collet Set: 1/16 - 1/4" by 1/32nds
030-SET-09	9 Piece 300DA Collet Set: 1/8 - 1/4" by 1/64ths
030-SET-13	13 Piece 300DA Collet Set: 1/16 - 1/4" by 1/64ths
030-SET-14	14 Piece 300DA Collet Set: 3/64 - 1/4" by 1/64ths

### 200DA Collets Sets

Part Number	Size
020-SET-09	9 Piece 200DA Collet Set: 1/8 - 3/8" by 1/32nds
020-SET-11	11 Piece 200DA Collet Set: 1/16 - 3/8" by 1/32nds
020-SET-17	17 Piece 200DA Collet Set: 1/8 - 3/8" by 1/64ths
020-SET-21	21 Piece 200DA Collet Set: 1/16 - 3/8" by 1/64ths

### DA Collet Dimensional Data

Style	D	D1	L	Collet Range	Nut Tightening Torque
300DA	0.375"	0.300"	1.000"	3/64-1/4"	18 ft.lbs
200DA	0.539"	0.453"	1.193"	3/64-3/8"	25 ft.lbs
100DA	0.769"	0.653"	1.441"	3/64-9/16"	35 ft.lbs
180DA	1.035"	0.873"	1.637"	3/64-3/4"	40 ft.lbs



# 100DA and 180DA Collets

DA collets collapse approximately 1/32"

## 100DA Collets

Size Range: 3/64" - 9/16"

Part Number	Size
010-003	3/64"
010-004	1/16"
010-005	5/64"
010-006	3/32"
010-007	7/64"
010-008	1/8"
010-009	9/64"
010-010	5/32"
010-011	11/64"
010-012	3/16"
010-013	13/64"
010-014	7/32"
010-015	15/64"
010-016	1/4"
010-017	17/64"
010-018	9/32"
010-019	19/64"
010-020	5/16"
010-021	21/64"
010-022	11/32"
010-023	23/64"
010-024	3/8"
010-025	25/64"
010-026	13/32"
010-027	27/64"
010-028	7/16"
010-029	29/64"
010-030	15/32"
010-031	31/64"
010-032	1/2"
010-033	33/64"
010-034	17/32"
010-035	35/64"
010-036	9/16"

Note: See dimensional data for DA collets on page 199.

## 180DA Collets

Size Range: 3/64" - 3/4"

Part Number	Size
018-003	3/64"
018-004	1/16"
018-005	5/64"
018-006	3/32"
018-007	7/64"
018-008	1/8"
018-009	9/64"
018-010	5/32"
018-011	11/64"
018-012	3/16"
018-013	13/64"
018-014	7/32"
018-015	15/64"
018-016	1/4"
018-017	17/64"
018-018	9/32"
018-019	19/64"
018-020	5/16"
018-021	21/64"
018-022	11/32"
018-023	23/64"
018-024	3/8"
018-025	25/64"
018-026	13/32"
018-027	27/64"
018-028	7/16"
018-029	29/64"
018-030	15/32"
018-031	31/64"
018-032	1/2"
018-033	33/64"
018-034	17/32"
018-035	35/64"
018-036	9/16"
018-037	37/64"
018-038	19/32"
018-039	39/64"
018-040	5/8"
018-041	41/64"
018-042	21/32"
018-043	43/64"
018-044	11/16"
018-045	45/64"
018-046	23/32"
018-047	47/64"
018-048	3/4"



100DA Collet

## 100DA Collet Sets

010-SET-08	8 Piece 100DA Collet Set: 1/8 - 9/16" by 1/16ths
010-SET-11	11 Piece 100DA Collet Set: 1/4 - 9/16" by 1/32nds
010-SET-15	15 Piece 100DA Collet Set: 1/8 - 9/16" by 1/32nds
010-SET-17	17 Piece 100DA Collet Set: 1/16 - 9/16" by 1/32nds
010-SET-21	21 Piece 100DA Collet Sets: 1/4 - 9/16" by 1/64ths
010-SET-29	29 Piece 100DA Collet Set: 1/8 - 9/16" by 1/64ths
010-SET-33	33 Piece 100DA Collet Set: 1/16 - 9/16" by 1/64ths



180DA Collet

## 180DA Collet Sets

018-SET-09	9 Piece 180DA Collet Set: 1/4 - 3/4" by 1/16ths
018-SET-17	17 Piece 180DA Collet Set: 1/4 - 3/4" by 1/32nds
018-SET-21	21 Piece 180DA Collet Set: 1/8 - 3/4" by 1/32nds
018-SET-33	33 Piece 180DA Collet Set: 1/4 - 3/4" by 1/64ths
018-SET-41	41 Piece 180DA Collet Set: 1/8 - 3/4" by 1/64ths

## DA Accessories



### Replacement Nut for DA Collet Chuck

Part Number	Description
100DA-NUT	100DA Nut
180DA-NUT	180DA Nut
200DA-NUT	200DA Nut
300DA-NUT	300DA Nut



### Replacement Nut Parts for DA Collet Chuck

Part Number	Description
100DA-1	100DA Nut Spacer
100DA-2	100DA Nut Retaining Ring
180DA-1	180DA Nut Spacer
180DA-2	180DA Nut Retaining Ring
200DA-1	200DA Nut Spacer
200DA-2	200DA Nut Retaining Ring
300DA-1	300DA Nut Spacer
300DA-2	300DA Nut Retaining Ring



### Replacement Back-up Screws for DA Collet Chuck

Part Number	Description
100DA-3	Back-up screw for all CT, BT, NMTB 100DA Chucks
100DA-4	Back-up screw for 100DA Chuck Extensions
180DA-3	Back-up screw for all CT, BT, NMTB 180DA Chucks
180DA-4	Back-up screw for 180DA Collet Chuck Extensions
200DA-3	Back-up screw for all 40-taper 200DA Collet Chucks
200DA-4	Back-up screw for 200DA Collet Chuck Extensions
200DA-5	Back-up screw for BT30 & BT35 200DA Collet Chucks
300DA-3	Back-up screw for all CT, BT, NMTB, 300DA Collet Chucks
300DA-4	Back-up screw for 300DA Collet Chuck Extensions



## SEE THE DIFFERENCE IN TORQUE IN UNDER 10 MINUTES:

### Lyndex-Nikken CAT40 ER32 High Torque Collet Chuck

Collet Size: 1/2" collet  
Tool Shank Size: 1/2"  
Tightening Torque: 85 ft-lbs.



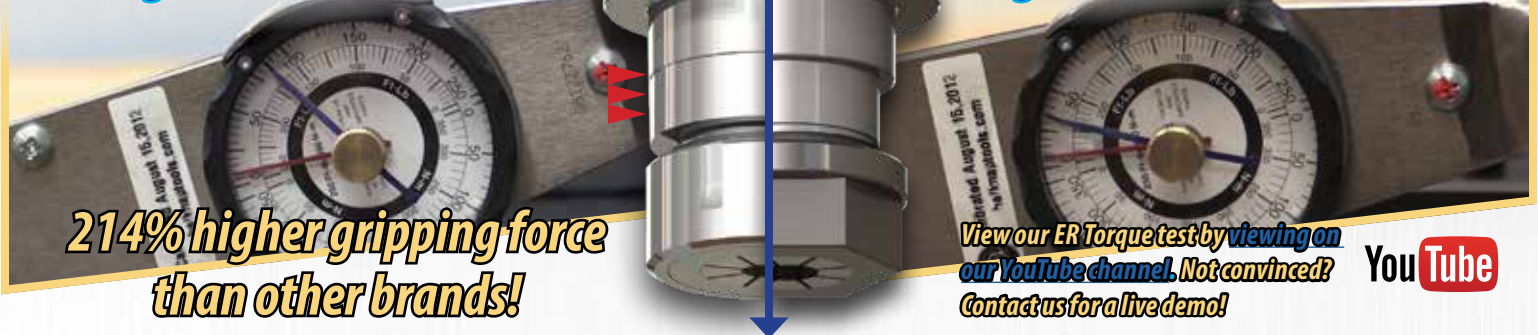
**Cutting tool GRIPS at 75 ft-lbs.**

### Other Brands CAT40 ER32 Collet Chuck

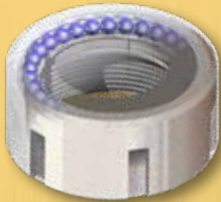
Collet Size: 1/2" collet  
Tool Shank Size: 1/2"  
Tightening Torque: 85 ft-lbs.



**Cutting tool SLIPS at 35 ft-lbs.**



### Benefits of Higher Gripping Force



- Precision ground bearing nut for additional gripping force\* (\*nut included as standard)
- Machine with higher chip load and reduce cycle time
- Reduction in end mill pulling reduces scrapping parts
- Eliminate over tightening that can lead to collet damage and excessive run-out
- Better overall cutting condition

**To schedule a demo, contact your Lyndex-Nikken  
Regional Sales Manager OR send an e-mail to:  
solutionselling@lyndexnikken.com**



Phone: (847) 367-4800



Email: sales@lyndexnikken.com



www.lyndexnikken.com

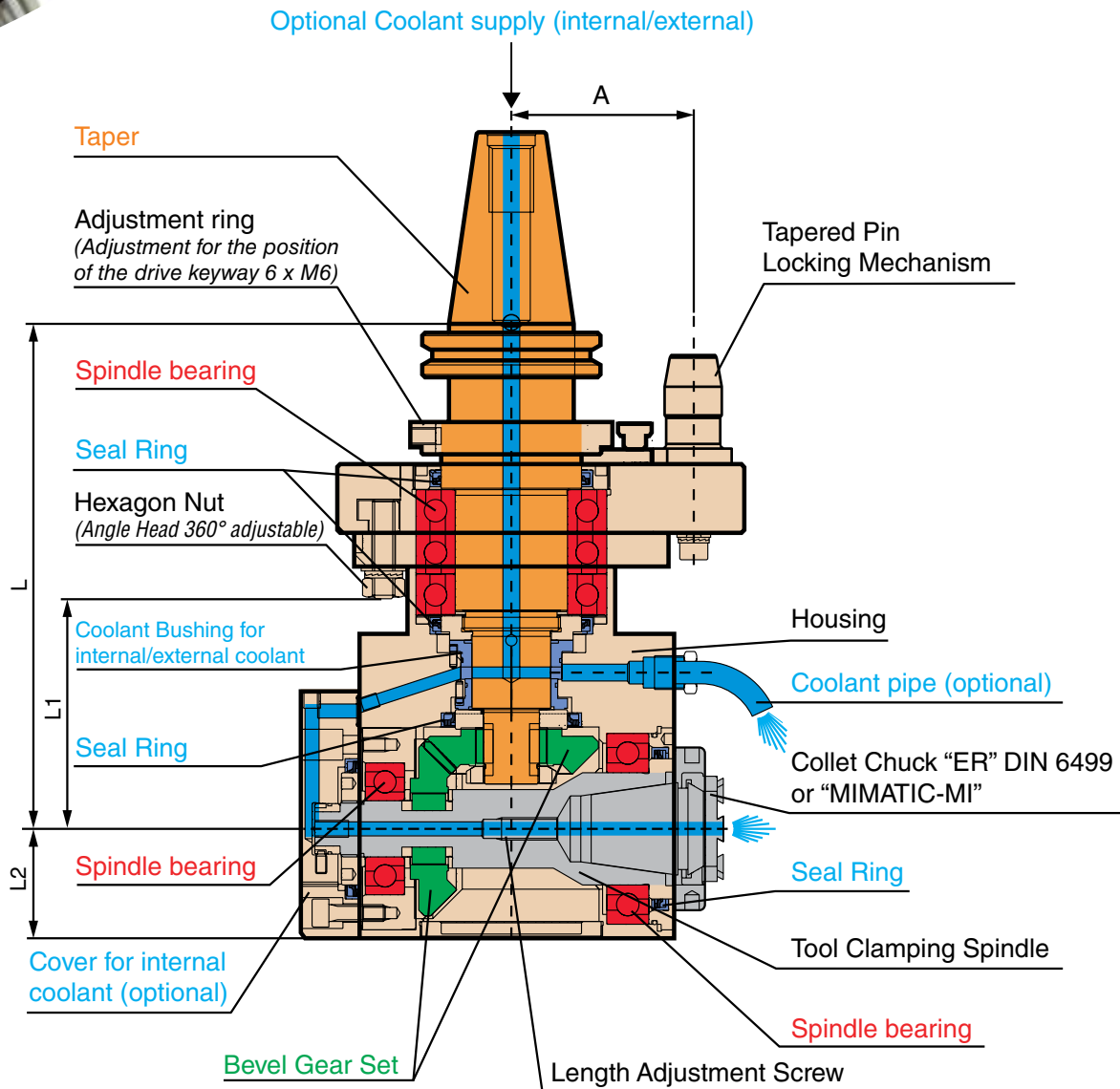
Connect with us on our  
social media channels!





Angle Heads

## Technical Features



Our Angle Heads are equipped with hardened and ground gears and collet shafts. Units are also fitted with high-precision angular contact bearings, assuring extreme rigidity and accuracy. Compact designs maintain accurate spindle and tool centerline alignment while minimizing tool overhang - accuracy is maintained throughout the machining process from plane to plane.

### Recessed Collet Seat



With our collet seat recessed into the body of the Angle Head, rigidity is optimized while maintaining a compact design.

### High Precision Assembly



Our Angle Heads are assembled with high precision, P4 quality spindle bearings that are stabilized for high speeds up to 15,000 RPM and high torques up to 110 ft-lbs. The spiral beveled gears allow for high rigidity and smooth machining operations.

## Types of Fixed Angle Heads



Nikken Right Angle Heads



Standard Right Angle Heads



Offset Type Right Angle Heads



Economy 40 Taper Right Angle Heads



Slim Type Right Angle Heads



Twin Spindle Angle Heads



Universal Flexheads - Internal Coolant



Quick Change Right Angle Heads  
*(Attachments sold separately)*



Nikken Spindle Speeder  
*(up to 20,000 RPM)*



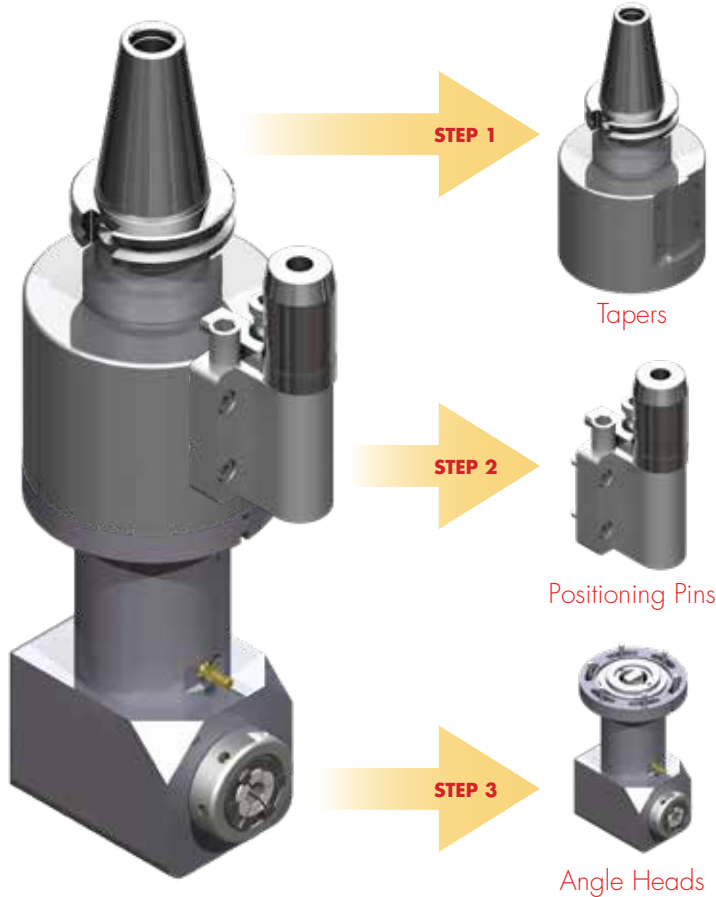
All Angle Heads come with a tapered positioning pin as standard



A flat pin can be made available upon request

## Modular Angle Head Assembly

Construct a Modular Angle Head in 3 Easy Steps!



### Modular Angle Head System Features

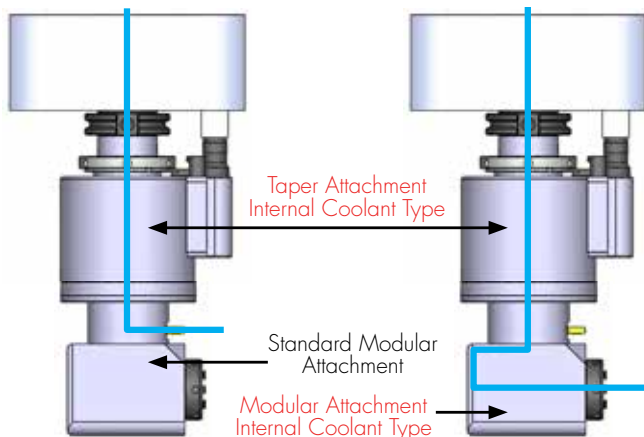
- Flexibility for a multitude of applications
- Adaptable with a wide variety of machine tapers
- Bolt style mounting system between taper and modular attachment for added rigidity
- Cost effective solution when Angle Heads are required on machines with different tapers
- 360 degree body and head rotation
- Tapered positioning pin for alignment accuracy

### Modular Attachment Features

- Slim styles for inner bore work
- Stubby styles for added milling rigidity
- Extended Length styles for added reach
- Quick Change system for operations involving multiple tools
- Double output styles eliminate the necessity for two heads
- NSK output styles for small internal engraving and light duty drilling

## Coolant Configurations

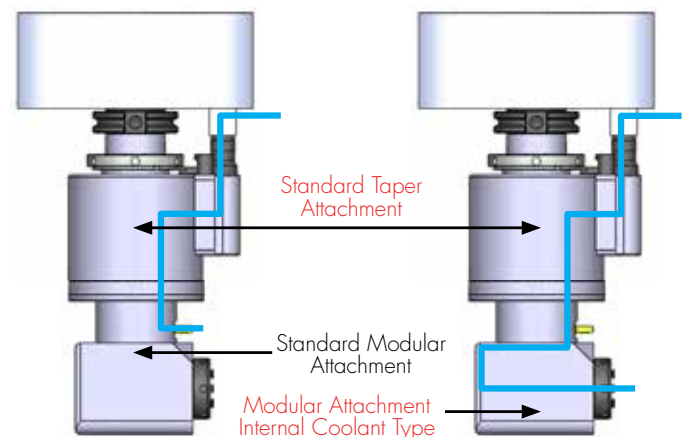
### Coolant Supply Through The Spindle



External Coolant

Internal Coolant

### Coolant Supply Through The Positioning Block



External Coolant

Internal Coolant



## Modular Angle Head System

Flexibility for Any Application!

### TAPERS



### TAPER EXTENSION



### MODULAR ATTACHMENTS



ER11 Adapter

ER11 Adapter Slim

ER11 Adapter Long

ER16 Adapter

ER16 Adapter Slim

ER16 Adapter Long

ER20 Adapter



ER20 Adapter Slim



ER20 Adapter Long



ER25 Adapter



ER25 Adapter Slim



ER25 Adapter Long



ER16 Double Output



ER25 Double Output



NSK Adapter



M132 Quick Change



M132 Quick Change Long



M140 Quick Change

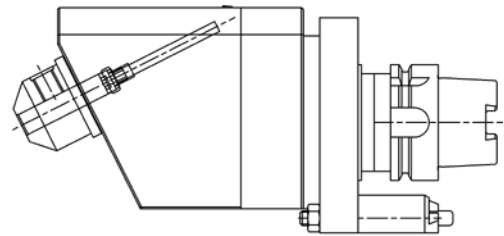
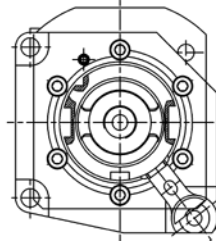


M140 Long Quick Change

## High Productivity Angle Heads

### Fixed Angle Heads

Fixed Angle Heads ensures an accurate angle without the need to adjust or verify the cutting angle. Ideal for families of parts with a common fixed angle or for high production where optimized rigidity is required to reduce cycle times.



### Multi-Spindle Drill Heads

Ideal for high production operations where drilling speed and accuracy must be optimized; Lyndex-Nikken Multi Spindle units can be designed for all materials, multiple drill sizes, and a varying number of output spindles to match your application.



### Special Angle Heads

From Gear Hobbing, Deep Bore Milling, High Torque Shell Mill Angle Heads, to High Speed Spindle Multiplier Angle Heads, we have your applications covered. Contact us for more details!



Saw Blade/Arbor Milling Head with additional support pins



Heavy Duty Offset Arbor Milling Head for diesel engine blocks



ER32 1-meter Extended Length Modular Tool with internal coolant



ER11 Extended Length Slim Line Angle Head for ID pocket milling

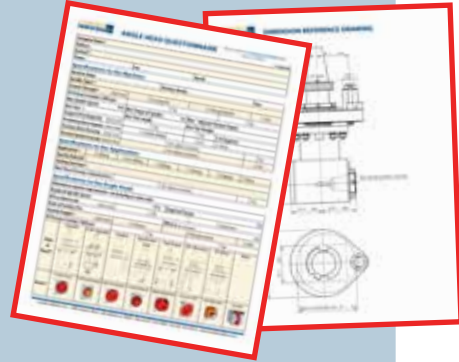
## Engineering Support

Complete Engineering Support from Start to Finish!



### Selecting the best Angle Head

- Fill out our Angle Head Questionnaire.
- Provide dimensional and material information about your part via 3D model and/or CAD drawing.
- Additional information about the machine, current processes and cycle times are gathered.



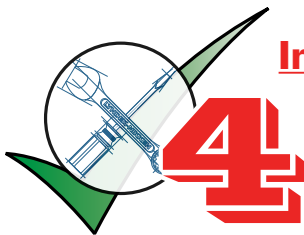
### Verification of Clearance and Application

- 3D models of Angle Heads are used to verify internal motion in space-critical locations.
- Applications are qualified by determining torque calculations of the machining operation, and is verified again that the Angle Head can sustain the desired process.



### Automatic Tool Change & Weight Confirmation

- ATC and weight clearances are confirmed.
- 3D printed Angle Heads and positioning blocks are available to ensure 100% dimensional accuracy and guarantees clearance while reducing cost and risk to the customer.



### Installation & Additional Support

- Additional support for positioning block design and integration of the unit are also available.
- Positioning blocks are made to specifications, ensuring that the Angle Head is positioned and locked into place during final installation.



SPECIAL CUSTOM  
POSITIONING BLOCK

**Why risk your investment? We have you covered from design to installation!**



**Receive in-depth training on the cutting edge solutions of our products to help maximize your profits and increase productivity.**

**IN-DEPTH TRAINING AND LIVE DEMOS**

**SHRINK FIT**



**ADVANCED TOOLHOLDERS**



**POWER CHUCKS  
& QUICK CHANGE FLEX COLLETS**



**LIVE TOOLING**



**ANGLEHEADS**

**To schedule a demo, contact your Lyndex-Nikken Regional Sales Manager  
OR send an e-mail to: [solutionselling@lyndexnikken.com](mailto:solutionselling@lyndexnikken.com)**



Phone: (847) 367-4800



Email: [sales@lyndexnikken.com](mailto:sales@lyndexnikken.com)



[www.lyndexnikken.com](http://www.lyndexnikken.com)

Connect with us on our social media channels!





Stub & Blank

**STUB MILL HOLDERS  
AND BLANK BARS**



## Stub Mill Holder Features

Our Stub Mill Holders feature hardened and ground tapers, location shafts and arbor spacers to ensure clamping of cutting tools and rigid machining capability.

Taper ground to AT3 or better to ensure 80% taper contact

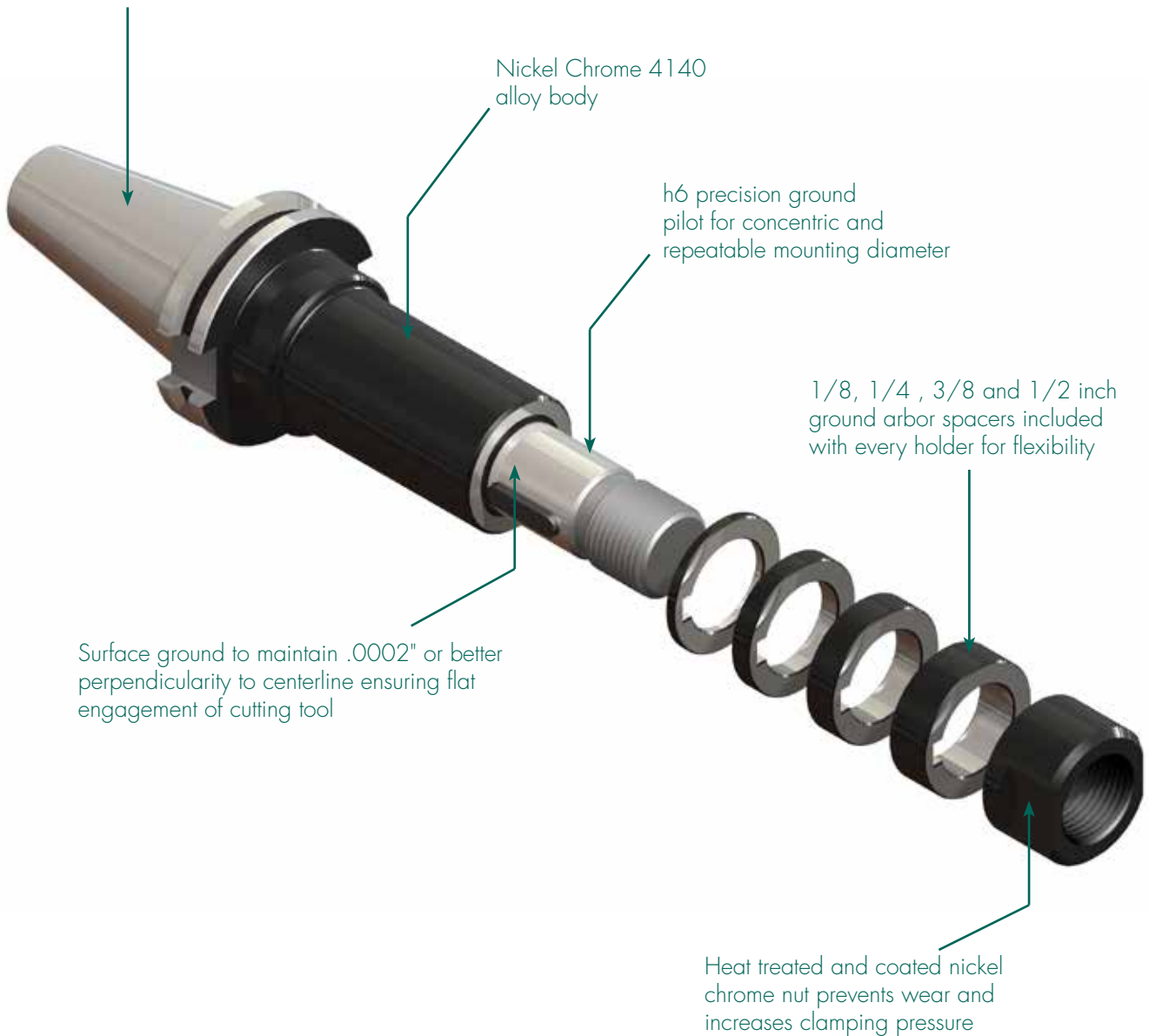
Nickel Chrome 4140 alloy body

h6 precision ground pilot for concentric and repeatable mounting diameter

1/8, 1/4, 3/8 and 1/2 inch ground arbor spacers included with every holder for flexibility

Surface ground to maintain .0002" or better perpendicularity to centerline ensuring flat engagement of cutting tool

Heat treated and coated nickel chrome nut prevents wear and increases clamping pressure



## CAT and BT Stub Mill Holders



**T.I.R.:** < 0.0002" run out along pilot



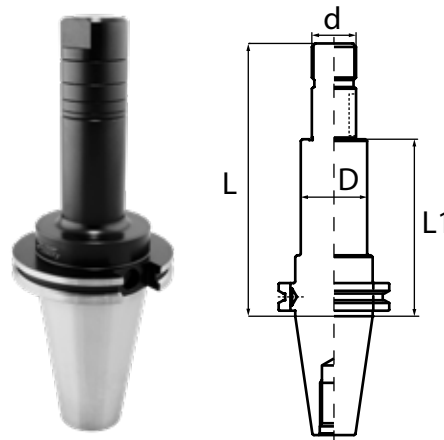
**Set-up:** quick and easy

- Taper ground to AT3 or better to ensure 80% taper contact
- 1/8", 1/4", 3/8" and 1/2" ground arbor spacers included with every holder
- h6 precision ground pilot for concentric and repeatable mounting diameter

### CAT40/50

Part Number	Taper	d	L	D	L1	Key Size
C4002-1000-6.17	CT40	1"	6.17"	1.50"	4.00"	1/4"
C4002-1250-6.29	CT40	1-1/4"	6.29"	1.75"	4.00"	5/16"
C5002-1000-6.17	CT50	1"	6.17"	1.50"	4.00"	1/4"
C5002-1250-6.28	CT50	1-1/4"	6.28"	1.75"	4.00"	5/16"
C5002-1500-6.60	CT50	1-1/2"	6.60"	2.12"	4.00"	3/8"

Note: 1 pcs each: 1/8", 1/4", 3/8" and 1/2" arbor spacers and securing nut included as standard with all listed toolholders.



### Replacement Nut for Stub Mill Holders

Part Number	Description	Length of Nut
3/4-STUBNUT	3/4"	18mm (0.70")
1-STUBNUT	1"	22.5mm (0.88")
1-1/4-STUBNUT	1-1/4"	22.5mm (0.88")
1-1/2-STUBNUT	1-1/2"	33.5mm (1.31")



### Replacement Spacer for Stub Mill Holders

Part Number	Description
SP3-3/4-1/8	1/8" Thick Spacer for 3/4" OD Holder
SP3-3/4-1/4	1/4" Thick Spacer for 3/4" OD Holder
SP3-3/4-3/8	3/8" Thick Spacer for 3/4" OD Holder
SP3-3/4-1/2	1/2" Thick Spacer for 3/4" OD Holder
SP1-1-1/8	1/8" Thick Spacer for 1" OD Holder
SP1-1-1/4	1/4" Thick Spacer for 1" OD Holder
SP1-1-3/8	3/8" Thick Spacer for 1" OD Holder
SP1-1-1/2	1/2" Thick Spacer for 1" OD Holder
SP1-1-1/4-1/8	1/8" Thick Spacer for 1-1/4" OD Holder
SP1-1-1/4-1/4	1/4" Thick Spacer for 1-1/4" OD Holder
SP1-1-1/4-3/8	3/8" Thick Spacer for 1-1/4" OD Holder
SP1-1-1/4-1/2	1/2" Thick Spacer for 1-1/4" OD Holder
SP1-1-1/2-1/8	1/8" Thick Spacer for 1-1/2" OD Holder
SP1-1-1/2-1/4	1/4" Thick Spacer for 1-1/2" OD Holder
SP1-1-1/2-3/8	3/8" Thick Spacer for 1-1/2" OD Holder
SP1-1-1/2-1/2	1/2" Thick Spacer for 1-1/2" OD Holder



## CAT and BT Blank Bars

- Taper ground to AT3 or better to ensure 80% taper contact
- Suitable for all applications – even deep boring
- Ground and hardened surfaces except projection of the toolholder



**TIR:** < 0.0002" run out along pilot



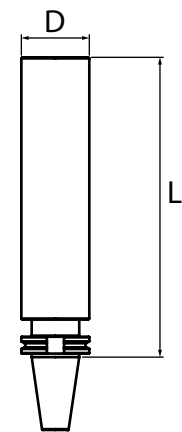
**Set-up:** quick and easy



**Coolant-Thru:** opt. modification

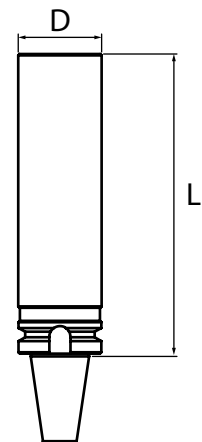
### CAT40/50

Part Number	Taper	L	D
C4008-0013	CT40	13.00"	2.50"
C5008-0013	CT50	13.00"	3.88"



### BT30/40/50

Part Number	Taper	L	D
B3008-0008	BT30	8.00"	2.25"
B4008-0013	BT40	13.00"	2.50"
B5008-0013	BT50	13.00"	3.88"



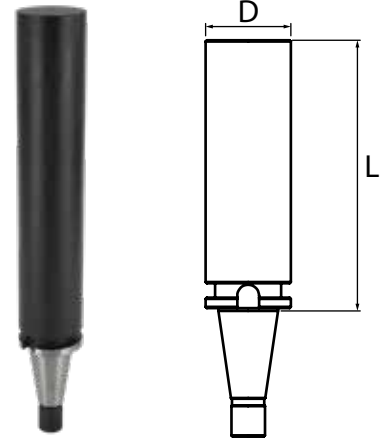


## NMTB and HSK Blank Bars

### NMTB40/50

Part Number	Taper	L	D
N4008-0013	NMTB40	13.00"	2.50"
N5008-0013	NMTB50	13.00"	3.88"

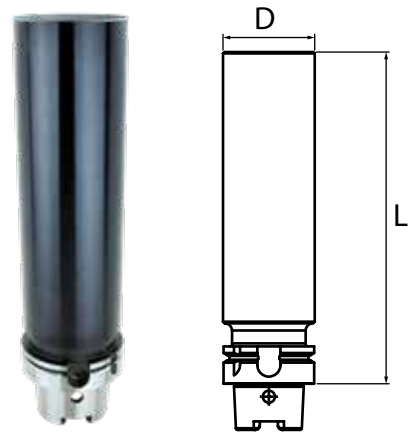
NMTB shanks are suitable for use with Erickson Quick Change spindles.



### HSK 100A

Part Number	Taper	L	D
HSK100A-BLANK-13.00	HSK100A	13.00"	3.75"

Note: Coolant tube and coolant tube wrench are not included.  
Other HSK sizes are available as specials. Please contact us for more information.



### Coolant Tube Wrench for HSK Holders

Part Number	Description
HSK100-WRENCH	Wrench for HSK100 Coolant Tube

Coolant tube wrenches are needed to remove or install coolant tubes in HSK toolholders.



### Coolant Tube for HSK Holders

Part Number	Description
HSK100-TUBE	Coolant Tube for HSK100 Holders



# YOUR NEW WORKHOLDING SOLUTION

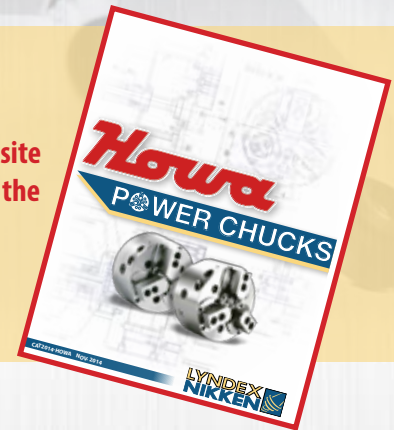
**LYNDEX  
NIKKEN**  
HYDRAULIC POWER CHUCKS

**HIGH QUALITY  
HIGH DURABILITY  
HIGH PRECISION**

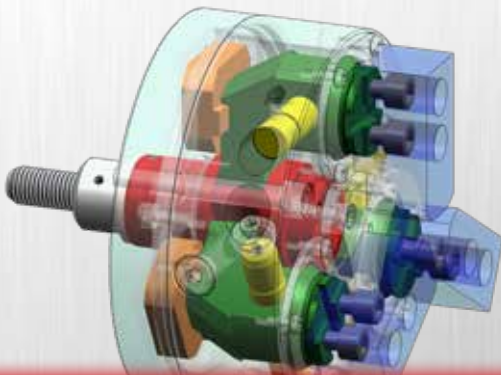
**A wide selection of  
2-Jaw, 3-Jaw and  
Specialty chucks  
designed to handle  
any workholding  
challenge!**



Visit our website  
to download the  
catalog!



## **HYDRAULIC POWER CHUCK FEATURES**



- Low maintenance, High performance
- Capable of clamping over workpieces with uneven surfaces and a large range of diameters
- Maintains powerful clamping at high RPM
- Large through hole bores available for bar feeding
- Fully sealed structure reduces frequent greasing and prevents coolant leaks



Phone: (847) 367-4800



Email: [sales@lyndexnikken.com](mailto:sales@lyndexnikken.com)



[www.lyndexnikken.com](http://www.lyndexnikken.com)

Connect with us on our  
social media channels!





R8/5C/3J/16C



## R8 Collets

All R8 Collets are made with hardened threaded bushing in the back for long life. R8 Collets do not collapse.

Part Number (Inch)	Size	Part Number (Inch)	Size	Part Number (Inch)	Size
800-004	1/16"	800-026	13/32"	800-048	3/4"
800-006	3/32"	800-028	7/16"	800-050	25/32"
800-008	1/8"	800-030	15/32"	800-052	13/16"
800-010	5/32"	800-032	1/2"	800-054	27/32"
800-012	3/16"	800-034	17/32"	800-056	7/8"
800-014	7/32"	800-036	9/16"	800-064*	1"
800-016	1/4"	800-038	19/32"	860-001S	R8 Steel Emergency Collet: 1/16" pilot hole
800-018	9/32"	800-040	5/8"		
800-020	5/16"	800-042	21/32"		
800-022	11/32"	800-044	11/16"		
800-024	3/8"	800-046	23/32"		

Note: \*Cannot be used with notches, flats, or Weldon Shank. We recommend using End Mill Holders. Step depth approximately 3/4".

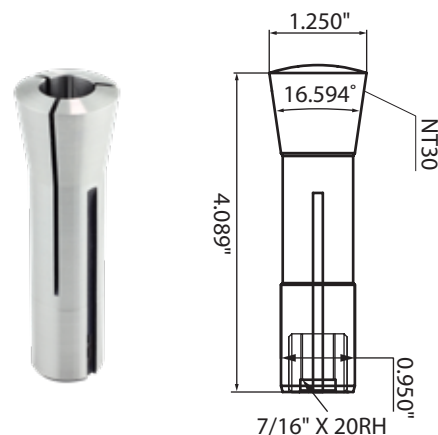
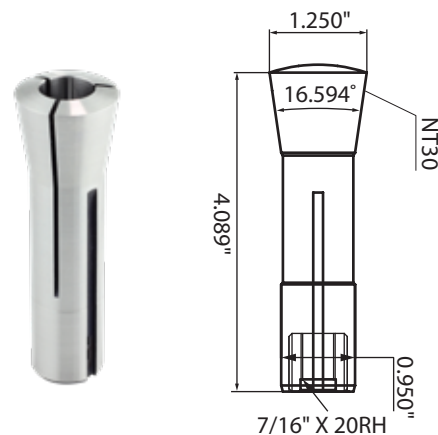
Part Number (Metric)	Size	Part Number (Metric)	Size	Part Number (Metric)	Size
820-003	3mm	820-009	9mm	820-015	15mm
820-004	4mm	820-010	10mm	820-016	16mm
820-005	5mm	820-011	11mm	820-017	17mm
820-006	6mm	820-012	12mm	820-018	18mm
820-007	7mm	820-013	13mm	820-019	19mm
820-008	8mm	820-014	14mm	820-020	20mm

## R8 Collet Sets

Part Number	Description	Size Range
810-SET-06	6 Piece R8 Collet Set	1/8" - 3/4" by 1/8ths
810-SET-08	8 Piece R8 Collet Set	1/8" - 1" by 1/8ths
810-SET-11	11 Piece R8 Collet Set	1/8" - 3/4" by 1/16ths
810-SET-12	12 Piece R8 Collet Set	1/8" - 3/4" by 1/16ths + 7/8"
810-SET-13	13 Piece R8 Collet Set	1/8" - 7/8" by 1/16ths
810-SET-14	14 Piece R8 Collet Set	1/16"-7/8" by 1/16ths
810-SET-21	21 Piece R8 Collet Set	1/8" - 3/4" by 1/32nds
810-SET-23	23 Piece R8 Collet Set	1/16" - 3/4" by 1/32nds
810-SET-25	25 Piece R8 Collet Set	1/8" - 7/8" by 1/32nds
810-SET-27	27 Piece R8 Collet Set	1/16" - 7/8" by 1/32nds
820-SET-18-MM	18 Piece R8 Metric Collet Set	3 - 20mm by 1mm

## R8 Collet Rack

Part Number	Description
RACK-R8	Metal Rack, holds 24 piece R8 Collets or R8 Chucks



## Accuracy

Size Range (Inch)	T.I.R.
1/16" - 3/8"	0.0007
13/32" - 1"	0.0011
Size Range (Metric)	T.I.R.
3 - 10 mm	0.0007
11 - 20mm	0.0011



## 5C Collets

All 5C collets (except 5C Step Collets) have external and internal threads.

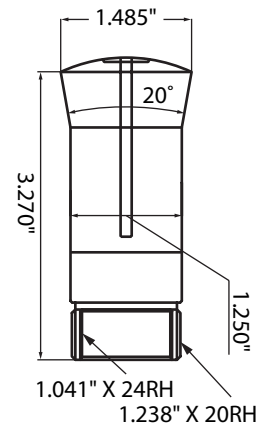
### 5C Round Collets

Part Number (Inch)	Size	Part Number (Inch)	Size	Part Number (Inch)	Size
500-003	3/64"	500-028	7/16"	500-053	53/64"
500-004	1/16"	500-029	29/64"	500-054	27/32"
500-005	5/64"	500-030	15/32"	500-055	55/64"
500-006	3/32"	500-031	31/64"	500-056	7/8"
500-007	7/64"	500-032	1/2"	500-057	57/64"
500-008	1/8"	500-033	33/64"	500-058	29/32"
500-009	9/64"	500-034	17/32"	500-059	59/64"
500-010	5/32"	500-035	35/64"	500-060	15/16"
500-011	11/64"	500-036	9/16"	500-061	61/64"
500-012	3/16"	500-037	37/64"	500-062	31/32"
500-013	13/64"	500-038	19/32"	500-063	63/64"
500-014	7/32"	500-039	39/64"	500-064	1"
500-015	15/64"	500-040	5/8"	500-065*	1-1/64"
500-016	1/4"	500-041	41/64"	500-066*	1-1/32"
500-017	17/64"	500-042	21/32"	500-067*	1-3/64"
500-018	9/32"	500-043	43/64"	500-068*	1-1/16"
500-019	19/64"	500-044	11/16"	500-069*	1-5/64"
500-020	5/16"	500-045	45/64"	500-070*	1-3/32"
500-021	21/64"	500-046	23/32"	500-071*	1-7/64"
500-022	11/32"	500-047	47/64"	500-072*	1-1/8"
500-023	23/64"	500-048	3/4"	560-001B	5C Brass collet has 1/16" pilot hole
500-024	3/8"	500-049	49/64"	560-001S	5C Steel emergency collet has 1/16" pilot hole and hardened threads
500-025	25/64"	500-050	25/32"		
500-026	13/32"	500-051	51/64"		
500-027	27/64"	500-052	13/16"		

Note: \*Collet has stepped internal diameter and cannot be used for bar feed work. Step depth approximately 1.60"

Part Number (Metric)	Size	Part Number (Metric)	Size	Part Number (Metric)	Size
520-003	3mm	520-011	11mm	520-019	19mm
520-004	4mm	520-012	12mm	520-020	20mm
520-005	5mm	520-013	13mm	520-021	21mm
520-006	6mm	520-014	14mm	520-022	22mm
520-007	7mm	520-015	15mm	520-023	23mm
520-008	8mm	520-016	16mm	520-024	24mm
520-009	9mm	520-017	17mm	520-025	25mm
520-010	10mm	520-018	18mm	520-026*	26mm

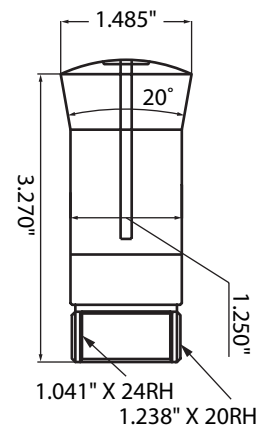
Note: \*Collet has stepped internal diameter and cannot be used for bar feed work. Step depth approximately 1.60"



### Accuracy

Size Range (Inch)	T.I.R
3/64" - 25/64"	0.0008
13/32" - 45/64"	0.0011
23/32" - 1.1/8"	0.0015

Size Range (Metric)	T.I.R
3 - 10mm	0.0008
11 - 18mm	0.0011
19 - 26mm	0.0015



R8/5C/3J/16C

## 5C Collets

All 5C collets (except 5C Step Collets) have external and internal threads.

### 5C Collet Sets

Part Number	Description	Size Range
510-SET-08	8 Piece 5C Collet Set	1/8" - 1" by 1/8ths
510-SET-09	9 Piece 5C Collet Set	1/8" - 1-1/8" by 1/8ths
510-SET-09S	9 Piece 5C Collet Set	1/16" + 1/8" - 1" by 1/8ths
510-SET-15	15 Piece 5C Collet Set	1/8" - 1" by 1/16ths
510-SET-16	16 Piece 5C Collet Set	1/8" - 1-1/16" by 1/16ths
510-SET-16S	16 Piece 5C Collet Set	1/16" - 1" by 1/16ths
510-SET-17	17 Piece 5C Collet Set	1/16" - 1-1/16" by 1/16ths
510-SET-18	18 Piece 5C Collet Set	1/16" - 1-1/8" by 1/16ths
510-SET-24-MM	24 Piece 5C Collet Set, Metric	3.0 - 26.0mm x 1.0mm
510-SET-29	29 Piece 5C Collet Set	1/8" - 1" by 1/32nds
510-SET-31	31 Piece 5C Collet Set	1/8" - 1-1/16" by 1/32nds
510-SET-31S	31 Piece 5C Collet Set	1/16" - 1" by 1/32nds
510-SET-33	33 Piece 5C Collet Set	1/16" - 1-1/16" by 1/32nds
510-SET-35	35 Piece 5C Collet Set	1/16" - 1-1/8" by 1/32nds
510-SET-61	61 Piece 5C Collet Set	1/8" - 1-1/16" by 64ths
510-SET-61S	61 Piece 5C Collet Set	1/16" - 1" by 64ths
510-SET-65	65 Piece 5C Collet Set	1/8" - 1-1/8" by 64ths
510-SET-65S	65 Piece 5C Collet Set	1/16" - 1-1/16" by 64ths
510-SET-69	69 Piece 5C Collet Set	1/16" - 1-1/8" by 64ths
580-SET-07-HEX	7 Piece 5C Hex Collet Set	1/8" - 7/8" by 1/8ths
580-SET-13-HEX	13 Piece 5C Hex Collet Set	1/8" - 7/8" by 1/16ths
580-SET-06-SQ	6 Piece 5C Square Collet Set	1/8" - 3/4" by 1/8ths
580-SET-11-SQ	11 Piece 5C Square Collet Set	1/8" - 3/4" by 1/16ths

### Accuracy (For 5C Hex & Square)

Size Range	T.I.R
1/8" - 11/16"	0.0025
3/4" - 7/8"	0.0031

### 5C Square Collets

Part Number (Inch)	Size
540-008	1/8"
540-012	3/16"
540-016	1/4"
540-020	5/16"
540-024	3/8"
540-028	7/16"
540-032	1/2"
540-036	9/16"
540-040	5/8"
540-044	11/16"
540-048	3/4"



### 5C Step Collets

Part Number (Inch)	Size
550-002	2"
550-003	3"
550-004	4"
550-005	5"
550-006	6"



Steps Collets have a soft face for easy machining while the 5C collet portion is hardened. 5C collet portion has external threads only to engage into the collet draw bar (no ID threads).

### 5C Hex Collets

Part Number (Inch)	Size
530-008	1/8"
530-012	3/16"
530-016	1/4"
530-020	5/16"
530-024	3/8"
530-028	7/16"
530-032	1/2"
530-036	9/16"
530-040	5/8"
530-044	11/16"
530-048	3/4"
530-052	13/16"
530-056	7/8"



R8/5C/3J/16C

## 5C Collet Accessories

### 5C Collet Stops

Part Number	Description
570-ADJ	Adjustable Threaded Collet Stop
570-USA	Non-Threaded Depth Retainer Collet Stop



570-ADJ



570-USA

### 5C Collet Blocks

Part Number	Description
570-HEX	Hex Block with Tightening Ring
570-SQUARE	Square Block with Tightening Ring
570-CLOSE	Quick Closer
570-RING	Replacement Tightening Ring (ring only)
570-BLOCK	Complete Set (all of the above)



570-HEX



570-SQUARE



570-CLOSE

### 5C Collet Rack

Part Number	Description
RACK-5C/100TG/SK25	Metal Rack holds 30 pieces 5C, 100TG or SK25 Collets



### 5C Collet Wrench

Part Number	Description
5C-WRENCH	5C Collet Wrench



## 3J Collets

### 3J Round Collets

Part Number (Inch)	Size	Part Number (Inch)	Size
300-004	1/16"	300-043	43/64"
300-005	5/64"	300-044	11/16"
300-006	3/32"	300-045	45/64"
300-007	7/64"	300-046	23/32"
300-008	1/8"	300-047	47/64"
300-009	9/64"	300-048	3/4"
300-010	5/32"	300-049	49/64"
300-011	11/64"	300-050	25/32"
300-012	3/16"	300-051	51/64"
300-013	13/64"	300-052	13/16"
300-014	7/32"	300-053	53/64"
300-015	15/64"	300-054	27/32"
300-016	1/4"	300-055	55/64"
300-017	17/64"	300-056	7/8"
300-018	9/32"	300-057	57/64"
300-019	19/64"	300-058	29/32"
300-020	5/16"	300-059	59/64"
300-021	21/64"	300-060	15/16"
300-022	11/32"	300-061	61/64"
300-023	23/64"	300-062	31/32"
300-024	3/8"	300-063	63/64"
300-025	25/64"	300-064	1"
300-026	13/32"	300-068	1-1/16"
300-027	27/64"	300-072	1-1/8"
300-028	7/16"	300-076	1-3/16"
300-029	29/64"	300-080	1-1/4"
300-030	15/32"	300-084	1-5/16"
300-031	31/64"	300-088	1-3/8"
300-032	1/2"	300-092	1-7/16"
300-033	33/64"	300-096	1-1/2"
300-034	17/32"	300-100	1-9/16"
300-035	35/64"	300-104	1-5/8"
300-036	9/16"	300-108	1-11/16"
300-037	37/64"	300-112	1-3/4"
300-038	19/32"		
300-039	39/64"		
300-040	5/8"	360-001S*	Steel Emergency Collet has 1/16" pilot
300-041	41/64"		
300-042	21/32"		

Note: Round collets have external threads only.

\* Max Bore ø: Round: 1.3/4"  
Square: 1.1/2"  
Hex: 1.1/4"



### Accuracy

Size Range	T.I.R
1/16" - 25/64"	0.0008
13/32" - 45/64"	0.0011
23/32" - 1.3/4"	0.0015

### 3J Collet Set

Part Number	Description	Size Range
300-SET-08	8 Piece 3J Collet Set	1/8" - 1" by 1/8ths
300-SET-18	18 Piece 3J Collet Set	1/16" - 1.1/8" by 1/16ths
300-SET-29	29 Piece 3J Collet Set	1/8" - 1" by 1/32nds
300-SET-32	32 Piece 3J Collet Set	1/16" - 1.1/16" by 1/32nds

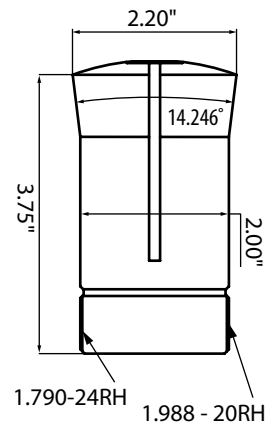


## 3J Collets

### 3J Hex Collets

Part Number (Inch)	Size	Part Number (Inch)	Size
330-016	1/4"	330-060	15/16"
330-020	5/16"	330-064	1"
330-024	3/8"	330-068	1-1/16"
330-028	7/16"	330-072	1-1/8"
330-032	1/2"	330-076	1-3/16"
330-036	9/16"	330-080	1-1/4"
330-040	5/8"	330-084	1-5/16"
330-044	11/16"	330-088	1-3/8"
330-048	3/4"	330-092	1-7/16"
330-052	13/16"	330-096	1-1/2"
330-056	7/8"		

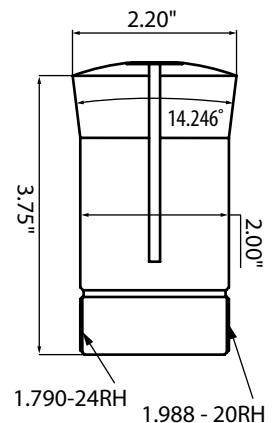
Note: Hex collets have ID threads



### 3J Square Collets

Part Number (Inch)	Size	Part Number (Inch)	Size
340-016	1/4"	340-052	13/16"
340-020	5/16"	340-056	7/8"
340-024	3/8"	340-060	15/16"
340-028	7/16"	340-064	1"
340-032	1/2"	340-068	1-1/16"
340-036	9/16"	340-072	1-1/8"
340-040	5/8"	340-076	1-3/16"
340-044	11/16"	340-080	1-1/4"
340-048	3/4"		

Note: Square collets have ID threads



### Accuracy (For 3J Hex & Square)

Size Range	T.I.R
1/4" - 11/16"	0.0025
3/4" - 1-1/2"	0.0031

### 3J Collet Stop

Part Number	Description
370-USA	Threaded Depth Retainer 3J Collet Stop
370-ADJ	3J Hex and Square Collet Stop (for use with Collets with Internal Threads)



### 3J Collet Wrench

Part Number	Description
3J-WRENCH	Wrench for 3J Round and Square Collets



R8/5C/3J/16C

## 16C Collets

### 16C Round Collets

Part Number (Inch)	Size	Part Number (Inch)	Size
160-004	1/16"	160-041	41/64"
160-005	5/64"	160-042	21/32"
160-006	3/32"	160-043	43/64"
160-007	7/64"	160-044	11/16"
160-008	1/8"	160-045	45/64"
160-009	9/64"	160-046	23/32"
160-010	5/32"	160-047	47/64"
160-011	11/64"	160-048	3/4"
160-012	3/16"	160-049	49/64"
160-013	13/64"	160-050	25/32"
160-014	7/32"	160-051	51/64"
160-015	15/64"	160-052	13/16"
160-016	1/4"	160-053	53/64"
160-017	17/64"	160-054	27/32"
160-018	9/32"	160-055	55/64"
160-019	19/64"	160-056	7/8"
160-020	5/16"	160-057	57/64"
160-021	21/64"	160-058	29/32"
160-022	11/32"	160-059	59/64"
160-023	23/64"	160-060	15/16"
160-024	3/8"	160-061	61/64"
160-025	25/64"	160-062	31/32"
160-026	13/32"	160-063	63/64"
160-027	27/64"	160-064	1"
160-028	7/16"	160-068	1-1/16"
160-029	29/64"	160-072	1-1/8"
160-030	15/32"	160-076	1-3/16"
160-031	31/64"	160-080	1-1/4"
160-032	1/2"	160-084	1-5/16"
160-033	33/64"	160-088	1-3/8"
160-034	17/32"	160-092	1-7/16"
160-035	35/64"	160-096	1-1/2"
160-036	9/16"	160-100	1-9/16"
160-037	37/64"	160-104	1-5/8"
160-038	19/32"		
160-039	39/64"	166-001S*	Steel Emergency Collet has 1/16" pilot hole and hardened threads.
160-040	5/8"		



### Accuracy

Size Range	T.I.R
1/16" - 25/64"	0.0008
13/32" - 45/64"	0.0011
23/32" - 1-5/8"	0.0015

Note: All 16C Collets have External and ID threads

\* Max Bore ø: Round: 1.5/8"  
Square: 1.3/8"  
Hex: 1.3/16"

### 16C Collet Set

Part Number	Description	Size Range
160-SET-08	8 Piece 16C Collet Set	1/8" - 1" by 1/8ths
160-SET-18	18 Piece 16C Collet Set	1/16" - 1.1/16" by 1/16ths
160-SET-29	29 Piece 16C Collet Set	1/8" - 1" by 1/32nds

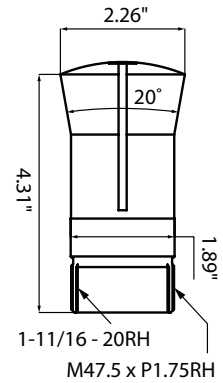
# 16C Collets



## 16C Hex Collets

Part Number (Inch)	Size	Part Number (Inch)	Size
163-008	1/8"	163-052	13/16"
163-012	3/16"	163-056	7/8"
163-016	1/4"	163-060	15/16"
163-020	5/16"	163-064	1"
163-024	3/8"	163-068	1-1/16"
163-028	7/16"	163-072	1-1/8"
163-032	1/2"	163-076	1-3/16"
163-036	9/16"	163-080	1-1/4"
163-040	5/8"	163-084	1-5/16"
163-044	11/16"	163-088	1-3/8"
163-048	3/4"		

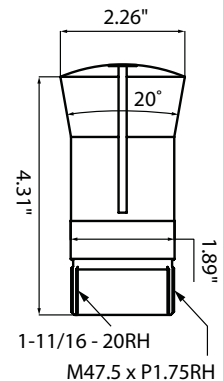
Note: All 16C Collets have External and ID threads



## 16C Square Collets

Part Number (Inch)	Size	Part Number (Inch)	Size
164-008	1/8"	164-044	11/16"
164-012	3/16"	164-048	3/4"
164-016	1/4"	164-052	13/16"
164-020	5/16"	164-056	7/8"
164-024	3/8"	164-060	15/16"
164-028	7/16"	164-064	1"
164-032	1/2"	164-068	1-1/16"
164-036	9/16"	164-072	1-1/8"
164-040	5/8"	164-076	1-3/16"

Note: All 16C Collets have External and ID threads



## Accuracy (For 16C Hex & Square)

Size Range	T.I.R
1/8" - 11/16"	0.0025
3/4" - 1-3/8"	0.0031

## 16C Collet Stop

Part Number	Description
160-USA	16C Collet Stop
160-ADJ	Threaded Depth Retainer 16C Collet Stop



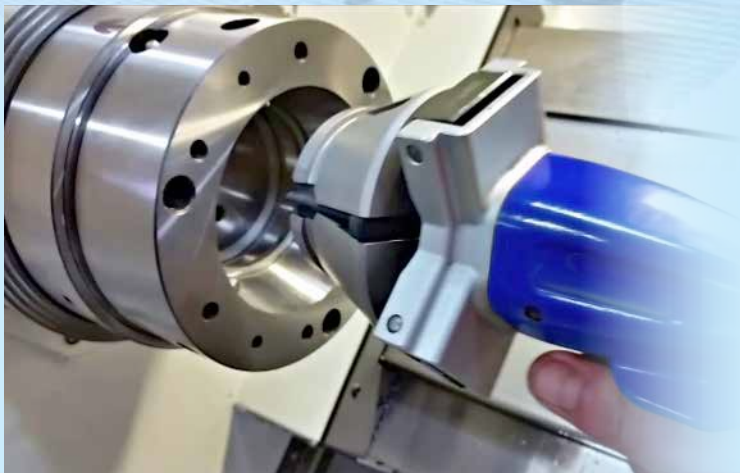
## 16C Collet Wrench

Part Number	Description
16C-WRENCH	Wrench for 16C Round and Hex Collets



R8/5C/3J/16C

**AVAILABLE NOW!**



- **Quick set-up time** - Collet can be switched to any size within seconds, not minutes
- **Increased Precision** - Collet accuracy is .0004" or Better
- **Increased Grip Force** - Collet collapses parallel to work piece, not angular
- **Increased Clamping Range** - Quick Change Flex collets allow work pieces to be up to +/- .0156" from nominal diameter

For more information and to download our  
QCFC Product Catalog, please visit:  
[www.lyndexnikken.com/QCFC](http://www.lyndexnikken.com/QCFC)



Phone: (847) 367-4800



Email: [sales@lyndexnikken.com](mailto:sales@lyndexnikken.com)



[www.lyndexnikken.com](http://www.lyndexnikken.com)

Connect with us on our  
social media channels!





## Retention Knob Features

Retention knobs come in many shapes and sizes. Many machining center manufacturers use different configurations on each of their models. Please provide us with the following information when ordering retention knobs:

- Machining Center Taper Size (40, 50 taper etc.) and flange type (CAT or BT)
- Brand and model of machining center
- Drawing of retention knob (if available)

### CAT Retention Knobs



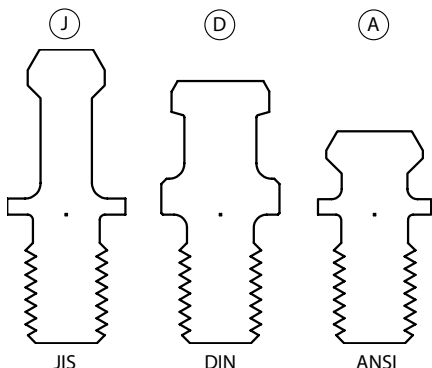
- Class 3A UNC Thread
- Magnetic particle crack tested
- Tensile and shear requirements per ISO and JIS standard
- All locations that make contact with ground spindle mechanism components are ground or hard turned
- Base of pullstud flange is ground to assure perpendicular alignment between pullstud and taper of toolholder
- Tight pitch diameter tolerance helps maintain accurate concentricity between threads and knob limiting the expansion or flaring of the small end of the taper

### BT Retention Knobs

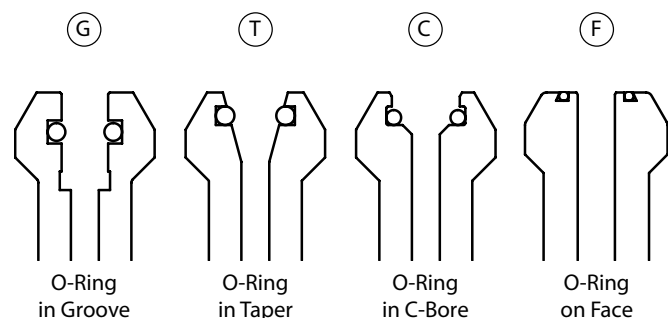


- Class 4g6g metric thread
- Magnetic particle crack tested
- Tensile and shear requirements per JIS 6339
- All locations of the pullstud that make contact with ground spindle mechanism components are ground
- Base of pullstud flange is ground to assure perpendicular alignment between pullstud and taper of toolholder
- Ground Pilot and tight pitch diameter tolerance help maintain accurate concentricity between threads and knob limiting the expansion or flaring of the small end of the taper

### Retention Knob Style



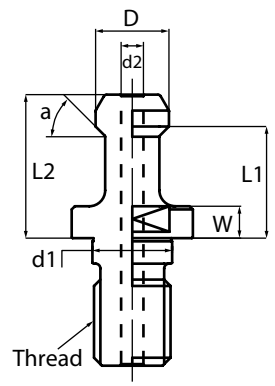
### O-Ring Type



## CAT Retention Knobs



Part Number	D	d1	d2	L1	L2	Angle Degree	W	Thread	O-Ring	Torque Range (Ft-lbs)	Torque Wrench Attachment*	Style
C40-1500	0.748	0.512	0.276	0.793	1.030	15	0.276	5/8"-11	—	44-59	TQW-PS(19)	D
C40-1500(R)	0.748	0.641	0.276	0.793	1.030	15	0.275	5/8"-11	S-15	44-59	TQW-PS(19)	D
C40-1500-MORI	0.748	0.641	0.276	0.793	1.030	15	0.236	5/8"-11	S-15, P-9	44-59	TQW-PS(19)	D, T
C40-4500	0.591	0.512	—	0.990	1.266	45	0.124	5/8"-11	—	44-59	TQW-PS(19)	J
C40-4500(H)	0.591	0.512	0.177	0.990	1.266	45	0.124	5/8"-11	—	44-59	TQW-PS(19)	J
C40S-4500	0.591	0.512	—	0.990	1.266	45	0.236	5/8"-11	—	44-59	TQW-PS(19)	J
C40S-4500(H)	0.591	0.512	0.177	0.990	1.266	45	0.236	5/8"-11	—	44-59	TQW-PS(19)	J
C40-6000	0.591	0.512	—	0.990	1.266	30	0.124	5/8"-11	—	44-59	TQW-PS(19)	J
C40-6000(H)	0.591	0.512	0.177	0.990	1.266	30	0.124	5/8"-11	—	44-59	TQW-PS(19)	J
C40S-6000	0.591	0.512	—	0.990	1.266	30	0.236	5/8"-11	—	44-59	TQW-PS(19)	J
C40-9000	0.591	0.512	—	0.990	1.266	90	0.124	5/8"-11	—	44-59	TQW-PS(19)	J
C40S-9000	0.591	0.512	—	0.990	1.266	90	0.236	5/8"-11	—	44-59	TQW-PS(19)	J
C40-STD	0.740	0.512	0.276	0.433	0.640	45	0.118	5/8"-11	—	44-59	TQW-PS(19)	A
C40-STD(B)	0.740	0.641	0.276	0.433	0.640	45	0.118	5/8"-11	—	44-59	TQW-PS(19)	A, B
C50-1500	1.102	0.827	0.394	0.992	1.346	15	0.276	1"-8	—	85-110	TQW-PS(30)	D
C50-1500(ISO)	1.102	0.827	0.433	0.984	1.339	15	0.197	1"-8	—	85-110	TQW-PS(30)	D
C50-4500	0.906	0.827	—	1.386	1.780	45	0.394	1"-8	—	85-110	TQW-PS(30)	J
C50-4500(B)	0.906	1.031	—	1.386	1.780	45	0.394	1"-8	—	85-110	TQW-PS(30)	J, B
C50-4500(H)	0.906	0.827	0.236	1.386	1.780	45	0.394	1"-8	—	85-110	TQW-PS(30)	J
C50-6000	0.906	0.827	—	1.386	1.780	30	0.394	1"-8	—	85-110	TQW-PS(30)	J
C50-6000(H)	0.906	0.827	0.236	1.386	1.780	30	0.394	1"-8	—	85-110	TQW-PS(30)	J
C50-9000	0.906	0.827	—	1.386	1.780	90	0.394	1"-8	—	85-110	TQW-PS(30)	J
C50-9000(H)	0.906	0.827	0.236	1.386	1.780	90	0.394	1"-8	—	85-110	TQW-PS(30)	J
C50-STD	1.142	0.768	0.461	0.701	1.000	45	0.197	1"-8	—	85-110	TQW-PS(32)	A
C50-STD(B)	1.142	1.031	0.461	0.701	1.000	45	0.197	1"-8	—	85-110	TQW-PS(32)	A, B
C50-MAKINO	0.906	0.984	0.236	1.378	1.772	45	0.394	1"-8	P-22	85-110	TQW-PS(30)	J, L
C50-OKUMA(OH)	0.906	0.945	0.236	1.378	1.772	30	0.394	1"-8	N-24	85-110	TQW-PS(30)	J, L
PS-B61	0.906	1.024	0.236	1.378	1.772	30	0.394	1"-8	N-24	85-110	TQW-PS(30)	J, L

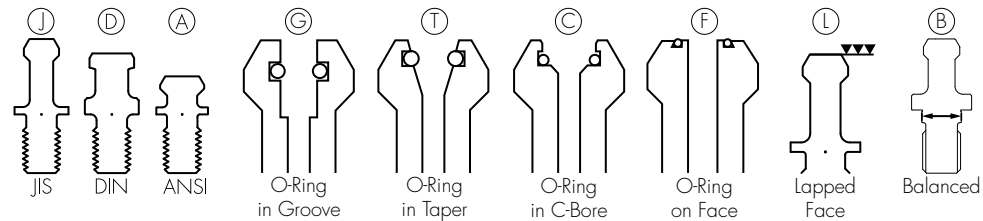


The drawing above details the seven critical dimensions needed to determine which retention stud is required.

Please have these dimensions ready when you place your order, so that we may easily and quickly determine which retention stud is needed for your machining center.

Note: \*Torque Wrench sold separately from Torque Wrench Attachments. See page 244 for more details.

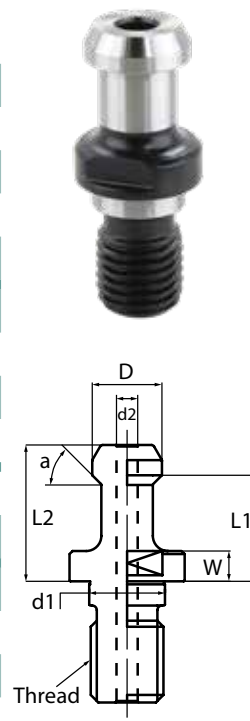
### Retention Knob Style Reference



- A = ANSI Style Knob
- B = Balanced Knob (With Pilot Dia.)
- C = O-Ring in C-Bore
- D = DIN Style Knob
- F = O-Ring on Face
- G = O-Ring in Groove
- J = JIS Style Knob
- L = Lapped Face
- T = O-Ring in Taper

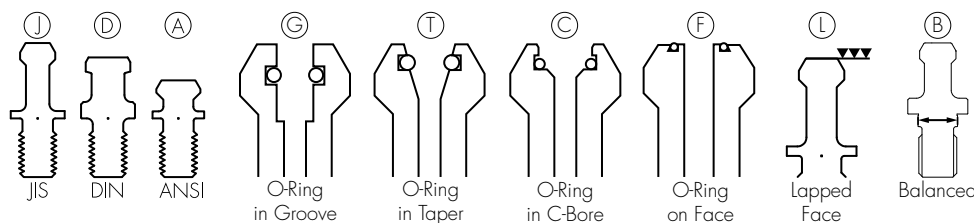
# BT Retention Knobs

Part Number	D	d1	d2	L1	L2	Angle Degree	W	Thread	O-Ring	Torque Range (FtLbs)	Torque Wrench Attachment*	Style
PS-16	0.433	0.492	—	0.709	0.906	45	0.197	M12 P-1.75	—	16-18	TQW-PS(13)	J
PS-17	0.433	0.492	—	0.709	0.906	30	0.197	M12 P-1.75	—	16-18	TQW-PS(13)	J
PS-130E	0.433	0.492	0.197	0.709	0.906	30	0.197	M12 P-1.75	P-9	16-18	TQW-PS(13)	J, L
PS-132	0.433	0.492	0.157	0.709	0.906	45	0.197	M12 P-1.75	P-9	16-18	TQW-PS(13)	J
PS-801	0.472	0.492	—	0.724	0.921	15	0.197	M12 P-1.75	—	16-18	TQW-PS(13)	J, D
B30-4500	0.433	0.492	—	0.709	0.906	45	0.197	M12 P-1.75	—	16-18	TQW-PS(13)	J
B30-6000	0.433	0.492	—	0.709	0.906	30	0.197	M12 P-1.75	—	16-18	TQW-PS(13)	J
B35-6000	0.539	0.512	—	0.886	1.102	30	0.197	M12 P-1.75	—	16-18	—	J
B35-9000	0.551	0.512	—	0.709	0.906	90	0.197	M12 P-1.75	—	16-18	—	J
PS-1	0.591	0.669	—	1.102	1.378	45	0.236	M16 P-2	—	44-59	TQW-PS(19)	J
PS-805	0.748	0.669	—	0.906	1.142	15	0.276	M16 P-2	—	44-59	TQW-PS(19)	J
B40-1500	0.748	0.669	0.276	0.906	1.142	15	0.276	M16 P-2	—	44-59	TQW-PS(19)	D
B40-1500(R)	0.748	0.669	0.276	0.906	1.142	15	0.276	M16 P-2	AS568-015	44-59	TQW-PS(19)	D
B40-1500(ISO)	0.748	0.669	0.276	0.906	1.142	15	0.335	M16 P-2	P-9	44-59	TQW-PS(19)	D, T
B40-1500-MORI	0.748	0.669	0.276	0.906	1.142	15	0.335	M16 P-2	S-15, P-9	44-59	TQW-PS(19)	D, T
B40-4500	0.591	0.669	—	1.102	1.378	45	0.236	M16 P-2	—	44-59	TQW-PS(19)	J
B40-4500(H)	0.591	0.669	0.181	1.102	1.378	45	0.236	M16 P-2	—	44-59	TQW-PS(19)	J
B40-6000	0.591	0.669	—	1.102	1.378	30	0.236	M16 P-2	—	44-59	TQW-PS(19)	J
B40-9000	0.591	0.669	—	1.102	1.378	90	0.236	M16 P-2	—	44-59	TQW-PS(19)	J
B40-FADAL	0.740	0.669	—	0.552	0.752	45	0.236	M16 P-2	—	44-59	TQW-PS(19)	A
B50-4500	0.906	0.984	—	1.378	1.772	45	0.394	M24 P-3	—	85-110	TQW-PS(30)	J
B50-4500(H)	0.906	0.984	0.276	1.378	1.772	45	0.394	M24 P-3	—	85-110	TQW-PS(30)	J
B50-6000	0.906	0.984	—	1.378	1.772	30	0.394	M24 P-3	—	85-110	TQW-PS(30)	J
B50-6000(H)-EU	0.906	0.984	0.276	1.378	1.772	30	0.394	M24 P-3	—	85-110	TQW-PS(30)	J
B50-9000(H)	0.906	0.984	0.276	1.378	1.772	90	0.394	M24 P-3	—	85-110	TQW-PS(30)	D



Note: \*Torque Wrench sold separately from Torque Wrench Attachments. See page 244 for more details.

## Retention Knob Style Reference



- A = ANSI Style Knob
- B = Balanced Knob (With Pilot Dia.)
- C = O-Ring in C-Bore
- D = DIN Style Knob
- F = O-Ring on Face
- G = O-Ring in Groove
- J = JIS Style Knob
- L = Lapped Face
- T = O-Ring in Taper

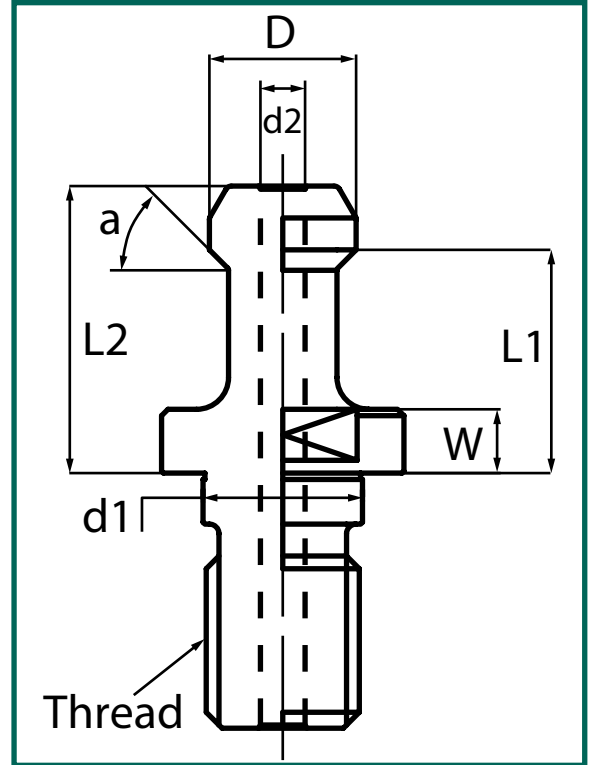


## Retention Knob Inquiry Form



CUSTOMER NAME:	
ADDRESS:	
CITY / STATE / ZIP:	
CONTACT:	
PHONE:	
EMAIL:	

Please complete form with as much information as possible and return to Lyndex-Nikken.



Machine Information			Required Dimensions				Coolant Through			
Machine Make	Machine Model	Machine Taper	L1	L2	W	a	Thread	d1	d2	O-Ring (Y/N)

# THE GLOBAL LEADER IN MANUFACTURING INNOVATION



## NIKKEN X-TREME CHUCKS



Industry proven to eliminate pull-out. Developed exclusively for demanding applications in Aerospace and Energy.

## QUICK CHANGE FLEX COLLETS



A wide selection of Quick Change Flex Collets & Chucks to handle any work-holding challenge. Can be switched within 10 seconds.

## SK LIVE TOOLS



3x the gripping power of ER! Machine with higher chip load and reduced cycle time. New design allows for all internal coolant tools to be run dry continuously!

## DIRECT DRIVE ROTARY TABLES



High speed, high accuracy rotary tables for high production needs.

## ANGLE HEADS



A low investment to help obtain high productivity on machining centers.

## SHRINK FIT



Combining narrow, precise and rigid shrink fit holders with an easy-to-use shrink machine.



Phone: (847) 367-4800



Email: [sales@lyndexnikken.com](mailto:sales@lyndexnikken.com)



[www.lyndexnikken.com](http://www.lyndexnikken.com)

Connect with us on our social media channels!





## Tooljaw®

Lyndex-Nikken ToolJaws are machinists' favorite tooling setup fixtures because they are so handy and practical. You'll gain immediate access to both the working end and the taper end and your toolholder will be secured by a viset-tight grip.

Easy to use, just place or mount your ToolJaw® in a convenient spot and slip a holder into its cradle. Raise the flange lock and secure it with an easy-to-grip thumb screw.

ToolJaw® provides maximum toolholder accessibility with minimum handling. Less handling means fewer chances of costly toolholders being dropped or damaged. Save the time and the hassles of using yesterday's toolholder loading and unloading techniques, and save the money you would spend on replacing damaged toolholders.



### Features

- Access both ends of your toolholders simultaneously
- Minimize toolholder handling
- Speed up your setup
- Convenient and practical
- Easy to use

Description	Tooljaw® Clamps	Replacement Keys	Replacement Jaws
	Part Number	Part Number	Part Number
BT30 Taper TOOLJAW	B30-TOOLJAW	B30-KEY	B30-JAW
BT35 Taper TOOLJAW	B35-TOOLJAW	B35-KEY	B35-JAW
CT40 Taper TOOLJAW	C40-TOOLJAW	C40-KEY	C40-JAW
CT50 Taper TOOLJAW	C50-TOOLJAW	C50-KEY	C50-JAW
HSK63A TOOLJAW	HSK63A-TOOLJAW	HSK63A-KEY	HSK63A-JAW

## Nikken Tool Clamper, Tightening Fixtures, & ATC Alignment Kit

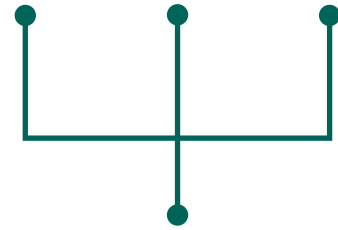
Nikken Tool clamper is designed for symmetrical holders without drive key slots or U-groove. By changing the clamper head to the suitable size, the same base can be used for the other taper sizes.

Clamp/Neutral/Unclamp



TCL-40GH

Clamper Head TCL...HD



Clamper Base TCL-BD

### NIKKEN TOOL CLAMPER FOR HSK TOOLING

Taper	Tool Clamper Complete Unit	Base Part Number	Head Part Number
HSK32E	TCL-32GH	TCL-BD	TCL-32HD
HSK40A, 40E	TCL-40GH		TCL-40HD
HSK50A, 50E	TCL-50GH		TCL-50HD
HSK63A, 63E, 63F	TCL-63GH		TCL-63HD
HSK100A	TCL-100GH		TCL-100HD

### TIGHTENING FIXTURES

Part Number	Taper	Length	Diameter
40-LCFX	40	4.27"	2.76"
50-LCFX	50	6.20"	3.94"



### ATC ALIGNMENT KIT

The Automatic Tool Changer (ATC) allows for service on your machine to check alignment of the ATC arm with the spindle and magazine. One taper adapter can be used with multiple flange adapters. For example: the 40 taper adapter can accommodate both CT40 and BT40 flange adapters.

Part Number	Taper
ATC-ALIGN-BT40	#40
ATC-ALIGN-BT50	#50
ATC-ALIGN-CAT40	CAT40
ATC-ALIGN-CAT50	CAT50
ATC-ALIGN-HSK63A	HSK63A
ATC-ALIGN-HSK100A	HSK100A

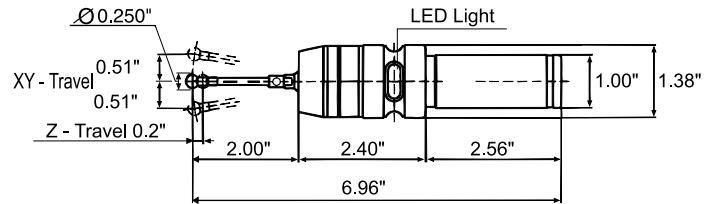


The ATC Alignment Kit consists of:

- taper adapter
- flange adapter
- centering pin

## PointFinder™

Locate the precise relative positioning of the workpiece to the spindle



PointFinder™ is an all-in-one replacement for primary axis setters, calipers, and depth and centering gauges. Not only is it quick and easy to use, its accuracy is beyond compare.

Simply load it into a toolholder and mount it into the machine's spindle. Gauge length pre-setting is unnecessary for X- or Y-axis coordinate determination. Move PointFinder slowly along either the X- or Y-axis toward the workpiece. Its bright LED flashes at the exact point where its 1/4" diameter probe touches the workpiece's surface. That point is exactly 1/8" away from spindle center. Z-axis coordinate determination requires pre-setting, and the point of probe contact marks the exact Z-axis coordinate.

With the workpiece locked into position, your other measurements are performed with the same ease and speed.

### Features

- **Advanced conductive detection system**

Instant LED response  
Direct action—no relays  
Works with all metals  
Unaffected by cutting oil

- **Precise**

Position detection accuracy:  $\pm 0.0008"$   
Stylus recovery accuracy:  $\pm 0.0008"$   
Stylus to shank concentricity:  $\pm 0.0004"$

- **Overrun protected**

X-axis and Y-axis: 0.400"  
Z-axis: 0.200"

- **Versatile design**

Convenient 1" straight shank configuration  
Projects 4.40" from holder when fully loaded

- **Hardened, precision ground steel construction**

- **Easy to use**

Measure without calipers  
Set depths, find centers without gauges  
Position your workpiece without primary axis setters

- **Time Saver**

Turn expensive setup time into profit-making production time

Part Number	Description
PF-2	PointFinder™ with 2" Stylus
PF-STYLUS-2	Replacement Stylus for PointFinder™ PF-2

## ZeroSetter™

### ZeroSetter™

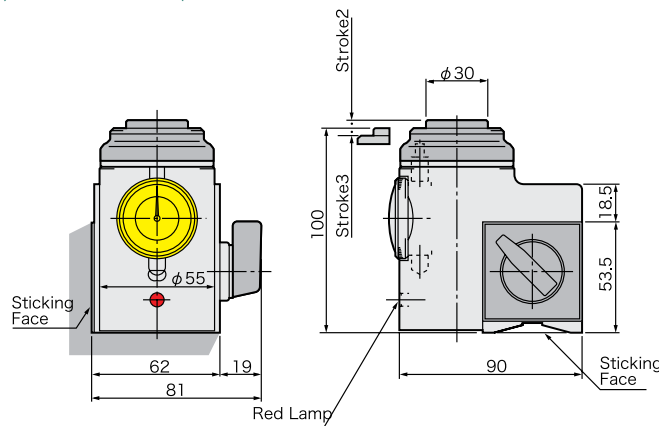
**Quick, simple, precise Z-axis off setting**

ZeroSetter™ assures fast reliable results every time you off-set your Z-axis. Your setup time will be reduced, so you'll gain valuable production time. Made of hardened tool steel, each setter is meticulously ground for top precision. ZeroSetter establishes an absolute gauge length of 4" or 6" that serves as your primary reference point. Its dial indicator is graduated in thousandths (0.001").

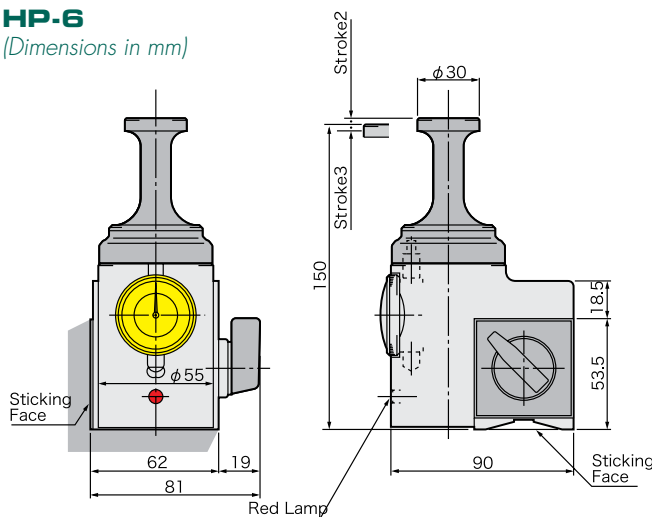


Part Number	Description
ZERO-SET4	4" Gauge Length ZeroSetter™
HP-4	4" Gauge Length Height Presetter
HP-6	6" Gauge Length Height Presetter

#### HP-4 (Dimensions in mm)



#### HP-6 (Dimensions in mm)



## Spindle Wipes



These handy wipes quick-clean your spindles, assuring that your toolholder tapers make continuous positive contact with them for repeatable on-center performance. They're also perfect for cleaning the bores of your collet chucks.

### For Machine Spindles

Part Number	Description
W30	30-Taper Spindle Clean equipped with cleaning blades
30-ST	W30 Standard cleaning blade set
30-VR	W30 Varnish removing blade set
30-EP	W30 Polishing blade set
W35	35-Taper Spindle Clean equipped with cleaning blades
35-ST	W35 Standard cleaning blade set
35-VR	W35 Varnish removing blade set
35-EP	W35 Polishing blade set
W40	40-Taper Spindle Clean equipped with cleaning blades
40-ST	W40 Standard cleaning blade set
40-VR	W40 Varnish removing blade set
40-EP	W40 Polishing blade set
W50	50-Taper Spindle Clean equipped with cleaning blades
50-ST	W50 Standard cleaning blade set
50-VR	W50 Varnish removing blade set
50-EP	W50 Polishing blade set

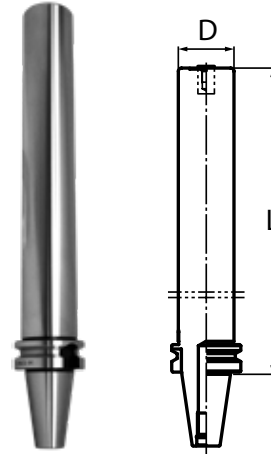


## Test Bars

- Precision ground
- Maximum T.I.R. of 0.0002"
- Excellent for gauging spindle runout

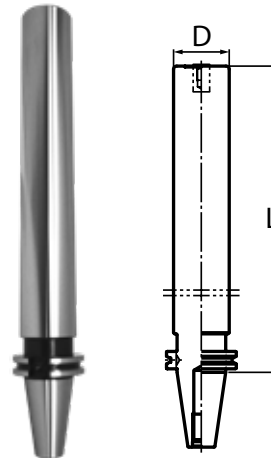
### BT30

Part Number	Taper	L	D
B30-TESTBAR-8.0	BT30	8.00"	1.50"



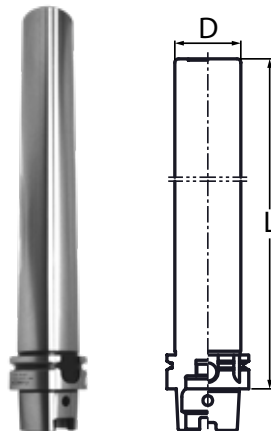
### CAT40/50

Part Number	Taper	L	D
C40-TESTBAR-14.0	CT40	14.00"	2.00"
C50-TESTBAR-14.0	CT50	14.00"	2.00"



### HSK63A/100A

Part Number	Taper	L	D
HSK63A-TESTBAR-14.0	HSK63A	14.00"	2.00"
HSK100A-TESTBAR-14.0	HSK100A	14.00"	2.00"



## Momimen Carbide Indexable Chamfering & Center-Drilling Tools

Achieve super long life and ultra fast cutting performance



Momimen SC1630C



Momimen SC1645C



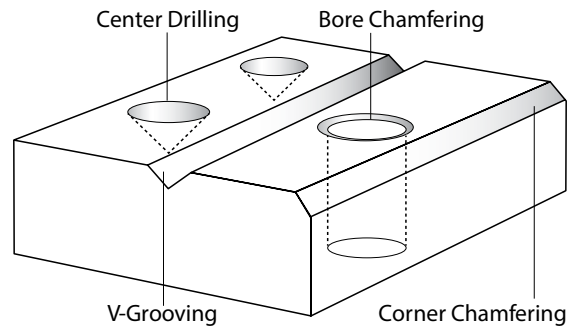
Momimen SC1660D (insert not included)

### Features

- Our CNC multi-purpose tool's patented inserts are specifically designed to eliminate the problems of chipping at the center point associated with conventional center drills
- Our unique toolholding system assures high accuracy and saves time when replacing inserts
- Our single blade system eliminates cutting vibration
- Momimen is durable (even for high speed cutting) which greatly improves productivity
- Momimen enables centering and chamfering work to be done on the same center

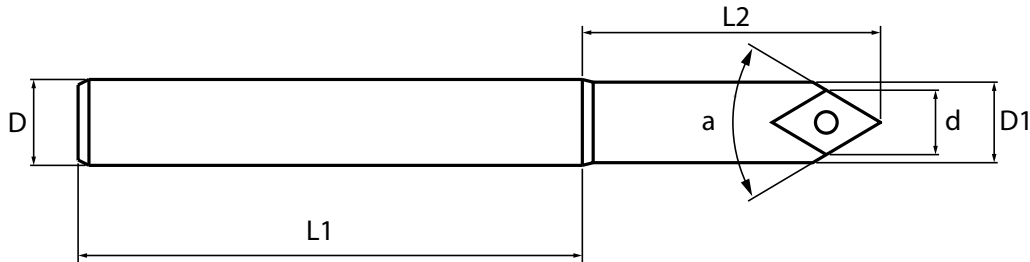
### Applications

- Center Drilling
- Corner Chamfering
- Bore Chamfering
- V-Groove Cutting



## Momimen Carbide Indexable Chamfering & Center-Drilling Tools

Indexable carbide tools for chamfering, center-drilling and v-grooving with one tool



### Momimen Chamfer/Center Drill

Part Number	L1	L2	D	d	a	D1	Insert Nose Radius (mm)
SC1630C	3.27"	1.23"	5/8"	.625"	118°	.650"	0.6
SC1645C	3.35"	1.15"	5/8"	.500"	90°	.551"	0.6
SC1660D*	3.75"	2.05"	5/8"	.472"	60°	.472"	0.4

\*Insert for SC1660D not included.

### Inserts

Part Number	Grade	Application
C32GUX-NK1010	NK1010	Aluminum Cast Iron (Momimen 1630 and 1645)
C32GUX-NK2020	NK2020	Steel (Momimen 1630 and 1645)
D43GUX-NK1010	NK1010	Aluminum Cast Iron (Momimen 1660)
D43GUX-NK5050	NK5050	Steel (Momimen 1660)

Note: Insert package quantity is 12 pieces.

### Recommended Speeds & Feeds

Materials	For Center Drilling & V-Grooving			For Chamfer Milling (down cut)		
	RPM	IPM	Grade	RPM	IPM	Grade
Mild Steels	3000	3.2	NK2020	3000	8	NK2020
Stainless Steels	2000	2	NK2020	2500	6	NK2020
Die Steels	3000	2	NK2020	3000	6	NK2020
Cast Iron	3200	8	NK1010	3000	8	NK1010
Aluminum	4000	6	NK1010	4000	12	NK1010

## Chibimomi Carbide Indexable Chamfering & Center-Drilling Tools

Achieve super long life and ultra fast cutting performance



Chibimomi SCM1045C



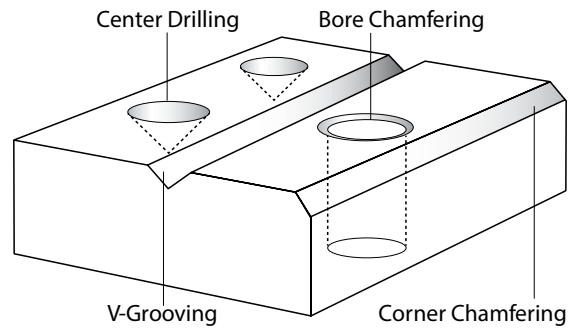
Chibimomi SCM1045CL

### Features

- 3/8" shank and 5/16" lip assure highly accurate machining in narrow and limited space points.
- Our patented insert eliminates cutting vibration and cracking.
- Our patented insert assures problem-free secondary deburring.
- Save time when replacing inserts because no tool compensation is needed.
- Number of toolholders in the ATC can be reduced because this can be used for multiple applications such as: spot drilling, countersinking and chamfering, bore chamfering, edge chamfering, and v-grooving.
- Greatly improves productivity due to high-speed cutting.

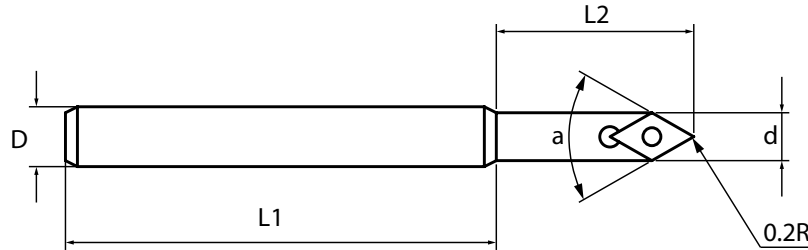
### Applications

- Center Drilling
- Corner Chamfering
- Bore Chamfering
- V-Groove Cutting



## Chibimomi Carbide Indexable Chamfering & Center-Drilling Tools

Indexable carbide tools for chamfering, center-drilling and v-grooving with one tool



### Chibimomi Chamfer/Center Drill

Part Number	L1	L2	D	d	a
SCM1045C	2.68"	1.37"	.393"	.315"	90°
SCM1045CL	5.14"	1.37"	3/8"	.315"	90°

### Inserts

Part Number	Grade	Application
C22GUX-NK5050	NK5050	Steel

Note: Insert package quantity: 12 pieces.

### Recommended Speeds & Feeds

Materials	For Center Drilling & V-Grooving			For Chamfer Milling (down cut)		
	RPM	IPM	Grade	RPM	IPM	Grade
Mild Steels	3000	2	NK5050	3500	19	NK5050
Stainless Steels	2800	2	NK5050	3000	13	NK5050
Aluminum	4000	4	NK1010	5000	39	NK1010

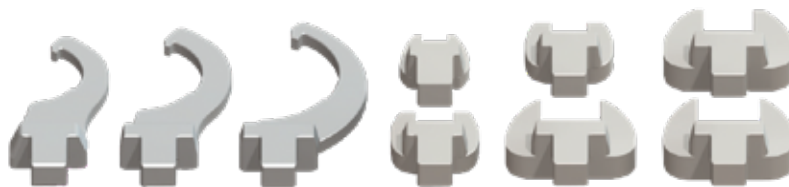
## TQW Torque Wrench



The TQW Torque Wrench is very accurate and easy-to-use, guaranteeing maximum accuracy and preventing tool over-tightening or breakage.

### Features

- Variable torque adjustable wrench
- Robust and durable
- Ergonomic grip
- Easy to read inch and metric scale
- Strong steel shaft is highly corrosion resistant
- Easy to set up and operate:
  1. Set wrench to desired torque setting
  2. Insert attachment
  3. Torque down on collet nut until it clicks in place



A wide selection of attachments are available: ER, SK, TG, Pull Stud, Milling Chuck, CAPTO

### Design and Construction



A Lock & Unlock collar securely locks the preset torque and prevents inadvertent adjustment.



Handle is shaped to provide a firm and ergonomic grip.

Type	Part Number	Attachments (Type and Size)			Torque Range		Torque Wrench	
		Description	mm	inch	lbs.	N.m	Part Number	Description
ER8	TQW-ER8NA	Fork	11	0.43	4	6	TQW-025	14x18, 25 ft.lbs
ER11	TQW-ER11(17)	Hex/OE	17	0.67	11	15		
ER11	TQW-ER11NA		15	0.59	11	15		
ER16	TQW-ER16/SK13(32)	Hook	32 [+/-5mm]	1.25	40 (SK = 22-48)	54 (SK: 30 - 65 N.m)	TQW-150	14x18, 150 ft.lbs
ER20	TQW-ER20(32)		32 [+/-5mm]	1.25	45	61		
ER25	TQW-ER25(43)		43 [+/-5mm]	1.69	70	95		
ER32	TQW-ER32/SK20(50)		50 [+/-5mm]	1.96	95 (SK = 45-63)	129 (SK = 60-85)		
ER40	TQW-ER40(63)		63 [+/-5mm]	2.48	115	156		
SK6 High Speed	TQW-GH06	High Speed Nut Wrench	19.5	0.768	7-22	10-30	TQW-025	14x18, 25 ft.lbs
SK10 High Speed	TQW-GH10		27.5	1.083	15-40	20-55		
SK16 High Speed	TQW-GH16		40	1.575	29-55	40-75		
SK20 High Speed	TQW-GH20		48.5	1.909	45-63	60-85	TQW-150	14x18, 150 ft.lbs
SK25 High Speed	TQW-GH25		55	2.165	45-63	60-85		
C1.1/4 High Speed	TQW-GH32		68	2.677	N/A			
SK6	TQW-SK06(18)	Hook/OE	18	0.71	7-22	10-30	TQW-025	14x18, 25 ft.lbs
SK10	TQW-SK10(11)		25.4	1.00	15-40	20-55		
SK16	TQW-SK16(43)	Hook	43 [+/-5mm]	1.69	29-55	40-75	TQW-150	14x18, 150 ft.lbs
SK25	TQW-SK25(60)		60 [+/-5mm]	2.36	45-63	60-85		
TG75	TQW-TG075(50)	Hook	50 [+/-5mm]	1.96	55	75	TQW-150	14x18, 150 ft.lbs
TG100	TQW-TG100(63)		63 [+/-5mm]	2.48	75	102		
TG150	TQW-TG150(82)		82 [+/-5mm]	3.22	100	136		
Pull Stud - 13mm	TQW-PS(13)	Hex/OE	13	0.51	30 ~ 40	40 to 54	TQW-025	14x18, 25 ft.lbs
Pull Stud - 3/4" (19mm)	TQW-PS(19)		19	0.75	65 ~ 85	88 to 115		
Pull Stud - 30mm	TQW-PS(30)		30	1.18	85 ~ 110	115 to 150	TQW-150	14x18, 150 ft.lbs
Pull Stud - 1.1/4"	TQW-PS(32)		31.75	1.25	85 ~ 110	115 to 150		



## Lyndex-Nikken Product Warranty

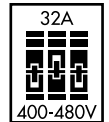
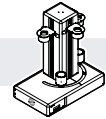
### Toolholder Warranty

- All standard tooling and collets from Lyndex-Nikken have a 1 year warranty against manufacturer defects and workmanship.
- Warranty is void if physical harm is done to the tool or misused outside of its intended purpose.



### Shrink Fit Unit Warranty

- All shrink fit units have a 1 year warranty against manufacturer defects and workmanship.
- Proper installation is required to maintain the 1 year manufacturing warranty.
- 200V Units – MUST be on dedicated protected network with 3 Phase 200-240V 50-60Hz with a 32A circuit breaker with a 30mA differential.
- 400V Units – MUST be on dedicated protected network with 3 Phase 400-480V 50-60Hz with a 32A circuit breaker with a 30mA differential.



- Cooling Towers requires dry filtered air at 85-125psi and be securely mounted.
- Warranty is void if physical harm is done to the unit or used outside of its intended purpose.

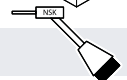
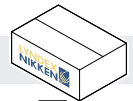


### Angle Heads Warranty

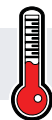
- All angle heads come with a 1 year warranty against manufacturing defects and workmanship.
- All L/N angle heads need to be application approved in order for the warranty to be valid.
- Warranty becomes void if customer disassembles tool or if customer physically damages the tool.
- On repairs, there is a 6 month warranty on replacement parts and workmanship.
- Preventative Maintenance packages are available by request.



- Warranty DOES NOT apply for NSK attachments on Modular Angle Heads.



- Angle Heads should be checked periodically for heat generation / T.I.R. / noise generation and sent in accordingly.



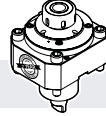




- Internal coolant tools should be sent in every 6 months to 1 year based on usage.



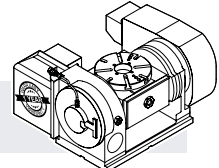
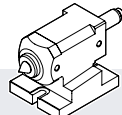

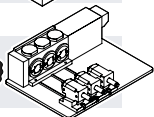

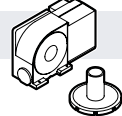


# Lyndex-Nikken Product Warranty

## Live Tools Warranty

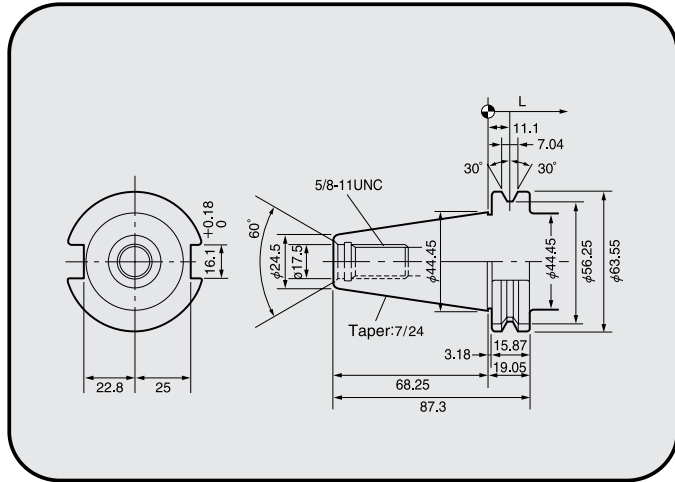
- All live tooling comes with a 2 year warranty against manufacturing defects and workmanship. 
- Warranty becomes void if customer disassembles tool or if customer physically damages the tool. 
- On repairs, there is a 6 month warranty on replacement parts and workmanship. 
- Preventative Maintenance packages are available by request. 
- Live tools should be checked periodically for heat generation / T.I.R. / noise generation and sent in accordingly. 
- Internal coolant tools should be sent in every 6 months to 1 year based on usage.

## Rotary Tables Warranty

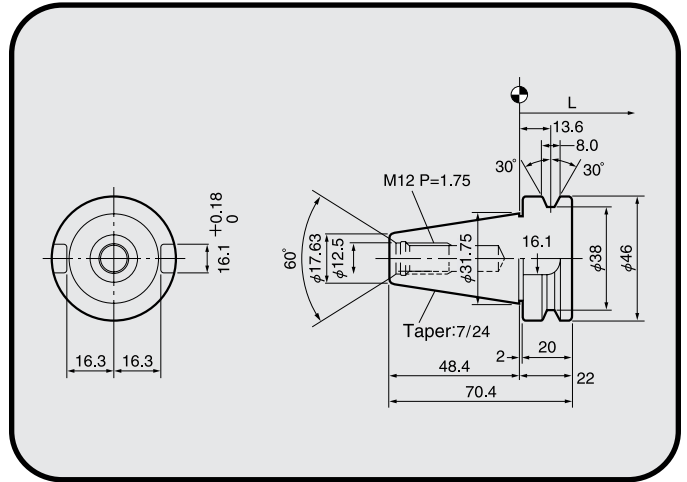
- Warranty of table is 1 year against manufacturer defects and workmanship. 
- If customer has table repaired by Lyndex-Nikken, warranty on repair is 3 months against manufacturer defects and workmanship. 
- Preventative Maintenance packages available by request. 
- Warranty also covers all support tables, tailstocks, chucks and collet fixture assemblies as well. 
- Warranty will also be void if installation of table is not by a certified technician from Lyndex-Nikken or other machine tool dealer. 
- Failure to do so could result in damaged electrical components that Lyndex-Nikken will not be responsible for. 
- Warranty is void if customer disassembles table or causes physical harm to the rotary table.

# Taper Specifications

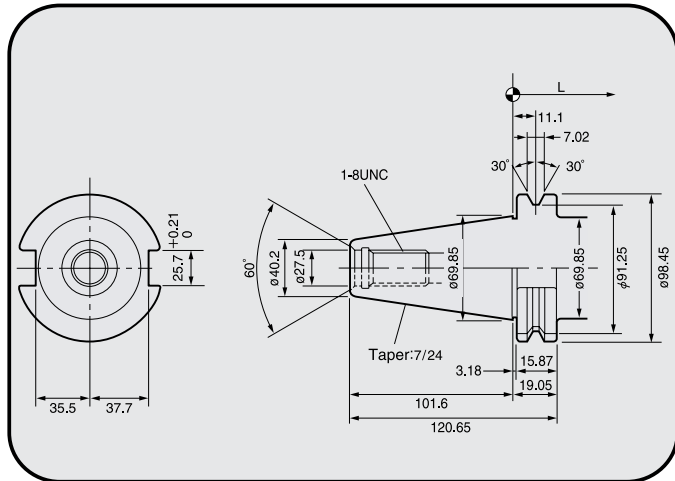
## CAT40



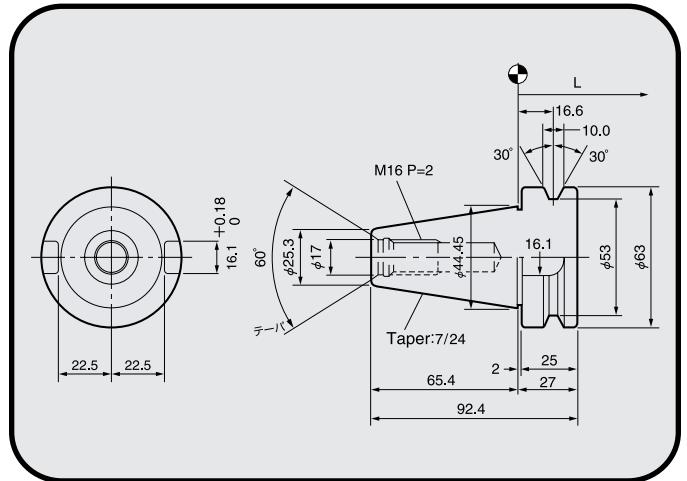
## BT30



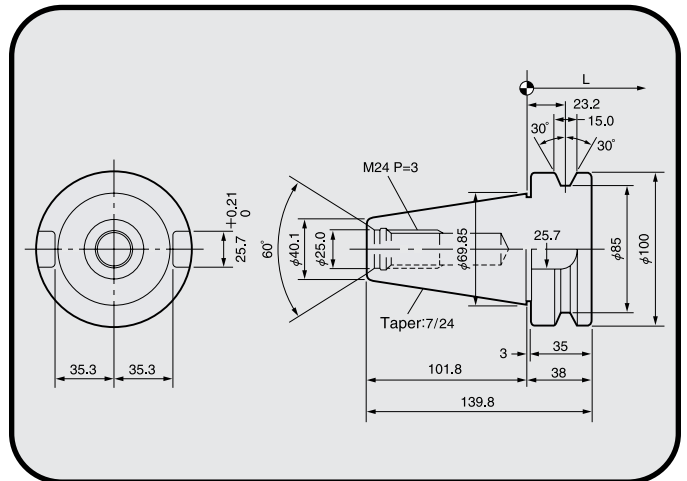
## CAT50



## BT40

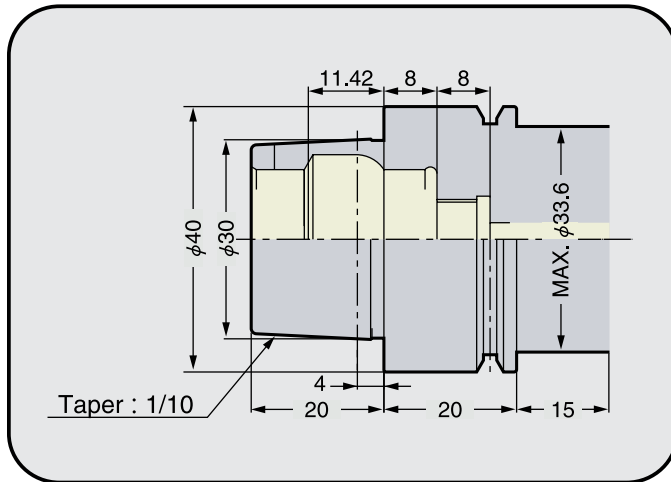


## BT50

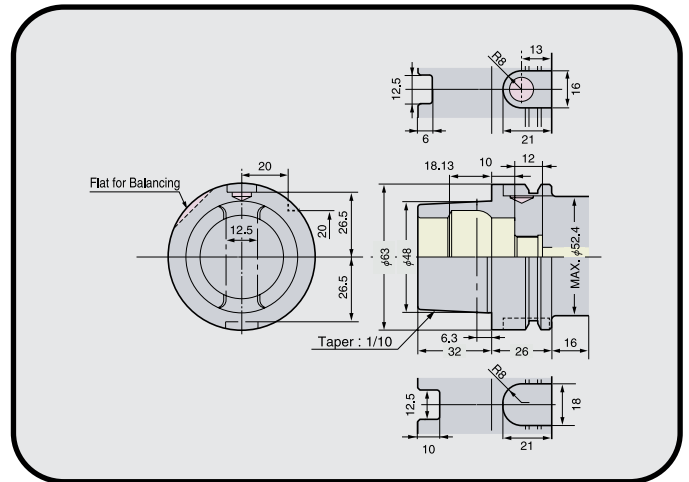


# Taper Specifications

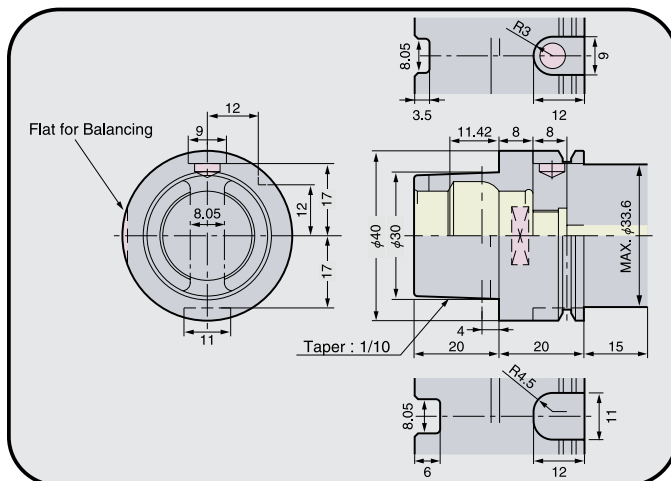
**HSK40E**



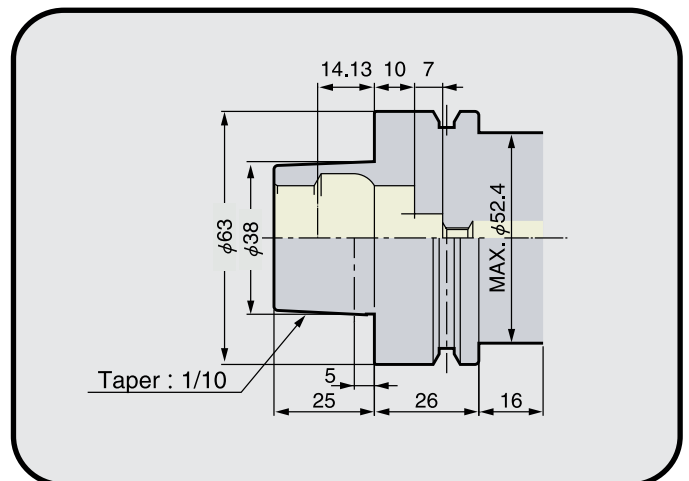
**HSK63A**



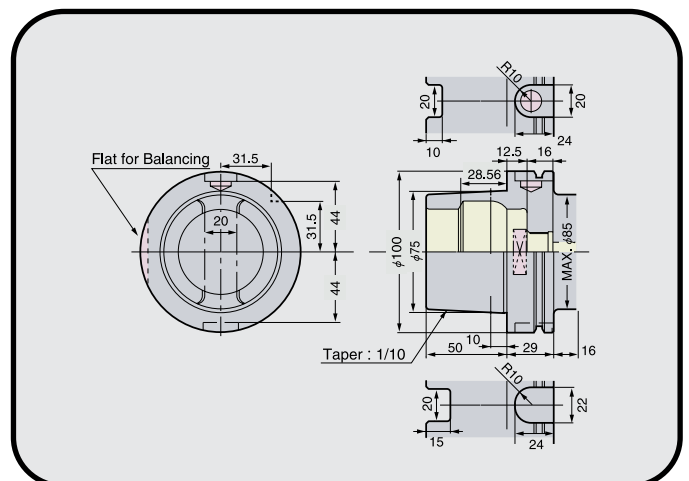
**HSK40A**



**HSK63F**

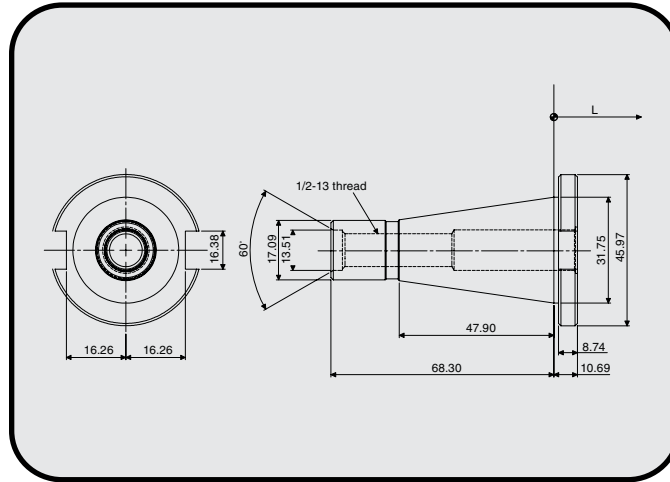


**HSK100A**

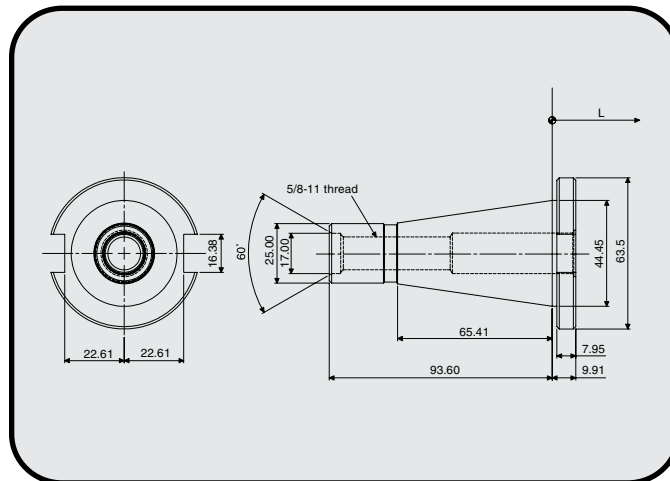


# Taper Specifications

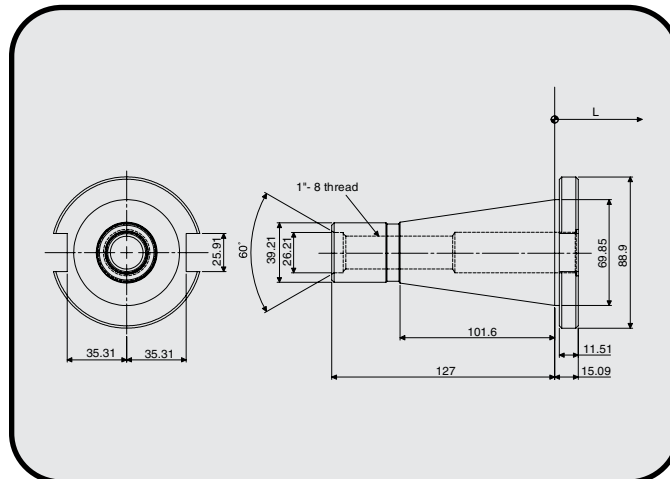
## NMTB30



## NMTB40



## NMTB50



## SK Drill Chart

FRACTION SIZE	# SIZE	LETTER SIZE	METRIC SIZE	DECIMAL INCHES	SK6 COLLETS	SK10 COLLETS	SK16 COLLETS	SK20 COLLETS	SK25 COLLETS
	80			0.0135					
	79			0.0145					
1/64				0.0156					
	78			0.0160					
	77			0.0180					
			0.5	0.0197					
	76			0.0200					
	75			0.0210					
	74			0.0225					
	73			0.0240					
	72			0.0250					
	71			0.0260					
	70			0.0280	SK6-0.8				
	69			0.0292	SK6-0.8				
			0.75	0.0295	SK6-0.8				
	68			0.0310	SK6-0.8				
1/32				0.0312	SK6-0.8				
	67			0.0320	SK6-1				
	66			0.0330	SK6-1				
	65			0.0350	SK6-1				
	64			0.0360	SK6-1				
	63			0.0370	SK6-1				
	62			0.0380	SK6-1				
	61			0.0390	SK6-1				
			1	0.0394	SK6-1				
	60			0.0400					
	59			0.0410					
	58			0.0420					
	57			0.0430	SK6-1.25				
	56			0.0465	SK6-1.25				
3/64				0.0469	SK6-1.25				
			1.25	0.0492	SK6-1.25				
	55			0.0520	SK6-1.5				
	54			0.0550	SK6-1.5				
			1.5	0.0591	SK6-1.5				
	53			0.0595	SK6-1.75				
1/16				0.0625	SK6-1.75				
	52			0.0635	SK6-1.75				
	51			0.0670	SK6-1.75				
			1.75	0.0689	SK6-1.75	SK10-2			
	50			0.0700	SK6-2	SK10-2			
	49			0.0730	SK6-2	SK10-2			
	48			0.0760	SK6-2	SK10-2			
5/64				0.0781	SK6-2	SK10-2			
	47			0.0785	SK6-2	SK10-2			
			2	0.0787	SK6-2	SK10-2			
	46			0.0810	SK6-2.25	SK10-2.25			
	45			0.0820	SK6-2.25	SK10-2.25			
	44			0.0860	SK6-2.25	SK10-2.25			

# SK Drill Chart

FRACTION SIZE	# SIZE	LETTER SIZE	METRIC SIZE	DECIMAL INCHES	SK6 COLLETS	SK10 COLLETS	SK16 COLLETS	SK20 COLLETS	SK25 COLLETS
			2.25	0.0886	SK6-2.25	SK10-2.25			
	43			0.0890	SK6-2.5	SK10-2.5			
	42			0.0935	SK6-2.5	SK10-2.5			
3/32				0.0938	SK6-2.5	SK10-2.5			
	41			0.0960	SK6-2.5	SK10-2.5			
	40			0.0980	SK6-2.5	SK10-2.5			
			2.5	0.0984	SK6-2.5	SK10-2.5			
	39			0.0995	SK6-2.75	SK10-2.75			
	38			0.1015	SK6-2.75	SK10-2.75			
	37			0.1040	SK6-2.75	SK10-2.75			
	36			0.1065	SK6-2.75	SK10-2.75			
			2.75	0.1083	SK6-2.75	SK10-2.75	SK16-3		
7/64				0.1094	SK6-3	SK10-3	SK16-3		
	35			0.1100	SK6-3	SK10-3	SK16-3		
	34			0.1110	SK6-3	SK10-3	SK16-3		
	33			0.1130	SK6-3	SK10-3	SK16-3		
	32			0.1160	SK6-3	SK10-3	SK16-3		
			3	0.1181	SK6-3	SK10-3	SK16-3		
	31			0.1200	SK6-3.5	SK10-3.5	SK16-3.5		
1/8				0.1250	SK6-3.5	SK10-3.5 / SK10-1/8A	SK16-3.5 / SK16-1/8A	SK20-1/8A	
			3.25	0.1280	SK6-3.5	SK10-3.5	SK16-3.5		
	30			0.1285	SK6-3.5	SK10-3.5	SK16-3.5		
	29			0.1360	SK6-3.5	SK10-3.5	SK16-3.5		
			3.5	0.1378	SK6-3.5	SK10-3.5	SK16-3.5		
	28			0.1405	SK6-4	SK10-4	SK16-4	SK20-4	
9/64				0.1406	SK6-4	SK10-4	SK16-4	SK20-4	
	27			0.1440	SK6-4	SK10-4	SK16-4	SK20-4	
	26			0.1470	SK6-4	SK10-4	SK16-4	SK20-4	
			3.75	0.1476	SK6-4	SK10-4	SK16-4	SK20-4	
	25			0.1495	SK6-4	SK10-4	SK16-4	SK20-4	
	24			0.1520	SK6-4	SK10-4	SK16-4	SK20-4	
	23			0.1540	SK6-4	SK10-4	SK16-4	SK20-4	
5/32				0.1562	SK6-4	SK10-4	SK16-4	SK20-4	
	22			0.1570	SK6-4	SK10-4	SK16-4	SK20-4	
			4	0.1575	SK6-4	SK10-4	SK16-4	SK20-4	
	21			0.1590	SK6-4.5	SK10-4.5	SK16-4.5	SK20-4.5	
	20			0.1610	SK6-4.5	SK10-4.5	SK16-4.5	SK20-4.5	
	19			0.1660	SK6-4.5	SK10-4.5	SK16-4.5	SK20-4.5	
			4.25	0.1673	SK6-4.5	SK10-4.5	SK16-4.5	SK20-4.5	
	18			0.1695	SK6-4.5	SK10-4.5	SK16-4.5	SK20-4.5	
11/64				0.1719	SK6-4.5	SK10-4.5	SK16-4.5	SK20-4.5	
	17			0.1730	SK6-4.5	SK10-4.5	SK16-4.5	SK20-4.5	
	16			0.1770	SK6-4.5	SK10-4.5	SK16-4.5	SK20-4.5	
			4.5	0.1772	SK6-4.5	SK10-4.5	SK16-4.5	SK20-4.5	
	15			0.1800	SK6-5.0	SK10-5	SK16-5	SK20-5	
	14			0.1820	SK6-5.0	SK10-5	SK16-5	SK20-5	
	13			0.1850	SK6-5.0	SK10-5	SK16-5	SK20-5	
			4.75	0.1870	SK6-5.0	SK10-5	SK16-5	SK20-5	
3/16				0.1875	SK6-5.0	SK10-5 / SK10-3/16A	SK16-5 / SK16-3/16A	SK20-5 / SK20-3/16A	SK25-3/16A

# SK Drill Chart

FRACTION SIZE	# SIZE	LETTER SIZE	METRIC SIZE	DECIMAL INCHES	SK6 COLLETS	SK10 COLLETS	SK16 COLLETS	SK20 COLLETS	SK25 COLLETS
	12			0.1890	SK6-5.0	SK10-5	SK16-5	SK20-5	
	11			0.1910	SK6-5.0	SK10-5	SK16-5	SK20-5	
	10			0.1935	SK6-5.0	SK10-5	SK16-5	SK20-5	
	9			0.1960	SK6-5.0	SK10-5	SK16-5	SK20-5	
			5	0.1969	SK6-5.0	SK10-5	SK16-5	SK20-5	
	8			0.1990	SK6-5.5	SK10-5.5	SK16-5.5	SK20-5.5	
	7			0.2010	SK6-5.5	SK10-5.5	SK16-5.5	SK20-5.5	
13/64				0.2031	SK6-5.5	SK10-5.5	SK16-5.5	SK20-5.5	
	6			0.2040	SK6-5.5	SK10-5.5	SK16-5.5	SK20-5.5	
	5			0.2055	SK6-5.5	SK10-5.5	SK16-5.5	SK20-5.5	
			5.25	0.2067	SK6-5.5	SK10-5.5	SK16-5.5	SK20-5.5	
	4			0.2090	SK6-5.5	SK10-5.5	SK16-5.5	SK20-5.5	
	3			0.2130	SK6-5.5	SK10-5.5	SK16-5.5	SK20-5.5	
			5.5	0.2165	SK6-5.5	SK10-5.5	SK16-5.5	SK20-5.5	
7/32				0.2188	SK6-6	SK10-6	SK16-6	SK20-6	
	2			0.2210	SK6-6	SK10-6	SK16-6	SK20-6	
			5.75	0.2264	SK6-6	SK10-6	SK16-6	SK20-6	
	1			0.2280	SK6-6	SK10-6	SK16-6	SK20-6	
		A		0.2340	SK6-6	SK10-6	SK16-6	SK20-6	
15/64				0.2344	SK6-6	SK10-6	SK16-6	SK20-6	
			6	0.2362	SK6-6	SK10-6	SK16-6	SK20-6	
		B		0.2380		SK10-6.5	SK16-6.5	SK20-6.5	
		C		0.2420		SK10-6.5	SK16-6.5	SK20-6.5	
		D		0.2460		SK10-6.5	SK16-6.5	SK20-6.5	
			6.25	0.2461		SK10-6.5	SK16-6.5	SK20-6.5	
1/4		E		0.2500		SK10-6.5/ SK10-1/4A	SK16-6.5/ SK16-1/4A	SK20-6.5/ SK20-1/4A	SK25-1/4A
			6.5	0.2559		SK10-6.5	SK16-6.5	SK20-6.5	
		F		0.2570		SK10-7	SK16-7	SK20-7	
		G		0.2610		SK10-7	SK16-7	SK20-7	
17/64				0.2656		SK10-7	SK16-7	SK20-7	
			6.75	0.2657		SK10-7	SK16-7	SK20-7	
		H		0.2660		SK10-7	SK16-7	SK20-7	
		I		0.2720		SK10-7	SK16-7	SK20-7	
			7	0.2756		SK10-7	SK16-7	SK20-7	
		J		0.2770		SK10-7.5	SK16-7.5	SK20-7.5	
		K		0.2810		SK10-7.5	SK16-7.5	SK20-7.5	
9/32				0.2812		SK10-7.5	SK16-7.5	SK20-7.5	
			7.25	0.2854		SK10-7.5	SK16-7.5	SK20-7.5	
		L		0.2900		SK10-7.5	SK16-7.5	SK20-7.5	
		M		0.2950		SK10-7.5	SK16-7.5	SK20-7.5	
			7.5	0.2953		SK10-7.5	SK16-7.5	SK20-7.5	
19/64				0.2969		SK10-8	SK16-8	SK20-8	
		N		0.3020		SK10-8	SK16-8	SK20-8	
			7.75	0.3051		SK10-8	SK16-8	SK20-8	
5/16				0.3125		SK10-8/ SK10-5/16A	SK16-8/ SK16-5/16A	SK20-8/ SK20-5/16A	SK25-5/16A
			8	0.3150		SK10-8	SK16-8	SK20-8	
		O		0.3160		SK10-8.5	SK16-8.5	SK20-8.5	
		P		0.3230		SK10-8.5	SK16-8.5	SK20-8.5	
			8.25	0.3248		SK10-8.5	SK16-8.5	SK20-8.5	

Technical / Index

# SK Drill Chart

FRACTION SIZE	# SIZE	LETTER SIZE	METRIC SIZE	DECIMAL INCHES	SK6 COLLETS	SK10 COLLETS	SK16 COLLETS	SK20 COLLETS	SK25 COLLETS
21/64				0.3281		SK10-8.5	SK16-8.5	SK20-8.5	
		Q		0.3320		SK10-8.5	SK16-8.5	SK20-8.5	
			8.5	0.3346		SK10-8.5	SK16-8.5	SK20-8.5	
		R		0.3390		SK10-9	SK16-9	SK20-9	
11/32				0.3438		SK10-9	SK16-9	SK20-9	
			8.75	0.3445		SK10-9	SK16-9	SK20-9	
		S		0.3480		SK10-9	SK16-9	SK20-9	
			9	0.3543		SK10-9	SK16-9	SK20-9	
		T		0.3580		SK10-9.5	SK16-9.5	SK20-9.5	
23/64				0.3594		SK10-9.5	SK16-9.5	SK20-9.5	
			9.25	0.3642		SK10-9.5	SK16-9.5	SK20-9.5	
		U		0.3680		SK10-9.5	SK16-9.5	SK20-9.5	
			9.5	0.3740		SK10-9.5	SK16-9.5	SK20-9.5	
3/8				0.3750		SK10-10/ SK10-3/8A	SK16-10/ SK16-3/8A	SK20-10/ SK20-3/8A	SK25-3/8A
		V		0.3770		SK10-10	SK16-10	SK20-10	
			9.75	0.3839		SK10-10	SK16-10	SK20-10	
		W		0.3860		SK10-10	SK16-10	SK20-10	
25/64				0.3906		SK10-10	SK16-10	SK20-10	
			10	0.3937		SK10-10	SK16-10	SK20-10	
		X		0.3970			SK16-10.5	SK20-10.5	
		Y		0.4040			SK16-10.5	SK20-10.5	
13/32				0.4063			SK16-10.5	SK20-10.5	
		Z		0.4130			SK16-10.5	SK20-10.5	
			10.5	0.4134			SK16-10.5	SK20-10.5	
27/64				0.4219			SK16-11	SK20-11	
			11	0.4331			SK16-11	SK20-11	
7/16				0.4375			SK16-11.5/ SK16-7/16A	SK20-11.5/ SK20-7/16A	SK25-7/16A
			11.5	0.4528			SK16-11.5	SK20-11.5	
29/64				0.4531			SK16-12	SK20-12	
15/32				0.4688			SK16-12	SK20-12	
			12	0.4724			SK16-12	SK20-12	
31/64				0.4844			SK16-12.5	SK20-12.5	
			12.5	0.4921			SK16-12.5	SK20-12.5	
1/2				0.5000			SK16-13/ SK16-1/2A	SK20-13/ SK20-1/2A	SK25-1/2A
			13	0.5118			SK16-13	SK20-13	
33/64				0.5156			SK16-13.5	SK20-13.5	
17/32				0.5312			SK16-13.5	SK20-13.5	
			13.5	0.5315			SK16-13.5	SK20-13.5	
35/64				0.5469			SK16-14	SK20-14	
			14	0.5512			SK16-14	SK20-14	
9/16				0.5625			SK16-14.5/ SK16-9/16A	SK20-14.5/ SK20-9/16A	
			14.5	0.5709			SK16-14.5	SK20-14.5	
37/64				0.5781			SK16-15	SK20-15	
			15	0.5906			SK16-15	SK20-15	
19/32				0.5938			SK16-15.5	SK20-15.5	
39/64				0.6094			SK16-15.5	SK20-15.5	
			15.5	0.6102			SK16-15.5	SK20-15.5	
5/8				0.6250			SK16-16/ SK16-5/8A	SK20-16/ SK20-5/8A	SK25-16/ SK25-5/8A
			16	0.6299			SK16-16	SK20-16	SK25-16



# SK Drill Chart

FRACTION SIZE	# SIZE	LETTER SIZE	METRIC SIZE	DECIMAL INCHES	SK6 COLLETS	SK10 COLLETS	SK16 COLLETS	SK20 COLLETS	SK25 COLLETS
41/64				0.6406				SK20-16.5	SK25-16.5
			16.5	0.6496				SK20-16.5	SK25-16.5
21/32				0.6562				SK20-17	SK25-17
			17	0.6693				SK20-17	SK25-17
43/64				0.6719				SK20-17.5	SK25-17.5
11/16				0.6875				SK20-17.5	SK25-17.5
			17.5	0.6890				SK20-17.5	SK25-17.5
45/64				0.7031				SK20-18	SK25-18
			18	0.7087				SK20-18	SK25-18
23/32				0.7188				SK20-18.5	SK25-18.5
			18.5	0.7283				SK20-18.5	SK25-18.5
47/64				0.7344				SK20-19	SK25-19
			19	0.7480				SK20-19	SK25-19
3/4				0.7500				SK20-19.5/ SK20-3/4A	SK25-19.5/ SK25-3/4A
49/64				0.7656				SK20-19.5	SK25-19.5
			19.5	0.7677				SK20-19.5	SK25-19.5
25/32				0.7813				SK20-20	SK25-20
			20	0.7874				SK20-20	SK25-20
51/64				0.7969					SK25-20.5
			20.5	0.8071					SK25-20.5
13/16				0.8125					SK25-21
			21	0.8268					SK25-21
53/64				0.8281					SK25-21.5
27/32				0.8438					SK25-21.5
			21.5	0.8465					SK25-21.5
55/64				0.8594					SK25-22
			22	0.8661					SK25-22
7/8				0.8750					SK25-22.5
			22.5	0.8858					SK25-22.5
57/64				0.8906					SK25-23
			23	0.9055					SK25-23
29/32				0.9062					SK25-23.5
59/64				0.9219					SK25-23.5
			23.5	0.9252					SK25-23.5
15/16				0.9375					SK25-24
			24	0.9449					SK25-24
61/64				0.9531					SK25-24.5
			24.5	0.9646					SK25-24.5
31/32				0.9688					SK25-25
			25	0.9843					SK25-25
63/64				0.9844					SK25-25.4
1				1					SK25-25.4

Index

Part Number	Page	Part Number	Page	Part Number	Page	Part Number	Page
010-003	200	018-022	200	030-004	199	075-015	193
010-004	200	018-023	200	030-005	199	075-015(C)	193
010-005	200	018-024	200	030-006	199	075-016	193
010-006	200	018-025	200	030-007	199	075-016(C)	193
010-007	200	018-026	200	030-008	199	075-017	193
010-008	200	018-027	200	030-009	199	075-017(C)	193
010-009	200	018-028	200	030-010	199	075-018	193
010-010	200	018-029	200	030-011	199	075-018(C)	193
010-011	200	018-030	200	030-012	199	075-019	193
010-012	200	018-031	200	030-013	199	075-019(C)	193
010-013	200	018-032	200	030-014	199	075-020	193
010-014	200	018-033	200	030-015	199	075-020(C)	193
010-015	200	018-034	200	030-016	199	075-021	193
010-016	200	018-035	200	030-EXT-500	198	075-021(C)	193
010-017	200	018-036	200	030-EXT-500S	198	075-022	193
010-018	200	018-037	200	030-SET-07	199	075-022(C)	193
010-019	200	018-038	200	030-SET-09	199	075-023	193
010-020	200	018-039	200	030-SET-13	199	075-023(C)	193
010-021	200	018-040	200	030-SET-14	199	075-024	193
010-022	200	018-041	200	032-SPAN	60	075-024(C)	193
010-023	200	018-042	200	040-SPAN	60	075-025	193
010-024	200	018-043	200	050-008	192	075-025(C)	193
010-025	200	018-044	200	050-009	192	075-026	193
010-026	200	018-045	200	050-010	192	075-026(C)	193
010-027	200	018-046	200	050-011	192	075-027	193
010-028	200	018-047	200	050-012	192	075-027(C)	193
010-029	200	018-048	200	050-013	192	075-028	193
010-030	200	018-EXT-125	198	050-014	192	075-028(C)	193
010-031	200	018-EXT-125S	198	050-015	192	075-029	193
010-032	200	018-SET-09	200	050-016	192	075-029(C)	193
010-033	200	018-SET-17	200	050-017	192	075-030	193
010-034	200	018-SET-21	200	050-018	192	075-030(C)	193
010-035	200	018-SET-33	200	050-019	192	075-031	193
010-036	200	018-SET-41	200	050-020	192	075-031(C)	193
010-EXT-100	198	020-003	199	050-021	192	075-032	193
010-EXT-100S	198	020-004	199	050-022	192	075-032(C)	193
010-SET-08	200	020-005	199	050-023	192	075-033	193
010-SET-11	200	020-006	199	050-024	192	075-033(C)	193
010-SET-15	200	020-007	199	050-025	192	075-034	193
010-SET-17	200	020-008	199	050-026	192	075-034(C)	193
010-SET-21	200	020-009	199	050-027	192	075-035	193
010-SET-29	200	020-010	199	050-028	192	075-035(C)	193
010-SET-33	200	020-011	199	050-029	192	075-036	193
011-HEX	60	020-012	199	050-030	192	075-036(C)	193
016-NUT	60	020-013	199	050-031	192	075-037	193
016-SPAN	60	020-014	199	050-032	192	075-037(C)	193
018-003	200	020-015	199	075-003	193	075-038	193
018-004	200	020-016	199	075-004	193	075-038(C)	193
018-005	200	020-017	199	075-005	193	075-039	193
018-006	200	020-018	199	075-006	193	075-039(C)	193
018-007	200	020-019	199	075-007	193	075-040	193
018-008	200	020-020	199	075-008	193	075-040(C)	193
018-009	200	020-021	199	075-008(C)	193	075-041	193
018-010	200	020-022	199	075-009	193	075-041(C)	193
018-011	200	020-023	199	075-009(C)	193	075-042	193
018-012	200	020-024	199	075-010	193	075-042(C)	193
018-013	200	020-EXT-750	198	075-010(C)	193	075-043	193
018-014	200	020-EXT-750S	198	075-011	193	075-043(C)	193
018-015	200	020-SET-09	199	075-011(C)	193	075-044	193
018-016	200	020-SET-11	199	075-012	193	075-044(C)	193
018-017	200	020-SET-17	199	075-012(C)	193	075-045	193
018-018	200	020-SET-21	199	075-013	193	075-045(C)	193
018-019	200	020-SPAN	60	075-013(C)	193	075-046	193
018-020	200	025-SPAN	60	075-014	193	075-046(C)	193
018-021	200	030-003	199	075-014(C)	193	075-047	193

Part Number	Page	Part Number	Page	Part Number	Page	Part Number	Page
075-047(C)	193	100-037	194	100-212	195	160-005	224
075-048	193	100-037(C)	194	100-212(C)	195	160-006	224
075-048(C)	193	100-038	194	100-214	195	160-007	224
075-SET-12	193	100-038(C)	194	100-214(C)	195	160-008	224
075-SET-17	193	100-039	194	100-216	195	160-009	224
075-SET-23	193	100-039(C)	194	100-216(C)	195	160-010	224
075-SET-27	193	100-040	194	100-218	195	160-011	224
075-SET-45	193	100-040(C)	194	100-218(C)	195	160-012	224
08-NANUT	60	100-041	194	100-220	195	160-013	224
08-NASPAN	60	100-041(C)	194	100-220(C)	195	160-014	224
1/2-KEYSET	147	100-042	194	100-222	195	160-015	224
100-003	194	100-042(C)	194	100-222(C)	195	160-016	224
100-004	194	100-043	194	100-224	195	160-017	224
100-005	194	100-043(C)	194	100-224(C)	195	160-018	224
100-006	194	100-044	194	100-225	195	160-019	224
100-007	194	100-044(C)	194	100-225(C)	195	160-020	224
100-008	194	100-045	194	100-226	195	160-021	224
100-009	194	100-045(C)	194	100-226(C)	195	160-022	224
100-010	194	100-046	194	100DA-1	201	160-023	224
100-011	194	100-046(C)	194	100DA-2	201	160-024	224
100-012	194	100-047	194	100DA-3	201	160-025	224
100-013	194	100-047(C)	194	100DA-4	201	160-026	224
100-014	194	100-048	194	100DA-NUT	201	160-027	224
100-015	194	100-048(C)	194	100-J2	156	160-028	224
100-016	194	100-049	194	100-J33	156	160-029	224
100-016(C)	194	100-049(C)	194	100-SET-08	194	160-030	224
100-017	194	100-050	194	100-SET-11	194	160-031	224
100-017(C)	194	100-050(C)	194	100-SET-11(C)	194	160-032	224
100-018	194	100-051	194	100-SET-15	194	160-033	224
100-018(C)	194	100-051(C)	194	100-SET-21	194	160-034	224
100-019	194	100-052	194	100-SET-21(C)	194	160-035	224
100-019(C)	194	100-052(C)	194	100-SET-213-MM	195	160-036	224
100-020	194	100-053	194	100-SET-23	194, 195	160-037	224
100-020(C)	194	100-053(C)	194	100-SET-30	194	160-038	224
100-021	194	100-054	194	100-SET-41	194	160-039	224
100-021(C)	194	100-054(C)	194	100-SET-41(C)	194	160-040	224
100-022	194	100-055	194	100-SET-45	194	160-041	224
100-022(C)	194	100-055(C)	194	100-SET-59	194	160-042	224
100-023	194	100-056	194	100TG-1	196	160-043	224
100-023(C)	194	100-056(C)	194	100TG-3	196	160-044	224
100-024	194	100-057	194	100TG-3C	196	160-045	224
100-024(C)	194	100-057(C)	194	100TG-HEXNUT	196	160-046	224
100-025	194	100-058	194	100TG-NUT	196	160-047	224
100-025(C)	194	100-058(C)	194	100TG-SPAN	196	160-048	224
100-026	194	100-059	194	1-1/2-KEYSET	147	160-049	224
100-026(C)	194	100-059(C)	194	1-1/2-STUBNUT	213	160-050	224
100-027	194	100-060	194	1-1/4-KEYSET	147	160-051	224
100-027(C)	194	100-060(C)	194	1-1/4-STUBNUT	213	160-052	224
100-028	194	100-061	194	11N	156	160-053	224
100-028(C)	194	100-061(C)	194	1250TL-2	117	160-054	224
100-029	194	100-062	194	1250TL-2(C)	117	160-055	224
100-029(C)	194	100-062(C)	194	1250TL-3	117	160-056	224
100-030	194	100-063	194	1250TL-3(C)	117	160-057	224
100-030(C)	194	100-063(C)	194	130-J2	156	160-058	224
100-031	194	100-064	194	130-J33	156	160-059	224
100-031(C)	194	100-064(C)	194	130-J6	156	160-060	224
100-032	194	1000TL-3	117	130-JT33	156	160-061	224
100-032(C)	194	1000TL-3(C)	117	130-JT6	156	160-062	224
100-033	194	100-204	195	14N	156	160-063	224
100-033(C)	194	100-206	195	150G-3C	196	160-064	224
100-034	194	100-206(C)	195	150TG-1	196	160-068	224
100-034(C)	194	100-208	195	150TG-3	196	160-072	224
100-035	194	100-208(C)	195	150TG-NUT	196	160-076	224
100-036	194	100-210	195	150TG-SPAN	196	160-080	224
100-036(C)	194	100-210(C)	195	160-004	224	160-084	224

Index

Part Number	Page	Part Number	Page	Part Number	Page	Part Number	Page
160-088	224	200DA-4	201	300-060	222	340-072	223
160-092	224	200DA-5	201	300-061	222	340-076	223
160-096	224	200DA-NUT	201	300-062	222	340-080	223
160-100	224	2-1/2-KEYSET	147	300-063	222	34-02	156
160-104	224	22-KEYSET	147	300-064	222	34-06	156
160-ADJ	225	27-KEYSET	147	300-068	222	34-33	156
160-J6	156	2-KEYSET	147	300-072	222	35-EP	238
160-JT6	156	3/4-KEYSET	147	300-076	222	35-ST	238
160-SET-08	224	3/4-STUBNUT	213	300-080	222	35-VR	238
160-SET-18	224	300-004	222	300-084	222	360-001S	222
160-SET-29	224	300-005	222	300-088	222	370-ADJ	223
160-USA	225	300-006	222	300-092	222	370-USA	223
163-008	225	300-007	222	300-096	222	3H-WRENCH	223
163-012	225	300-008	222	300-100	222	40-EP	238
163-016	225	300-009	222	300-104	222	40-KEYSET	147
163-020	225	300-010	222	300-108	222	40-LCFX	235
163-024	225	300-011	222	300-112	222	40-ST	238
163-028	225	300-012	222	300DA-1	201	40-VR	238
163-032	225	300-013	222	300DA-2	201	500-003	219
163-036	225	300-014	222	300DA-3	201	500-004	219
163-040	225	300-015	222	300DA-4	201	500-005	219
163-044	225	300-016	222	300DA-NUT	201	500-006	219
163-048	225	300-017	222	300-SET-08	222	500-007	219
163-052	225	300-018	222	300-SET-18	222	500-008	219
163-056	225	300-019	222	300-SET-29	222	500-009	219
163-060	225	300-020	222	300-SET-32	222	500-010	219
163-064	225	300-021	222	30-EP	238	500-011	219
163-068	225	300-022	222	30-ST	238	500-012	219
163-072	225	300-023	222	30-VR	238	500-013	219
163-076	225	300-024	222	32-KEYSET	147	500-014	219
163-080	225	300-025	222	330-016	223	500-015	219
163-084	225	300-026	222	330-020	223	500-016	219
163-088	225	300-027	222	330-024	223	500-017	219
164-008	225	300-028	222	330-028	223	500-018	219
164-012	225	300-029	222	330-032	223	500-019	219
164-016	225	300-030	222	330-036	223	500-020	219
164-020	225	300-031	222	330-040	223	500-021	219
164-024	225	300-032	222	330-044	223	500-022	219
164-028	225	300-033	222	330-048	223	500-023	219
164-032	225	300-034	222	330-052	223	500-024	219
164-036	225	300-035	222	330-056	223	500-025	219
164-040	225	300-036	222	330-060	223	500-026	219
164-044	225	300-037	222	330-064	223	500-027	219
164-048	225	300-038	222	330-068	223	500-028	219
164-052	225	300-039	222	330-072	223	500-029	219
164-056	225	300-040	222	330-076	223	500-030	219
164-060	225	300-041	222	330-080	223	500-031	219
164-064	225	300-042	222	330-084	223	500-032	219
164-068	225	300-043	222	330-088	223	500-033	219
164-072	225	300-044	222	330-092	223	500-034	219
164-076	225	300-045	222	330-096	223	500-035	219
166-001S	224	300-046	222	340-016	223	500-036	219
16C-WRENCH	225	300-047	222	340-020	223	500-037	219
16N	156	300-048	222	340-024	223	500-038	219
180DA-1	201	300-049	222	340-028	223	500-039	219
180DA-2	201	300-050	222	340-032	223	500-040	219
180DA-3	201	300-051	222	340-036	223	500-041	219
180DA-4	201	300-052	222	340-040	223	500-042	219
180DA-NUT	201	300-053	222	340-044	223	500-043	219
18N	156	300-054	222	340-048	223	500-044	219
1-KEYSET	147	300-055	222	340-052	223	500-045	219
1-STUBNUT	213	300-056	222	340-056	223	500-046	219
200DA-1	201	300-057	222	340-060	223	500-047	219
200DA-2	201	300-058	222	340-064	223	500-048	219
200DA-3	201	300-059	222	340-068	223	500-049	219

Part Number	Page	Part Number	Page	Part Number	Page	Part Number	Page
500-050	219	520-018	219	800-016	218	840-002-0.44	158
500-051	219	520-019	219	800-018	218	840-003-2.56	158
500-052	219	520-020	219	800-020	218	850-032-1.00	145
500-053	219	520-021	219	800-022	218	850-048-1.00	145
500-054	219	520-022	219	800-024	218	850-064-1.00	145
500-055	219	520-023	219	800-026	218	850-080-1.00	145
500-056	219	520-024	219	800-028	218	850-096-1.75	145
500-057	219	520-025	219	800-030	218	860-001S	218
500-058	219	520-026	219	800-032	218	870-001-0.13	155
500-059	219	530-008	220	800-034	218	870-002-0.13	155
500-060	219	530-012	220	800-036	218	870-003-0.13	155
500-061	219	530-016	220	800-038	218	870-006-0.13	155
500-062	219	530-020	220	800-040	218	870-033-0.13	155
500-063	219	530-024	220	800-042	218	9HC16	36
500-064	219	530-028	220	800-044	218	9HC22	36, 117
500-065	219	530-032	220	800-046	218	9HC25	117
500-066	219	530-036	220	800-048	218	9HC32	117
500-067	219	530-040	220	800-050	218	9HC50	117
500-068	219	530-044	220	800-052	218	9NPU-13	153
500-069	219	530-048	220	800-054	218	9NPU-8	153
500-070	219	530-052	220	800-056	218	A1/2-20	147
500-071	219	530-056	220	800-064	218	A1/2-20SL	147
500-072	219	540-008	220	8-1/2N	156	A1/4-28	147
50-EP	238	540-012	220	810-SET-06	218	A1/4-28SL	147
50-LCFX	235	540-016	220	810-SET-08	218	A10mm-P1.5	147
50-ST	238	540-020	220	810-SET-11	218	A1-14	147
50TG-1	196	540-024	220	810-SET-12	218	A1-14SL	147
50TG-3	196	540-028	220	810-SET-13	218	A12mm-P1.75	147
50TG-NUT	196	540-032	220	810-SET-14	218	A16mm-P2	147
50TG-SPAN	196	540-036	220	810-SET-21	218	A20mm-P2.5	147
50-VR	238	540-040	220	810-SET-23	218	A3/4-16	147
510-SET-08	220	540-044	220	810-SET-25	218	A3/4-16SL	147
510-SET-09	220	540-048	220	810-SET-27	218	A3/8-24	147
510-SET-09S	220	550-002	220	820-003	218	A3/8-24SL	147
510-SET-15	220	550-003	220	820-004	218	A5/8-11	147
510-SET-16	220	550-004	220	820-005	218	A5/8-18	147
510-SET-16S	220	550-005	220	820-006	218	A5/8-18SL	147
510-SET-17	220	550-006	220	820-007	218	ATC-ALIGN-BT40	235
510-SET-18	220	560-001B	219	820-008	218	ATC-ALIGN-BT50	235
510-SET-24-MM	220	560-001S	219	820-009	218	ATC-ALIGN-CAT40	235
510-SET-29	220	570-ADJ	221	820-010	218	ATC-ALIGN-CAT50	235
510-SET-31	220	570-BLOCK	221	820-011	218	ATC-ALIGN-HSK100A	235
510-SET-31S	220	570-CLOSE	221	820-012	218	ATC-ALIGN-HSK63A	235
510-SET-33	220	570-HEX	221	820-013	218	B3001-0500-1.19	141
510-SET-35	220	570-RING	221	820-014	218	B3001-0750-1.19	141
510-SET-61	220	570-SQUARE	221	820-015	218	B3001-1000-1.19	141
510-SET-61S	220	570-USA	221	820-016	218	B3006-0125-2.36	127
510-SET-65	220	580-SET-06-SQ	220	820-017	218	B3006-0187-2.36	127
510-SET-65S	220	580-SET-07-HEX	220	820-018	218	B3006-0250-2.36	127
510-SET-69	220	580-SET-11-SQ	220	820-019	218	B3006-0312-2.36	127
520-003	219	580-SET-13-HEX	220	820-020	218	B3006-0375-2.36	127
520-004	219	5C-WRENCH	221	820-SET-18-MM	218	B3006-0437-2.36	127
520-005	219	750TL-3	117	830-008-1.33	133	B3006-0500-2.36	127
520-006	219	750TL-3(C)	117	830-012-1.33	133	B3006-0625-2.50	127
520-007	219	75TG-1	196	830-016-1.33	133	B3006-0750-3.00	127
520-008	219	75TG-3	196	830-020-1.33	133	B3006-0875-3.54	127
520-009	219	75TG-3C	196	830-024-1.33	133	B3006-1000-3.54	127
520-010	219	75TG-NUT	196	830-028-1.33	133	B3006-10-2.50	127
520-011	219	75TG-SPAN	196	830-032-1.33	133	B3006-12-2.50	127
520-012	219	800-004	218	830-040-1.50	133	B3006-16-2.50	127
520-013	219	800-006	218	830-048-2.37	133	B3006-18-3.50	127
520-014	219	800-008	218	830-056-2.75	133	B3006-20-3.50	127
520-015	219	800-010	218	830-064-3.25	133	B3006-25-3.50	127
520-016	219	800-012	218	830-080-3.25	133	B3006-6-2.50	127
520-017	219	800-014	218	830-096-3.75	133	B3007-0008-2.00	45

Index

Part Number	Page	Part Number	Page	Part Number	Page	Part Number	Page
B3007-0011-2.00	45	B40-1500(ISO)	230	B5017-0032-6.00	46	BT40-SK10-150	16
B3007-0016-2.36	45	B40-1500(R)	230	B5017-0040-6.00	46	BT40-SK10-150P	18
B3007-0020-2.50	45	B40-1500-MORI	230	B5021-1000-6.00	142	BT40-SK10-180	16
B3007-0025-2.00	45	B4016-0125-4.00	128	B5021-1500-6.00	142	BT40-SK10-90	16
B3007-0032-3.00	45	B4016-0187-4.00	128	B50-4500	230	BT40-SK10-90P	18
B3007-0100-3.00	197	B4016-0250-4.00	128	B50-4500(H)	230	BT40-SK16-120	16
B3007-0180-3.00	197	B4016-0312-4.00	128	B50-6000	230	BT40-SK16-120P	18
B3007-0200-3.00	197	B4016-0375-4.00	128	B50-6000(H)-EU	230	BT40-SK16-150	16
B3007-0250-1.75	189	B4016-0500-4.00	128	B50-9000(H)	230	BT40-SK16-150P	18
B3007-0300-3.00	197	B4016-0625-4.00	128	B50F1-2500-3.00	142	BT40-SK16-180	16
B3007-0750-2.50	189	B4016-0750-4.00	128	BT30-C3/4-75	106	BT40-SK16-90	16
B3007-1000-3.94	189	B4016-1000-6.00	128	BT30-C3/4-75G	107	BT40-SK16-90P	18
B3008-0008	214	B4017-0008-4.00	45	BT30-MMC12-105	78	BT40-SK25-120	16
B3017-0008-4.00	45	B4017-0011-4.00	45	BT30-MMC4-105	78	BT40-SK25-120P	18
B3017-0011-4.00	45	B4017-0016-5.00	45	BT30-MMC8C-75-A	78	BT40-SK25-75	16
B3017-0016-4.00	45	B4017-0020-4.00	45	BT30-NPU13-95	151	BT40-SK25-75P	18
B3017-0020-4.00	45	B4017-0025-4.00	45	BT30-NPU8-70	151	BT40-SK25-90	16
B3017-0025-4.00	45	B4017-0032-5.00	45	BT30-SK10-45	16	BT40-SK25-90P	18
B3017-0032-5.00	45	B4017-0040-5.00	45	BT30-SK10-45P	18	BT40-SK6-120	16
B3017-0250-4.00	189	B4017-0250-4.00	189	BT30-SK10-60	16	BT40-SK6-120P	18
B3027-0016-5.00	45	B4027-0011-6.00	45	BT30-SK10-60P	18	BT40-SK6-150	16
B3037-0016-6.00	45	B4027-0020-6.00	45	BT30-SK10-90	16	BT40-SK6-150P	18
B30-4500	230	B4027-0025-6.00	45	BT30-SK10-90P	18	BT40-SK6-90	16
B30-6000	230	B40-4500	230	BT30-SK16-60	16	BT40-SK6-90P	18
B30-JAW	234	B40-4500(H)	230	BT30-SK16-60P	18	BT40-VC13-120	67
B30-KEY	234	B40-6000	230	BT30-SK16-90	16	BT40-VC13-60	67
B30R5-0562-2.44	163	B40-9000	230	BT30-SK16-90P	18	BT40-VC13-90	67
B30S5-0562-2.40	163	B40-FADAL	230	BT30-SK20-60	16	BT40-VC6-120	67
B30S7-0020-1.22	45	B40R5-0562-3.02	163	BT30-SK20-60P	18	BT40-VC6-60	67
B30-TESTBAR-8.0	239	B40S5-0562-2.62	163	BT30-SK20-90	16	BT40-VC6-90	67
B30-TOOLJAW	234	B40S6-0125-1.38	128	BT30-SK20-90P	18	BT50-C1.1/4-135	106
B35-6000	230	B40S6-0250-1.38	128	BT30-SK25-90	16	BT50-C1.1/4-135G	107
B35-9000	230	B40S6-0500-1.75	128	BT30-SK25-90P	18	BT50-C1.1/4-90	106
B35-JAW	234	B40S6-0625-1.75	128	BT30-SK6-60	16	BT50-C1.1/4-90G	107
B35-KEY	234	B40S6-0750-1.75	128	BT30-SK6-60P	18	BT50-C1-105	106
B35-TOOLJAW	234	B40S6-1000-2.00	128	BT30-SK6-90	16	BT50-C1-105G	107
B4001-0500-1.75	141	B40S6-1250-2.00	128	BT30-SK6-90P	18	BT50-C1-135	106
B4001-0750-1.75	141	B5001-0750-1.75	142	BT30-VC13-120	67	BT50-C1-135G	107
B4001-1000-1.75	141	B5001-1000-1.75	142	BT30-VC13-60	67	BT50-C2-105	106
B4001-1500-2.00	141	B5001-1250-2.00	142	BT30-VC13-90	67	BT50-C3/4-105	106
B4003-0002-1.61	154	B5001-2000-2.00	142	BT30-VC6-45	67	BT50-C3/4-105G	107
B4003-0033-1.61	154	B5006-0375-2.75	129	BT30-VC6-60	67	BT50-C3/4-135	106
B4005-0562-4.33	163	B5006-0500-3.00	129	BT30-VC6-90	67	BT50-C3/4-135G	107
B4006-0125-2.36	128	B5006-0625-3.00	129	BT40-C1.1/4-120	106	BT50-C32-105	106
B4006-0187-2.50	128	B5006-0750-3.00	129	BT40-C1.1/4-120G	107	BT50-C32-165	106
B4006-0250-2.50	128	B5006-1000-4.00	129	BT40-C1.1/4-85	106	BT50-MMC12C-105	78
B4006-0312-2.50	128	B5006-123-3.00	129	BT40-C1.1/4-85G	107	BT50-MMC12C-135	78
B4006-0375-2.50	128	B5006-1250-4.00	129	BT40-C1-70*	106	BT50-MMC12C-165	78
B4006-0437-2.50	128	B5006-1500-4.50	129	BT40-C1-70G	107	BT50-MMC4-105	78
B4006-0500-2.50	128	B5006-16-3.00	129	BT40-C1-90	106	BT50-MMC8C-105	78
B4006-0625-2.50	128	B5006-2000-5.00	129	BT40-C1-90G	107	BT50-MMC8C-135	78
B4006-0750-2.50	128	B5006-25-4.00	129	BT40-C3/4-105	106	BT50-MMC8C-165	78
B4006-0875-3.38	128	B5007-0016-4.12	46	BT40-C3/4-105G	107	BT50-NPU13-90	151
B4006-1000-3.56	128	B5007-0020-2.75	46	BT40-C3/4-70	106	BT50-SK10-105	17
B4006-1250-3.56	128	B5007-0032-4.00	46	BT40-C3/4-70G	107	BT50-SK10-105P	18
B4006-1500-4.50	128	B5007-1000-3.50	189	BT40-C32-105	106	BT50-SK10-165	17
B4007-0011-2.50	45	B5008-0013	214	BT40-MMC12C-120	78	BT50-SK10-165P	18
B4007-0016-3.50	45	B5011-1000-4.00	142	BT40-MMC12C-90	78	BT50-SK10-195	17
B4007-0020-2.50	45	B5016-0375-6.00	129	BT40-MMC4-90	78	BT50-SK10-195P	18
B4007-0025-2.25	45	B5016-0500-6.00	129	BT40-MMC8C-120	78	BT50-SK16-105	17
B4007-0032-3.13	45	B5016-0750-6.00	129	BT40-MMC8C-90	78	BT50-SK16-105P	18
B4007-0250-2.00	189	B5016-1000-6.00	129	BT40-NPU13-80	151	BT50-SK16-165	17
B4007-1000-3.50	189	B5016-1250-6.00	129	BT40-NPU8-70	151	BT50-SK16-165P	18
B4008-0013	214	B5017-0016-6.00	46	BT40-SK10-120	16	BT50-SK16-195	17
B40-1500	230	B5017-0020-4.00	46	BT40-SK10-120P	18	BT50-SK16-195P	18

Part Number	Page	Part Number	Page	Part Number	Page	Part Number	Page
BT50-SK25-105	17	C4006-20-3.00	122	C4047-0032-9.00	43	C5006-0750-3.00	123
BT50-SK25-105P	18	C4006-20-3.00DIN	125	C40-6000	229	C5006-1000-4.00	123
BT50-SK25-165	17	C4006-25-4.00	122	C40-6000(H)	229	C5006-1000A-3.00	126
BT50-SK25-165P	18	C4006-25-4.00DIN	125	C40-9000	229	C5006-10-2.50	124
BT50-SK25-195	17	C4006-32-4.00	122	C40-JAW	234	C5006-12-2.63	124
BT50-SK25-195P	18	C4006-32-4.00DIN	125	C40-KEY	234	C5006-1250-4.00	124
BT50-SK6-105	17	C4006-6-2.50	122	C40R5-0562-2.87(C)	162	C5006-1250A-3.00	126
BT50-SK6-105P	18	C4006-6-2.50DIN	125	C40R5-0562-3.02	162	C5006-14-3.00	124
BT50-SK6-165	17	C4006-8-2.50	122	C40R5-0875-3.50(C)	162	C5006-1500-4.50	124
BT50-SK6-165P	18	C4006-8-2.50DIN	125	C40R5-0875-3.66	162	C5006-16-3.00	124
BT50-SK6-195	17	C4007-0008-2.50	43	C40R5-1375-4.72	162	C5006-18-3.00	124
BT50-SK6-195P	18	C4007-0011-2.50	43	C40S-4500	229	C5006-2000-5.37	124
BT50-VC13-105	67	C4007-0016-3.50	43	C40S-4500(H)	229	C5006-20-3.00	124
BT50-VC13-135	67	C4007-0020-2.50	43	C40S5-0562-2.93	161	C5006-2500-6.00	124
BT50-VC13-165	67	C4007-0025-2.50	43	C40S5-0875-3.90	161	C5006-25-4.00	124
BT50-VC6-105	67	C4007-0032-3.13	43	C40S-6000	229	C5006-32-4.00	124
BT50-VC6-135	67	C4007-0040-3.13	43	C40S6-0125-1.38	121	C5006-40-4.50	124
BT50-VC6-165	67	C4007-0100-3.50	197	C40S6-0187-1.38	121	C5006-42-4.50	124
C22GUX-NK5050	243	C4007-0180-4.00	197	C40S6-0250-1.38	121	C5006-50-5.37	124
C32GUX-NK1010	241	C4007-0200-3.00	197	C40S6-0375-1.38	121	C5006-6-2.50	124
C32GUX-NK2020	241	C4007-1000-3.50	188	C40S6-0500-1.75	121	C5006-8-2.50	124
C4001-0500-1.75	139	C4008-0013	214	C40S6-0625-1.75	121	C5007-0016-4.12	44
C4001-0750-1.75	139	C4011-0750-4.00	139	C40S6-0750-1.75	121	C5007-0020-2.50	44
C4001-1000-1.75	139	C4011-1000-4.00	139	C40S6-0875-1.75	122	C5007-0025-2.50	44
C4001-1250-2.00	139	C4011-1250-4.00	139	C40S6-1000-2.00	122	C5007-0032-4.00	44
C4001-1500-2.00	139	C4011-1500-4.00	139	C40S6-1250-2.00	122	C5007-0040-4.00	44
C4001-22-50	140	C40-1500	229	C40S7-0016-2.25	43	C5007-1000-3.50	188
C4001-27-50	140	C40-1500(R)	229	C40S7-0032-1.10	43	C5008-0013	214
C4001-32-50	140	C40-1500-MORI	229	C40S7-1000-2.75	188	C5011-0750-4.00	139
C4001-40-60	140	C4016-0125-4.00	121	C40S-9000	229	C5011-1000-4.00	139
C4002-1000-6.17	213	C4016-0187-4.00	121	C40-STD	229	C5011-1250-4.00	139
C4002-1250-6.29	213	C4016-0250-4.00	121	C40-STD(B)	229	C5011-1500-4.00	139
C4003-0002-1.61	154	C4016-0312-4.00	121	C40-TESTBAR-14.0	239	C5011-2000-4.00	139
C4003-0003-1.58	154	C4016-0375-4.00	121	C40-TOOLJAW	234	C50-1500	229
C4003-0004-1.49	154	C4016-0437-4.00	121	C5001-0750-1.75	139	C50-1500(ISO)	229
C4003-0006-1.61	154	C4016-0500-4.00	121	C5001-1000-1.75	139	C5016-0250-4.00	123
C4003-0033-1.61	154	C4016-0625-4.00	121	C5001-1250-1.75	139	C5016-0312-4.00	123
C4004-0002-2.36	157	C4016-0750-4.00	121	C5001-1500-2.00	139	C5016-0375-4.00	123
C4004-0003-3.00	157	C4016-1000-6.00	122	C5001-2000-2.00	139	C5016-0437-4.00	123
C4004-0004-3.54	157	C4017-0008-4.00	43	C5001-22-60	140	C5016-0500-4.00	123
C4005-0562-3.98(C)	161	C4017-0011-4.00	43	C5001-27-60	140	C5016-0500A-6.60	126
C4005-0562-4.47	161	C4017-0016-6.00	43	C5001-32-60	140	C5016-0625-4.00	123
C4005-0875-6.66	161	C4017-0020-4.00	43	C5001-40-60	140	C5016-0750-4.00	123
C4006-0125-2.36	121	C4017-0025-4.00	43	C5002-1000-6.17	213	C5016-1000-6.00	123
C4006-0187-2.50	121	C4017-0032-5.00	43	C5002-1250-6.28	213	C5016-1000A-4.50	126
C4006-0250-2.50	121	C4017-0040-5.00	43	C5002-1500-6.60	213	C5016-1250-6.00	124
C4006-0312-2.50	121	C4017-0100-6.00	197	C5003-0003-1.58	154	C5016-1250A-4.50	126
C4006-0375-2.50	121	C4017-1000-5.50	188	C5003-0004-1.49	154	C5016-1500-7.00	124
C4006-0437-2.50	121	C4026-0375-5.00	121	C5003-0006-1.61	154	C5016-2000-8.00	124
C4006-0500-2.50	121	C4026-0500-5.00	121	C5003-0033-1.61	154	C5016-2000A-7.35	126
C4006-0625-3.00	121	C4026-0625-5.50	121	C5004-0002-1.75	157	C5016-2500A-7.35	126
C4006-0750-3.00	121	C4026-0750-5.50	121	C5004-0003-1.75	157	C5017-0016-6.00	44
C4006-0875-3.50	122	C4027-0011-6.00	43	C5004-0004-3.00	157	C5017-0020-4.00	44
C4006-1000-4.00	122	C4027-0020-6.00	43	C5004-0005-4.13	157	C5017-0025-4.00	44
C4006-10-2.50	122	C4027-0025-6.00	43	C5005-0562-3.98(C)	161	C5017-0032-6.00	44
C4006-10-2.50DIN	125	C40-4500	229	C5005-0562-5.02	161	C5017-0040-6.00	44
C4006-12-2.50	122	C40-4500(H)	229	C5005-0875-5.39(C)	161	C5017-1000-5.50	188
C4006-12-2.50DIN	125	C4046-0250-9.00	121	C5005-0875-5.66	161	C5021-0750-6.00	139
C4006-1250-4.00	122	C4046-0375-9.00	121	C5005-1375-7.72	161	C5021-1000-6.00	139
C4006-14-3.00	122	C4046-0500-9.00	121	C5006-0250-2.50	123	C5021-1250-6.00	139
C4006-14-3.00DIN	125	C4046-0625-9.00	121	C5006-0312-2.50	123	C5021-1500-6.00	139
C4006-1500-4.50	122	C4046-0750-9.00	121	C5006-0375-2.50	123	C5026-0250-6.00	123
C4006-16-3.00	122	C4047-0008-9.00	43	C5006-0437-2.50	123	C5026-0312-6.00	123
C4006-16-3.00DIN	125	C4047-0016-9.00	43	C5006-0500-2.63	123	C5026-0375-6.00	123
C4006-18-3.00DIN	125	C4047-0020-9.00	43	C5006-0625-3.00	123	C5026-0375A-6.69	126

Technical / Index

Index

Part Number	Page	Part Number	Page	Part Number	Page	Part Number	Page
C5026-0500-6.00	123	CAT40-C1.1/4SL-105U-IDU	104	CAT40-SF20-80CP	88	CAT50-C1.1/4-135UG	105
C5026-0625-6.00	123	CAT40-C1.1/4SL-120UG-IDU	105	CAT40-SF25-100	88	CAT50-C1.1/4-135U-IDU	104
C5026-0750-6.00	123	CAT40-C1.1/4SL-120U-IDU	104	CAT40-SF25-100CP	88	CAT50-C1.1/4-165U-IDU	104
C5026-0750A-6.50	126	CAT40-C1.1/4SLF-120U	105	CAT40-SF25-160	89	CAT50-C1.1/4-90U-IDU	104
C5026-1000-8.00	123	CAT40-C1-105UG-IDU	105	CAT40-SF25-160CP	89	CAT50-C1.1/4F-135U	105
C5026-1250-8.00	124	CAT40-C1-105U-IDU	104	CAT40-SF32-100	88	CAT50-C1-105UG-IDU	105
C5026-2000-10.00	124	CAT40-C1-85U-IDU	104	CAT40-SF6-160	89	CAT50-C1-105U-IDU	104
C5027-0016-8.00	44	CAT40-C1F-105U	105	CAT40-SF6-80	88	CAT50-C1-135UG	105
C5027-0020-6.00	44	CAT40-C1F-85U	105	CAT40-SF8-160	89	CAT50-C1-135U-IDU	104
C5027-0025-6.00	44	CAT40-C3/4-105UG-IDU	105	CAT40-SF8-160CP	89	CAT50-C1F-105U	105
C5027-0032-8.00	44	CAT40-C3/4-105U-IDU	104	CAT40-SF8-80	88	CAT50-C1F-135U	105
C5027-0040-8.00	44	CAT40-C3/4-120U-IDU	104	CAT40-SF8-80CP	88	CAT50-C2-125U-IDU	104
C5027-1000-7.50	188	CAT40-C3/4-70U-IDU	104	CAT40-SK10-120U	14	CAT50-C3/4-105UG	105
C5031-0750-8.00	139	CAT40-C3/4-85UG-IDU	105	CAT40-SK10-120UP	15	CAT50-C3/4-105U-IDU	104
C5031-1000-8.00	139	CAT40-C3/4-85U-IDU	104	CAT40-SK10-150U	14	CAT50-C3/4-135UG	105
C5031-1250-8.00	139	CAT40-C3/4F-105U	105	CAT40-SK10-150UP	15	CAT50-C3/4-135U-IDU	104
C5031-1500-8.00	139	CAT40-C3/4F-85U	105	CAT40-SK10-180U	14	CAT50-C3/4-165U-IDU	104
C5036-0250-8.00	123	CAT40-C32-105U-IDU	104	CAT40-SK10-90U	14	CAT50-C3/4F-105U	105
C5036-0375-8.00	123	CAT40-MMC12C-120U	77	CAT40-SK10-90UP	15	CAT50-C3/4F-135U	105
C5036-0500-8.00	123	CAT40-MMC12C-90U	77	CAT40-SK10F-120U	15	CAT50-C32-105U-IDU	104
C5036-0625-8.00	123	CAT40-MMC4-90U	77	CAT40-SK10F-150U	15	CAT50-C32-165U-IDU	104
C5036-0750-8.00	123	CAT40-MMC8C-120U	77	CAT40-SK10F-90U	15	CAT50-MMC12C-105U	77
C5037-0020-8.00	44	CAT40-MMC8C-120U-A	77	CAT40-SK16-120U	14	CAT50-MMC12C-135U	77
C5037-0025-8.00	44	CAT40-MMC8C-85U-A	77	CAT40-SK16-120UP	15	CAT50-MMC12C-165U	77
C5037-1000-10.00	188	CAT40-MMC8C-90U	77	CAT40-SK16-150U	14	CAT50-MMC4-105U	77
C50-4500	229	CAT40-NPU8-80U	151	CAT40-SK16-150UP	15	CAT50-MMC8C-105U	77
C50-4500(B)	229	CAT40-SF0250-3.15	88	CAT40-SK16-180U	14	CAT50-MMC8C-135U	77
C50-4500(H)	229	CAT40-SF0250-3.15CP	88	CAT40-SK16-60UP	15	CAT50-MMC8C-165U	77
C5057-0016-12.00	44	CAT40-SF0250-6.30	89	CAT40-SK16-90U	14	CAT50-NPU13-90U-IDU	151
C5057-0020-12.00	44	CAT40-SF0250-6.30CP	89	CAT40-SK16-90UP	15	CAT50-NPU8-80U	151
C5057-0032-12.00	44	CAT40-SF0375-3.15	88	CAT40-SK16F-120U	15	CAT50-SF0125-6.30	91
C5057-0040-12.00	44	CAT40-SF0375-3.15CP	88	CAT40-SK16F-150U	15	CAT50-SF0250-3.15	90
C50-6000	229	CAT40-SF0375-6.30	89	CAT40-SK16F-60U	15	CAT50-SF0250-3.15CP	90
C50-6000(H)	229	CAT40-SF0375-6.30CP	89	CAT40-SK16F-90U	15	CAT50-SF0250-6.30	91
C5066-0500-15.00	123	CAT40-SF0500-3.15	88	CAT40-SK20-120U	14	CAT50-SF0250-6.30CP	91
C5066-0750-15.00	123	CAT40-SF0500-3.15CP	88	CAT40-SK20-120UP-IDU	15	CAT50-SF0375-3.15	90
C5066-1000-15.00	123	CAT40-SF0500-6.30	89	CAT40-SK20-150U-IDU	14	CAT50-SF0375-3.15CP	90
C5066-1250-15.00	124	CAT40-SF0500-6.30CP	89	CAT40-SK20-180U-IDU	14	CAT50-SF0375-6.30	91
C50-9000	229	CAT40-SF0625-3.15	88	CAT40-SK20-65U-IDU	14	CAT50-SF0375-6.30CP	91
C50-9000(H)	229	CAT40-SF0625-3.15CP	88	CAT40-SK20-65UP-IDU	15	CAT50-SF0500-3.15	90
C50F1-2500-2.95	140	CAT40-SF0625-6.30	89	CAT40-SK20-90U	14	CAT50-SF0500-3.15CP	90
C50-JAW	234	CAT40-SF0625-6.30CP	89	CAT40-SK20-90UP-IDU	15	CAT50-SF0500-6.30	91
C50-KEY	234	CAT40-SF0750-3.15	88	CAT40-SK25-90U	14	CAT50-SF0500-6.30CP	91
C50-MAKINO	229	CAT40-SF0750-3.15CP	88	CAT40-SK25-120U	14	CAT50-SF0625-3.15	90
C50-OKUMA(OH)	229	CAT40-SF0750-6.30	89	CAT40-SK25-120UP	15	CAT50-SF0625-3.15CP	90
C50R5-0562-2.87(C)	162	CAT40-SF0750-6.30CP	89	CAT40-SK25-90UP	15	CAT50-SF0625-6.30	91
C50R5-0562-3.02	162	CAT40-SF1000-3.94	88	CAT40-SK25F-90U	15	CAT50-SF0625-6.30CP	91
C50R5-0875-3.50(C)	162	CAT40-SF1000-3.94CP	88	CAT40-SK25F-120U	15	CAT50-SF0750-3.15	90
C50R5-0875-3.91	162	CAT40-SF1000-6.30	89	CAT40-SK6-120U	14	CAT50-SF0750-3.15CP	90
C50R5-1375-5.00(C)	162	CAT40-SF1000-6.30CP	89	CAT40-SK6-120UP	15	CAT50-SF0750-6.30	91
C50S5-0562-2.93	161	CAT40-SF10-160	89	CAT40-SK6-150U	14	CAT50-SF0750-6.30CP	91
C50S5-0875-3.90	161	CAT40-SF10-160CP	89	CAT40-SK6-150UP	15	CAT50-SF1000-3.94	90
C50S5-1375-5.75	161	CAT40-SF10-80	88	CAT40-SK6-90U	14	CAT50-SF1000-3.94CP	90
C50S6-0750-1.75	123	CAT40-SF10-80CP	88	CAT40-SK6-90UP	15	CAT50-SF1000-6.30	91
C50S6-1000-2.00	123	CAT40-SF12-160	89	CAT40-SK6F-120U	15	CAT50-SF1000-6.30CP	91
C50S6-1250-2.00	124	CAT40-SF12-160CP	89	CAT40-SK6F-150U	15	CAT50-SF10-160	91
C50S6-1500-2.25	124	CAT40-SF12-80	88	CAT40-SK6F-90U	15	CAT50-SF10-160CP	91
C50S6-2000-3.63	124	CAT40-SF12-80CP	88	CAT40-VC13-120U	66	CAT50-SF10-80	90
C50S7-0040-1.10	44	CAT40-SF16-160	89	CAT40-VC13-60U	66	CAT50-SF10-80CP	90
C50-STD	229	CAT40-SF16-160CP	89	CAT40-VC13-90U	66	CAT50-SF12-160	91
C50-STD(B)	229	CAT40-SF16-80	88	CAT40-VC6-120U	66	CAT50-SF12-160CP	91
C50-TESTBAR-14.0	239	CAT40-SF16-80CP	88	CAT40-VC6-60U	66	CAT50-SF1250-3.94	90
C50-TOOLJAW	234	CAT40-SF20-160	89	CAT40-VC6-90U	66	CAT50-SF1250-3.94CP	90
CAT40-C1.1/4-85U-IDU	104	CAT40-SF20-160CP	89	CAT50-C1.1/4-105UG-IDU	105	CAT50-SF1250-6.30	91
CAT40-C1.1/4SL-105UG-IDU	105	CAT40-SF20-80	88	CAT50-C1.1/4-105U-IDU	104	CAT50-SF1250-6.30CP	91



Part Number	Page	Part Number	Page	Part Number	Page	Part Number	Page
CAT50-SF12-80	90	CCK1.1/4-3/16	116	CCK32-9/16	116	CKFN25(1)-6	115
CAT50-SF12-80CP	90	CCK1.1/4-3/4	116	CCKL20	115	CKFN25(1)-6C	115
CAT50-SF16-160	91	CCK1.1/4-3/8	116	CCKL25	115	CKFN25(1)-7/16	115
CAT50-SF16-160CP	91	CCK1.1/4-5/16	116	CCKL32	116	CKFN25(1)-7/16C	115
CAT50-SF16-80	90	CCK1.1/4-5/8	116	CCKL50	116	CKFN25(1)-7/8	115
CAT50-SF16-80CP	90	CCK1.1/4-6	116	CKFN20(3/4)-1/2	115	CKFN25(1)-7/8C	115
CAT50-SF20-160	91	CCK1.1/4-7/16	116	CKFN20(3/4)-1/2C	115	CKFN25(1)-8	115
CAT50-SF20-160CP	91	CCK1.1/4-7/8	116	CKFN20(3/4)-1/4	115	CKFN25(1)-8C	115
CAT50-SF20-80	90	CCK1.1/4-8	116	CKFN20(3/4)-1/4C	115	CKFN32(1.1/4)-1	116
CAT50-SF20-80CP	90	CCK1.1/4-9/16	116	CKFN20(3/4)-1/8	115	CKFN32(1.1/4)-1/2	116
CAT50-SF25-100	90	CCK1-1/2	115	CKFN20(3/4)-1/8C	115	CKFN32(1.1/4)-1/2C	116
CAT50-SF25-100CP	90	CCK1-1/4	115	CKFN20(3/4)-10	115	CKFN32(1.1/4)-1/4	116
CAT50-SF25-160	91	CCK1-1/8	115	CKFN20(3/4)-10C	115	CKFN32(1.1/4)-1/4C	116
CAT50-SF25-160CP	91	CCK1-10	115	CKFN20(3/4)-12	115	CKFN32(1.1/4)-10	116
CAT50-SF32-100	90	CCK1-12	115	CKFN20(3/4)-12C	115	CKFN32(1.1/4)-10C	116
CAT50-SF32-100CP	90	CCK1-14	115	CKFN20(3/4)-14	115	CKFN32(1.1/4)-12	116
CAT50-SF3-80	90	CCK1-16	115	CKFN20(3/4)-14C	115	CKFN32(1.1/4)-12C	116
CAT50-SF6-160	91	CCK1-18	115	CKFN20(3/4)-16	115	CKFN32(1.1/4)-14	116
CAT50-SF6-80	90	CCK1-20	115	CKFN20(3/4)-16C	115	CKFN32(1.1/4)-14C	116
CAT50-SF8-160	91	CCK1-3/16	115	CKFN20(3/4)-3/16	115	CKFN32(1.1/4)-16	116
CAT50-SF8-160CP	91	CCK1-3/4	115	CKFN20(3/4)-3/16C	115	CKFN32(1.1/4)-16C	116
CAT50-SF8-80	90	CCK1-3/8	115	CKFN20(3/4)-3/8	115	CKFN32(1.1/4)-1C	116
CAT50-SF8-80CP	90	CCK1-5/16	115	CKFN20(3/4)-3/8C	115	CKFN32(1.1/4)-20	116
CAT50-SK10-105U	14	CCK1-5/8	115	CKFN20(3/4)-5/16	115	CKFN32(1.1/4)-20C	116
CAT50-SK10-105UP	15	CCK1-6	115	CKFN20(3/4)-5/16C	115	CKFN32(1.1/4)-25	116
CAT50-SK10-165U	14	CCK1-7/16	115	CKFN20(3/4)-5/8	115	CKFN32(1.1/4)-25C	116
CAT50-SK10-165UP	15	CCK1-7/8	115	CKFN20(3/4)-5/8C	115	CKFN32(1.1/4)-3/16	116
CAT50-SK10-195U	14	CCK1-8	115	CKFN20(3/4)-6	115	CKFN32(1.1/4)-3/16C	116
CAT50-SK10-195UP	15	CCK2-1	116	CKFN20(3/4)-6C	115	CKFN32(1.1/4)-3/4	116
CAT50-SK10-225U	14	CCK2-1.1/2	116	CKFN20(3/4)-7	115	CKFN32(1.1/4)-3/4C	116
CAT50-SK16-105U	14	CCK2-1.1/4	116	CKFN20(3/4)-7/16	115	CKFN32(1.1/4)-3/8	116
CAT50-SK16-105UP	15	CCK3/4-1/2	115	CKFN20(3/4)-7/16C	115	CKFN32(1.1/4)-3/8C	116
CAT50-SK16-165U	14	CCK3/4-1/4	115	CKFN20(3/4)-7C	115	CKFN32(1.1/4)-5/16	116
CAT50-SK16-165UP	15	CCK3/4-1/8	115	CKFN20(3/4)-8	115	CKFN32(1.1/4)-5/16C	116
CAT50-SK16-195U	14	CCK3/4-10	115	CKFN20(3/4)-8C	115	CKFN32(1.1/4)-5/8	116
CAT50-SK16-195UP	15	CCK3/4-12	115	CKFN20(3/4)-9/16	115	CKFN32(1.1/4)-5/8C	116
CAT50-SK20-105U-IDU	14	CCK3/4-14	115	CKFN20(3/4)-9/16C	115	CKFN32(1.1/4)-6	116
CAT50-SK20-165U	14	CCK3/4-16	115	CKFN25(1)-1/2	115	CKFN32(1.1/4)-6C	116
CAT50-SK20-195U-IDU	14	CCK3/4-3/16	115	CKFN25(1)-1/2C	115	CKFN32(1.1/4)-7/16	116
CAT50-SK25-105U	14	CCK3/4-3/8	115	CKFN25(1)-1/4	115	CKFN32(1.1/4)-7/16C	116
CAT50-SK25-105UP	15	CCK3/4-5/16	115	CKFN25(1)-1/4C	115	CKFN32(1.1/4)-7/8	116
CAT50-SK25-165U	14	CCK3/4-5/8	115	CKFN25(1)-1/8	115	CKFN32(1.1/4)-7/8C	116
CAT50-SK25-165UP	15	CCK3/4-6	115	CKFN25(1)-1/8C	115	CKFN32(1.1/4)-8	116
CAT50-SK25-195U	14	CCK3/4-7	115	CKFN25(1)-10	115	CKFN32(1.1/4)-8C	116
CAT50-SK25-195UP	15	CCK3/4-7/16	115	CKFN25(1)-10C	115	CKFN32(1.1/4)-9/16	116
CAT50-SK6-105U	14	CCK3/4-8	115	CKFN25(1)-12	115	CKFN32(1.1/4)-9/16C	116
CAT50-SK6-105UP	15	CCK3/4-9/16	115	CKFN25(1)-12C	115	CKFN50(2)-1	116
CAT50-SK6-165U	14	CCK32-1	116	CKFN25(1)-14	115	CKFN50(2)-1.1/2	116
CAT50-SK6-165UP	15	CCK32-1/2	116	CKFN25(1)-14C	115	CKFN50(2)-1.1/2C	116
CAT50-SK6-195U	14	CCK32-1/4	116	CKFN25(1)-16	115	CKFN50(2)-1.1/4	116
CAT50-VC13-105U	66	CCK32-10	116	CKFN25(1)-16C	115	CKFN50(2)-1.1/4C	116
CAT50-VC13-135U	66	CCK32-12	116	CKFN25(1)-18	115	CKFN50(2)-1C	116
CAT50-VC13-165U	66	CCK32-14	116	CKFN25(1)-18C	115	CRE-2/1	180
CAT50-VC6-105U	66	CCK32-16	116	CKFN25(1)-20	115	CRE-3/2	180
CAT50-VC6-135U	66	CCK32-20	116	CKFN25(1)-20C	115	D1.1/2-NPU13-6.35	152
CAT50-VC6-165U	66	CCK32-25	116	CKFN25(1)-3/16	115	D1.1/4-NPU13-6.23	152
CCK1.1/4-1	116	CCK32-3/16	116	CKFN25(1)-3/16C	115	D43GUX-NK1010	241
CCK1.1/4-1/2	116	CCK32-3/4	116	CKFN25(1)-3/4	115	D43GUX-NK5050	241
CCK1.1/4-1/4	116	CCK32-3/8	116	CKFN25(1)-3/4C	115	E11-002	52
CCK1.1/4-10	116	CCK32-5/16	116	CKFN25(1)-3/8	115	E11-003	52
CCK1.1/4-12	116	CCK32-5/8	116	CKFN25(1)-3/8C	115	E11-004	52
CCK1.1/4-14	116	CCK32-6	116	CKFN25(1)-5/16	115	E11-005	52
CCK1.1/4-16	116	CCK32-7/16	116	CKFN25(1)-5/16C	115	E11-006	52
CCK1.1/4-20	116	CCK32-7/8	116	CKFN25(1)-5/8	115	E11-007	52
CCK1.1/4-25	116	CCK32-8	116	CKFN25(1)-5/8C	115	E11-008	52

**Index**

Part Number	Page	Part Number	Page	Part Number	Page	Part Number	Page
E11-009	52	E16-019(C)	53	E20-016	54	E25-004	55
E11-010	52	E16-020	53	E20-016(C)	54	E25-006	55
E11-011	52	E16-020(C)	53	E20-017(C)	54	E25-008	55
E11-012	52	E16-021(C)	53	E20-018	54	E25-010	55
E11-012(C)	52	E16-022	53	E20-018(C)	54	E25-012	55
E11-013	52	E16-022(C)	53	E20-019(C)	54	E25-014	55
E11-013(C)	52	E16-023(C)	53	E20-020	54	E25-014(C)	55
E11-014	52	E16-024	53	E20-020(C)	54	E25-015(C)	55
E11-014(C)	52	E16-024(C)	53	E20-021(C)	54	E25-016	55
E11-015	52	E16-025(C)	53	E20-022	54	E25-016(C)	55
E11-015(C)	52	E16-026	53	E20-022(C)	54	E25-017(C)	55
E11-016	52	E16-026(C)	53	E20-023(C)	54	E25-018	55
E11-016(C)	52	E16-039	53	E20-024	54	E25-018(C)	55
E11-017	52	E16-059	53	E20-024(C)	54	E25-019(C)	55
E11-017(C)	52	E16-078	53	E20-025(C)	54	E25-020	55
E11-039	52	E16-098	53	E20-026	54	E25-020(C)	55
E11-059	52	E16-118	53	E20-026(C)	54	E25-021(C)	55
E11-078	52	E16-137	53	E20-027(C)	54	E25-022	55
E11-098	52	E16-157	53	E20-028	54	E25-022(C)	55
E11-118	52	E16-157(C)	53	E20-028(C)	54	E25-023(C)	55
E11-137	52	E16-177	53	E20-029(C)	54	E25-024	55
E11-157	52	E16-177(C)	53	E20-030	54	E25-024(C)	55
E11-157(C)	52	E16-196	53	E20-030(C)	54	E25-025(C)	55
E11-177	52	E16-196(C)	53	E20-031(C)	54	E25-026	55
E11-177(C)	52	E16-216	53	E20-032	54	E25-026(C)	55
E11-196	52	E16-216(C)	53	E20-032(C)	54	E25-027(C)	55
E11-196(C)	52	E16-236	53	E20-078	54	E25-028	55
E11-216	52	E16-236(C)	53	E20-118	54	E25-028(C)	55
E11-216(C)	52	E16-255	53	E20-137	54	E25-029(C)	55
E11-236	52	E16-255(C)	53	E20-157	54	E25-030	55
E11-236(C)	52	E16-275	53	E20-196	54	E25-030(C)	55
E11-255	52	E16-275(C)	53	E20-196(C)	54	E25-031(C)	55
E11-255(C)	52	E16-295	53	E20-216(C)	54	E25-032	55
E11-275	52	E16-295(C)	53	E20-236	54	E25-032(C)	55
E11-275(C)	52	E16-314	53	E20-236(C)	54	E25-033(C)	55
E11-EXT-500	49	E16-314(C)	53	E20-255(C)	54	E25-034	55
E11-EXT-625	49	E16-334	53	E20-275	54	E25-034(C)	55
E11-EXT-750	49	E16-334(C)	53	E20-275(C)	54	E25-035(C)	55
E11-NUT	60	E16-354	53	E20-295(C)	54	E25-036	55
E11-SET-06(C)	52	E16-354(C)	53	E20-314	54	E25-036(C)	55
E11-SET-07(C)-MM	52	E16-374	53	E20-314(C)	54	E25-037(C)	55
E11-SET-12-MM	52	E16-374(C)	53	E20-334(C)	54	E25-038	55
E11-SET-14	52	E16-393	53	E20-354	54	E25-038(C)	55
E16-002	53	E16-393(C)	53	E20-354(C)	54	E25-039(C)	55
E16-004	53	E16-EXT-100	49	E20-374(C)	54	E25-040	55
E16-006	53	E16-EXT-625	49	E20-393	54	E25-040(C)	55
E16-006(C)	53	E16-EXT-750	49	E20-393(C)	54	E25-078	55
E16-007(C)	53	E16-NUT	60	E20-413(C)	54	E25-118	55
E16-008	53	E16-SET-09-MM	53	E20-433	54	E25-137	55
E16-008(C)	53	E16-SET-11(C)	53	E20-433(C)	54	E25-157	55
E16-009(C)	53	E16-SET-12	53	E20-452	54	E25-196	55
E16-010	53	E16-SET-13(C)-MM	53	E20-452(C)	54	E25-236	55
E16-010(C)	53	E16-SET-15(C)	53	E20-472	54	E25-236(C)	55
E16-011(C)	53	E20-004	54	E20-472(C)	54	E25-255(C)	55
E16-012	53	E20-006	54	E20-492(C)	54	E25-275	55
E16-012(C)	53	E20-008	54	E20-511	54	E25-275(C)	55
E16-013(C)	53	E20-010	54	E20-511(C)	54	E25-295(C)	55
E16-014	53	E20-010(C)	54	E20-EXT-100	49	E25-314	55
E16-014(C)	53	E20-011(C)	54	E20-EXT-125	49	E25-314(C)	55
E16-015(C)	53	E20-012	54	E20-EXT-750	49	E25-334(C)	55
E16-016	53	E20-012(C)	54	E20-NUT	60	E25-354	55
E16-016(C)	53	E20-013(C)	54	E20-SET-11-MM	54	E25-354(C)	55
E16-017(C)	53	E20-014	54	E20-SET-12(C)	54	E25-374(C)	55
E16-018	53	E20-014(C)	54	E20-SET-15	54	E25-393	55
E16-018(C)	53	E20-015(C)	54	E20-SET-17(C)-MM	54	E25-393(C)	55

Part Number	Page	Part Number	Page	Part Number	Page	Part Number	Page
E25-413(C)	55	E32-038(C)	56	E32-SET-17(C)	56	E40-610(C)	57
E25-433	55	E32-039(C)	56	E32-SET-18-MM	56	E40-629	57
E25-433(C)	55	E32-040	56	E32-SET-21	56	E40-629(C)	57
E25-452	55	E32-040(C)	56	E32-SET-21(C)-MM	56	E40-649(C)	57
E25-452(C)	55	E32-041(C)	56	E40-010	57	E40-669	57
E25-472	55	E32-042	56	E40-012	57	E40-669(C)	57
E25-472(C)	55	E32-042(C)	56	E40-014	57	E40-688(C)	57
E25-492(C)	55	E32-043(C)	56	E40-016	57	E40-708	57
E25-511	55	E32-044	56	E40-018	57	E40-708(C)	57
E25-511(C)	55	E32-044(C)	56	E40-020	57	E40-728(C)	57
E25-531(C)	55	E32-045(C)	56	E40-020(C)	57	E40-748	57
E25-551	55	E32-046	56	E40-022	57	E40-748(C)	57
E25-551(C)	55	E32-046(C)	56	E40-024	57	E40-767	57
E25-570(C)	55	E32-047(C)	56	E40-024(C)	57	E40-767(C)	57
E25-590	55	E32-048	56	E40-026	57	E40-787	57
E25-590(C)	55	E32-048(C)	56	E40-028	57	E40-787(C)	57
E25-610(C)	55	E32-049(C)	56	E40-028(C)	57	E40-807(C)	57
E25-629	55	E32-050	56	E40-030	57	E40-826	57
E25-629(C)	55	E32-050(C)	56	E40-032	57	E40-826(C)	57
E25-EXT-100	49	E32-118	56	E40-032(C)	57	E40-846(C)	57
E25-EXT-125	49	E32-137	56	E40-034	57	E40-866	57
E25-EXT-750	49	E32-157	56	E40-036	57	E40-866(C)	57
E25-NUT	60	E32-196	56	E40-036(C)	57	E40-885(C)	57
E25-SET-13(C)	55	E32-236	56	E40-038	57	E40-905	57
E25-SET-14-MM	55	E32-275	56	E40-040	57	E40-905(C)	57
E25-SET-19	55	E32-314	56	E40-040(C)	57	E40-925(C)	57
E25-SET-21(C)-MM	55	E32-354	56	E40-042	57	E40-944	57
E32-008	56	E32-393	56	E40-044	57	E40-944(C)	57
E32-010	56	E32-393(C)	56	E40-046	57	E40-964(C)	57
E32-012	56	E32-413(C)	56	E40-048	57	E40-984	57
E32-014	56	E32-433	56	E40-050	57	E40-984(C)	57
E32-016	56	E32-433(C)	56	E40-052	57	E40-NUT	60
E32-016(C)	56	E32-452	56	E40-054	57	E40-NUT-ST	60
E32-017(C)	56	E32-452(C)	56	E40-056	57	E40-SET-23-MM	57
E32-018	56	E32-472	56	E40-058	57	E40-SET-25	57
E32-018(C)	56	E32-472(C)	56	E40-060	57	E40-SET-33(C)-MM	57
E32-019(C)	56	E32-492(C)	56	E40-062	57	ER11-3	61
E32-020	56	E32-511	56	E40-064	57	ER11-3 (C)	61
E32-020(C)	56	E32-511(C)	56	E40-1003(C)	57	ER16-3	61
E32-021(C)	56	E32-531(C)	56	E40-1023	57	ER16-3 (C)	61
E32-022	56	E32-551	56	E40-1023(C)	57	ER20-3	61
E32-022(C)	56	E32-551(C)	56	E40-157	57	ER20-3 (C)	61
E32-023(C)	56	E32-570(C)	56	E40-196	57	ER25-3	61
E32-024	56	E32-590	56	E40-236	57	ER25-3 (C)	61
E32-024(C)	56	E32-590(C)	56	E40-275	57	ER32-3	61
E32-025(C)	56	E32-610(C)	56	E40-314	57	ER32-3 (C)	61
E32-026	56	E32-629	56	E40-354	57	ER40-3	61
E32-026(C)	56	E32-629(C)	56	E40-393	57	ER40-3 (C)	61
E32-027(C)	56	E32-649(C)	56	E40-393(C)	57	ER8-039	52
E32-028	56	E32-669	56	E40-413(C)	57	ER8-059	52
E32-028(C)	56	E32-669(C)	56	E40-433	57	ER8-078	52
E32-029(C)	56	E32-688(C)	56	E40-433(C)	57	ER8-098	52
E32-030	56	E32-708	56	E40-452	57	ER8-118	52
E32-030(C)	56	E32-708(C)	56	E40-452(C)	57	ER8-137	52
E32-031(C)	56	E32-728(C)	56	E40-472	57	ER8-157	52
E32-032	56	E32-748	56	E40-472(C)	57	ER8-177	52
E32-032(C)	56	E32-748(C)	56	E40-492(C)	57	ER8-196	52
E32-033(C)	56	E32-767	56	E40-511	57	ER8-3	61
E32-034	56	E32-767(C)	56	E40-511(C)	57	ER8-3 (C)	61
E32-034(C)	56	E32-787	56	E40-531(C)	57	ER8-EXT-500	49
E32-035(C)	56	E32-787(C)	56	E40-551	57	ER8-EXT-625	49
E32-036	56	E32-EXT-100	49	E40-551(C)	57	ER8-SET-09-MM	52
E32-036(C)	56	E32-EXT-125	49	E40-570(C)	57	ET16-168	58
E32-037(C)	56	E32-NUT	60	E40-590	57	ET16-194	58
E32-038	56	E32-NUT-ST	60	E40-590(C)	57	ET16-220	58

Index

Part Number	Page	Part Number	Page	Part Number	Page	Part Number	Page
ET16-255	58	ET40-381	58	H100A-SF16-100	94	H63A-SF8-160CP	93
ET16-255(C)	59	ET40-381(C)	59	H100A-SF16-100CP	94	H63A-SF8-80	92
ET16-318(C)	59	ET40-429	58	H100A-SF16-160	95	H63A-SF8-80CP	92
ET20-168	58	ET40-429(C)	59	H100A-SF16-160CP	95	HP-4	237
ET20-194	58	ET40-437	58	H100A-SF20-105	94	HP-6	237
ET20-220	58	ET40-480	58	H100A-SF20-105CP	94	HSK100A-0250-4.00	131
ET20-255	58	ET40-480(C)	59	H100A-SF20-160	95	HSK100A-0250-6.00	131
ET20-255(C)	59	ET40-542	58	H100A-SF20-160CP	95	HSK100A-0375-4.00	131
ET20-318	58	ET40-542(C)	59	H100A-SF25-115	94	HSK100A-0375-6.00	131
ET20-318(C)	59	ET40-562	58	H100A-SF25-115CP	94	HSK100A-0437-6.00	131
ET20-323	58	ET40-590	58	H100A-SF25-160	95	HSK100A-0500-4.00	131
ET20-323(C)	59	ET40-590(C)	59	H100A-SF25-160CP	95	HSK100A-0500-6.00	131
ET20-367	58	ET40-652	58	H100A-SF32-120	94	HSK100A-0625-4.00	131
ET20-367(C)	59	ET40-652(C)	59	H100A-SF32-120CP	94	HSK100A-0750-4.00	131
ET20-381	58	ET40-687	58	H100A-SF32-160	95	HSK100A-0750-6.00	131
ET20-381(C)	59	ET40-697	58	H100A-SF32-160CP	95	HSK100A-1000-4.00	131
ET25-168	58	ET40-697(C)	59	H100A-SF6-160	95	HSK100A-1000-6.00	131
ET25-194	58	ET40-700	58	H100A-SF6-85	94	HSK100A-1250-4.00	131
ET25-220	58	ET40-760	58	H63A-SF0250-3.15	92	HSK100A-1250-6.00	131
ET25-255	58	ET40-760(C)	59	H63A-SF0250-3.15CP	92	HSK100A-BLANK-13.00	215
ET25-255(C)	59	ET40-800	58	H63A-SF0250-6.30	93	HSK100A-C1.1/4-115	109
ET25-318	58	ET40-800(C)	59	H63A-SF0250-6.30CP	93	HSK100A-C1.1/4-115G	109
ET25-318(C)	59	GH10	36, 74	H63A-SF0375-3.35	92	HSK100A-C1.1/4-165	109
ET25-323	58	GH16	36, 74	H63A-SF0375-3.35CP	92	HSK100A-C1.1/4-165G	109
ET25-323(C)	59	GH20	36, 117	H63A-SF0375-6.30	93	HSK100A-C1-115	109
ET25-367	58	GH25	36, 117	H63A-SF0375-6.30CP	93	HSK100A-C1-115G	109
ET25-367(C)	59	GH32	117	H63A-SF0500-3.54	92	HSK100A-C1-135	109
ET25-381	58	GH32S	117	H63A-SF0500-3.54CP	92	HSK100A-C1-135G	109
ET25-381(C)	59	GH6	36	H63A-SF0500-6.30	93	HSK100A-C2-125	109
ET25-429	58	H100A-SF0250-3.54	94	H63A-SF0500-6.30CP	93	HSK100A-C3/4-115	109
ET25-429(C)	59	H100A-SF0250-3.54CP	94	H63A-SF0625-3.74	92	HSK100A-C3/4-115G	109
ET25-437	58	H100A-SF0250-6.30	95	H63A-SF0625-3.74CP	92	HSK100A-C3/4-135	109
ET25-480	58	H100A-SF0250-6.30CP	95	H63A-SF0625-6.30	93	HSK100A-C3/4-135G	109
ET25-480(C)	59	H100A-SF0375-3.54	94	H63A-SF0625-6.30CP	93	HSK100A-C32-135	109
ET32-168	58	H100A-SF0375-3.54CP	94	H63A-SF0750-3.94	92	HSK100A-ER16-4.00	47
ET32-194	58	H100A-SF0375-6.30	95	H63A-SF0750-3.94CP	92	HSK100A-ER16-6.00	47
ET32-220	58	H100A-SF0375-6.30CP	95	H63A-SF0750-6.30	93	HSK100A-ER20-4.00	47
ET32-255	58	H100A-SF0500-3.74	94	H63A-SF0750-6.30CP	93	HSK100A-ER20-6.00	47
ET32-255(C)	59	H100A-SF0500-3.74CP	94	H63A-SF1000-4.53	92	HSK100A-ER25-4.00	47
ET32-318	58	H100A-SF0500-6.30	95	H63A-SF1000-4.53CP	92	HSK100A-ER25-6.00	47
ET32-318(C)	59	H100A-SF0500-6.30CP	95	H63A-SF1000-6.30	93	HSK100A-ER32-4.00	47
ET32-323	58	H100A-SF0625-3.94	94	H63A-SF1000-6.30CP	93	HSK100A-ER32-6.00	47
ET32-323(C)	59	H100A-SF0625-3.94CP	94	H63A-SF10-160	93	HSK100A-ER40-4.00	47
ET32-367	58	H100A-SF0625-6.30	95	H63A-SF10-160CP	93	HSK100A-ER40-6.00	47
ET32-367(C)	59	H100A-SF0625-6.30CP	95	H63A-SF10-85	92	HSK100A-MMC12C-130	79
ET32-381	58	H100A-SF0750-4.13	94	H63A-SF10-85CP	92	HSK100A-MMC8C-130	79
ET32-381(C)	59	H100A-SF0750-4.13CP	94	H63A-SF12-160	93	HSK100A-NPU13C-145	152
ET32-429	58	H100A-SF0750-6.30	95	H63A-SF12-160CP	93	HSK100A-SK10C-105	20
ET32-429(C)	59	H100A-SF0750-6.30CP	95	H63A-SF12-90	92	HSK100A-SK10C-105P	21
ET32-437	58	H100A-SF1000-4.53	94	H63A-SF12-90CP	92	HSK100A-SK10C-120	20
ET32-480	58	H100A-SF1000-4.53CP	94	H63A-SF16-160	93	HSK100A-SK10C-120P	21
ET32-480(C)	59	H100A-SF1000-6.30	95	H63A-SF16-160CP	93	HSK100A-SK10C-150	20
ET32-542	58	H100A-SF1000-6.30CP	95	H63A-SF16-95	92	HSK100A-SK10C-150P	21
ET32-542(C)	59	H100A-SF10-160	95	H63A-SF16-95CP	92	HSK100A-SK10C-200	20
ET32-562	58	H100A-SF10-160CP	95	H63A-SF20-100	92	HSK100A-SK10C-200P	21
ET32-590	58	H100A-SF10-90	94	H63A-SF20-100CP	92	HSK100A-SK16C-120	20
ET32-590(C)	59	H100A-SF10-90CP	94	H63A-SF20-160	93	HSK100A-SK16C-120P	21
ET32-652	58	H100A-SF12-160	95	H63A-SF20-160CP	93	HSK100A-SK16C-150	20
ET32-652(C)	59	H100A-SF12-160CP	95	H63A-SF25-115	92	HSK100A-SK16C-150P	21
ET40-255	58	H100A-SF1250-4.72	94	H63A-SF25-115CP	92	HSK100A-SK16C-200	20
ET40-318	58	H100A-SF1250-4.72CP	94	H63A-SF25-160	93	HSK100A-SK16C-200P	21
ET40-323	58	H100A-SF1250-6.30	95	H63A-SF25-160CP	93	HSK100A-SK25C-145	20
ET40-323(C)	59	H100A-SF1250-6.30CP	95	H63A-SF6-160	93	HSK100A-SK25C-145P	21
ET40-367	58	H100A-SF12-95	94	H63A-SF6-80	92	HSK100A-SK6C-105	20
ET40-367(C)	59	H100A-SF12-95CP	94	H63A-SF8-160	93	HSK100A-SK6C-105P	21

Part Number	Page	Part Number	Page	Part Number	Page	Part Number	Page
HSK100A-SM0750-4.00	143	HSK63A-0750-6.00	130	HSK63F-C1.1/4-110G	108	KM1-3/16	113
HSK100A-SM0750-6.00	143	HSK63A-1000-4.50	130	HSK63F-C1-100G	108	KM1-3/4	113
HSK100A-SM1000-4.00	143	HSK63A-1000-6.00	130	HSK63F-C3/4-95G	108	KM1-3/8	113
HSK100A-SM1000-6.00	143	HSK63A-1250-4.50	130	HSK63F-MMC12C-129	79	KM1-5/16	113
HSK100A-SM1250-4.00	143	HSK63A-1250-6.00	130	HSK63F-MMC8C-127	79	KM1-5/8	113
HSK100A-SM1250-6.00	143	HSK63A-C1.1/4-110	108	HSK63F-SK10C-105P	21	KM1-6	113
HSK100A-SM1500-4.00	143	HSK63A-C1.1/4-110G	108	HSK63F-SK16C-120P	21	KM1-7/16	113
HSK100A-SM1500-6.00	143	HSK63A-C1.1/4-130	108	HSK63F-VC13-120	69	KM1-7/8	113
HSK100A-SM2000-4.00	143	HSK63A-C1.1/4-130G	108	HSK63F-VC13-90	69	KM1-8	113
HSK100A-TESTBAR-14.0	239	HSK63A-C1-100	108	HSK63F-VC6-120	69	KM1-SET-08-MM	113
HSK100A-VC13-105	69	HSK63A-C1-100G	108	HSK63F-VC6-65	69	KM1-SET-10	113
HSK100A-VC13-135	69	HSK63A-C1-130	108	HSK63F-VC6-90	69	KM2-1	113
HSK100A-VC13-165	69	HSK63A-C1-130G	108	HSK63F-VC6-65	69	KM2-1-1/2	113
HSK100A-VC6-105	69	HSK63A-C3/4-110	108	HSK63F-VC6-90	69	KM2-1-1/4	113
HSK100A-VC6-135	69	HSK63A-C3/4-110G	108		20, 61, 74,	KM3/4-1/2	113
HSK100A-VC6-165	69	HSK63A-C3/4-95	108	HSK63-TUBE	79, 95, 117,	KM3/4-1/4	113
	20, 61, 74,	HSK63A-C3/4-95G	108		135, 147, 180	KM3/4-1/8	113
HSK100-TUBE	79, 95, 117,	HSK63A-C32-130	108		20, 61, 74,	KM3/4-10	113
	135, 147,	HSK63A-ER16-3.00	47	HSK63-WRENCH	79, 95, 117,	KM3/4-12	113
	153, 215	HSK63A-ER16-5.00	47		135, 147, 180	KM3/4-14	113
	20, 61, 74,	HSK63A-ER20-3.00	47	K1.1/4-MMC8C-122	80	KM3/4-16	113
	79, 95, 117,	HSK63A-ER20-5.00	47	K1.1/4-MMC8C-160	80	KM3/4-3/16	113
HSK100-WRENCH	135, 147,	HSK63A-ER25-3.00	47	K1.1/4-SK10-120	19	KM3/4-3/8	113
	153, 215	HSK63A-ER25-5.00	47	K1.1/4-SK10-150	19	KM3/4-5/16	113
	20, 61, 74,	HSK63A-ER32-4.00	47	K1.1/4-SK10-210	19	KM3/4-5/8	113
	79, 95, 117,	HSK63A-ER32-6.00	47	K1.1/4-SK16-120	19	KM3/4-6	113
	135, 147,	HSK63A-ER40-4.00	47	K1.1/4-SK16-150	19	KM3/4-7	113
	153, 215	HSK63A-ER40-6.00	47	K1.1/4-SK16-210	19	KM3/4-7/16	113
HSK125A-C1.1/4-115	109	HSK63A-JAW	234	K1.1/4-SK25-150	19	KM3/4-8	113
HSK125A-C1-115	109	HSK63A-KEY	234	K1.1/4-SK6-120	19	KM3/4-9/16	113
HSK125A-C2-125	109	HSK63A-MMCI2C-110-A	79	K1.1/4-SK6-170	19	KM3/4-SET-07-MM	113
HSK32E-SK10-60P	21	HSK63A-MMCI2C-117	79	K-3	156	KM3/4-SET-09	113
HSK32E-SK6-50P	21	HSK63A-MMCI2C-115	79	K3/4-MMC8C-100	80	KM32-1	113
HSK40A-0187-75	130	HSK63A-SK10C-105	20	K3/4-SK10-100	19	KM32-1/2	113
HSK40A-0500-75	130	HSK63A-SK10C-105P	21	K3/4-SK10-120	19	KM32-1/4	113
HSK40A-0750-75	130	HSK63A-SK10C-120	20	KM1.1/4-1	113	KM32-10	113
HSK40A-ER11-75	47	HSK63A-SK10C-120P	21	KM1.1/4-1/2	113	KM32-12	113
HSK40A-ER16-75	47	HSK63A-SK10C-150	20	KM1.1/4-1/4	113	KM32-14	113
HSK40A-ER20-75	47	HSK63A-SK10C-150P	21	KM1.1/4-10	113	KM32-16	113
HSK40A-ER32-80	47	HSK63A-SK16C-120	20	KM1.1/4-12	113	KM32-20	113
HSK40A-NPU8-114	152	HSK63A-SK16C-120P	21	KM1.1/4-14	113	KM32-25	113
HSK40A-SM0750-60	143	HSK63A-SK16C-150	20	KM1.1/4-16	113	KM32-26	113
HSK40A-SM1000-60	143	HSK63A-SK16C-150P	21	KM1.1/4-20	113	KM32-3/16	113
HSK40A-VC13-120	68	HSK63A-SK25C-135	20	KM1.1/4-25	113	KM32-3/4	113
HSK40A-VC13-90	68	HSK63A-SK25C-135P	21	KM1.1/4-3/16	113	KM32-3/8	113
HSK40A-VC6-65	68	HSK63A-SK6C-100	20	KM1.1/4-3/4	113	KM32-5/16	113
HSK40A-VC6-90	68	HSK63A-SK6C-100P	21	KM1.1/4-3/8	113	KM32-5/8	113
HSK40E-SK10-60P	21	HSK63A-SK6C-120	20	KM1.1/4-5/16	113	KM32-6	113
HSK40E-SK16-80P	21	HSK63A-SK6C-120P	21	KM1.1/4-5/8	113	KM32-7/16	113
HSK40E-SK6-60P	21	HSK63A-SK6C-150	20	KM1.1/4-6	113	KM32-7/8	113
HSK40E-VC13-120	68	HSK63A-SK6C-150P	21	KM1.1/4-7/16	113	KM32-8	113
HSK40E-VC13-90	68	HSK63A-SM0750-3.00	143	KM1.1/4-7/8	113	KM32-9/16	113
HSK40E-VC6-65	68	HSK63A-SM0750-5.00	143	KM1.1/4-8	113	KM32-SET-09-MM	113
HSK40E-VC6-90	68	HSK63A-SM1000-3.00	143	KM1.1/4-9/16	113	KM32-SET-11	113
HSK40-TUBE	20, 61, 74,	HSK63A-SM1000-5.00	143	KM1.1/4-SET-08-MM	113	MPK4-1	82
	135, 147, 153	HSK63A-SM1250-3.00	143	KM1.1/4-SET-11	113	MPK4-1.5	82
HSK40-WRENCH	20, 61, 74,	HSK63A-SM1250-5.00	143	KM1-1/2	113	MPK4-1/16	82
	135, 147, 153	HSK63A-TC0562-3.98C	164	KM1-1/4	113	MPK4-2	82
HSK63A-0187-5.00	130	HSK63A-TESTBAR-14.0	239	KM1-1/8	113	MPK4-2.5	82
HSK63A-0250-3.00	130	HSK63A-TOOLJAW	234	KM1-10	113	MPK4-3	82
HSK63A-0250-5.00	130	HSK63A-VC13-120	69	KM1-12	113	MPK4-3.5	82
HSK63A-0375-3.50	130	HSK63A-VC13-90	69	KM1-14	113	MPK4-3/32	82
HSK63A-0375-5.00	130	HSK63A-VC6-120	69	KM1-16	113	MPK4-4	82
HSK63A-0437-4.00	130	HSK63A-VC6-70	69	KM1-18	113	N3001-0750-1.31	144
HSK63A-0437-5.00	130	HSK63A-VC6-90	69	KM1-20	113	N3001-1000-1.31	144

Index

Part Number	Page	Part Number	Page	Part Number	Page	Part Number	Page
N3001-1250-1.44	144	NBT30-SK10C-60	24	NBT40-SK16C-60	25	NC5006-2000-5.35A	134
N3006-0125-1.75	132	NBT30-SK10C-60P	28	NBT40-SK16C-60P	29	NC5006-2000-5.37	134
N3006-0250-1.75	132	NBT30-SK10C-75	24	NBT40-SK16C-75	25	NC5006-2500-5.35A	134
N3006-0375-1.75	132	NBT30-SK10C-75P	28	NBT40-SK16C-75P	29	NC5006-2500-6.00	134
N3006-0500-1.75	132	NBT30-SK10C-90	24	NBT40-SK16C-90	25	NC5006-32-4.00	134
N3006-0750-2.25	132	NBT30-SK10C-90P	28	NBT40-SK16C-90P	29	NC5006-40-4.50	134
N3006-1000-2.69	132	NBT30-SK16C-120	24	NBT40-SK25C-120	25	NC5006-50-5.37	134
N3007-0100-2.75	198	NBT30-SK16C-120P	28	NBT40-SK25C-120P	29	NC5007-0016-4.12	50
N3007-0200-2.50	198	NBT30-SK16C-60	24	NBT40-SK25C-75	25	NC5007-0032-4.00	50
N4001-0750-0.87	144	NBT30-SK16C-60P	28	NBT40-SK25C-75P	29	NC5007-0040-4.00	50
N4001-1000-1.31	144	NBT30-SK16C-75	24	NBT40-SK25C-90	25	NC5011-0750-4.00	146
N4001-1500-1.63	144	NBT30-SK16C-75P	28	NBT40-SK25C-90P	29	NC5011-1000-4.00	146
N4003-0002-0.65	155	NBT30-SK16C-90	24	NBT40-SK6C-120	25	NC5011-1250-4.00	146
N4003-0003-0.61	155	NBT30-SK16C-90P	28	NBT40-SK6C-120P	29	NC5011-1500-4.00	146
N4003-0033-0.65	155	NBT30-SK20-60	24	NBT40-SK6C-150	25	NC5016-0500-4.00	134
N4004-0001-0.94	158	NBT30-SK20C-75	24	NBT40-SK6C-150P	29	NC5016-0625-4.00	134
N4004-0002-1.75	158	NBT30-SK20C-75P	28	NBT40-SK6C-60	25	NC5016-0750-4.00	134
N4004-0003-2.25	158	NBT30-SK20C-90	24	NBT40-SK6C-60P	29	NC5016-1000-6.00	134
N4004-0004-3.00	158	NBT30-SK20C-90P	28	NBT40-SK6C-90	25	NC5016-1250-6.00	134
N4005-0562-3.90	167	NBT30-SK25-90	24	NBT40-SK6C-90P	29	NC5017-0016-6.00	50
N4006-0125-2.31	132	NBT30-SK25-90P	28	NBT40-VC13-120	71	NC5017-0020-4.00	50
N4006-0187-2.31	132	NBT30-SK6C-120	24	NBT40-VC13-150	71	NC5017-0025-4.00	50
N4006-0250-2.31	132	NBT30-SK6C-120P	28	NBT40-VC13-60	71	NC5017-0032-6.00	50
N4006-0312-2.31	132	NBT30-SK6C-60	24	NBT40-VC13-90	71	NC5021-0750-6.00	146
N4006-0375-2.31	132	NBT30-SK6C-60P	28	NBT40-VC6-120	71	NC5021-1000-6.00	146
N4006-0500-2.31	132	NBT30-SK6C-90	24	NBT40-VC6-150	71	NC5021-1250-6.00	146
N4006-0625-2.31	132	NBT30-SK6C-90P	28	NBT40-VC6-60	71	NC5021-1500-6.00	146
N4006-0750-2.31	132	NBT30-VC13-120	71	NBT40-VC6-90	71	NC5026-0750-6.00	134
N4006-0875-2.94	132	NBT30-VC13-60	71	NC4001-0750-1.75	146	NC5031-0750-8.00	146
N4006-1000-3.37	132	NBT30-VC13-90	71	NC4001-1000-1.75	146	NC5031-1000-8.00	146
N4007-0016-1.77	48	NBT30-VC6-45	71	NC4001-1250-2.00	146	NC5031-1500-8.00	146
N4007-0025-2.00	48	NBT30-VC6-60	71	NC4001-1500-2.00	146	NC50F1-2500-2.95	146
N4007-1000-3.00	190	NBT30-VC6-90	71	NC4006-0500-2.50	134	NCAT40-C1.1/4SL105UG	111
N4008-0013	215	NBT40-C1.1/4-120	112	NC4006-0625-3.00	134	NCAT40-C1.1/4SL120U	111
N5001-1500-1.88	144	NBT40-C1.1/4-120G	112	NC4006-0750-3.00	134	NCAT40-C1.1/4SL120UG	111
N5007-1000-3.50	190	NBT40-C1.1/4-85	112	NC4006-1000-4.00	134	NCAT40-C1.1/4SL85UG	111
N5008-0013	215	NBT40-C1.1/4-85G	112	NC4006-1250-4.00	134	NCAT40-C1-105U	111
N50F1-2500-3.00	144	NBT40-C1-70	112	NC4006-1500-4.50	134	NCAT40-C1-85UG	111
NB3001-0750-1.19	146	NBT40-C1-70G	112	NC4007-0016-3.50	50	NCAT40-C3/4-120UG	111
NB3001-1000-1.19	146	NBT40-C1-90	112	NC4007-0020-2.50	50	NCAT40-MMC12C-90	81
NB3007-0008-2.00	51	NBT40-C1-90G	112	NC4007-0025-2.50	50	NCAT40-MMC8C-90	81
NB3007-0011-2.00	51	NBT40-C3/4-70	112	NC4007-0032-3.13	50	NCAT40-SK10C-120U	22
NB3007-0016-2.36	51	NBT40-C3/4-70G	112	NC4007-0040-3.13	50	NCAT40-SK10C-120UP	26
NB3007-0020-2.50	51	NBT40-MMC12C-90	81	NC4011-0750-4.00	146	NCAT40-SK10C-150U	22
NB3007-0025-2.00	51	NBT40-MMC8C-90	81	NC4011-1000-4.00	146	NCAT40-SK10C-150UP	26
NB3007-0032-3.00	51	NBT40-SK10C-120	25	NC4011-1250-4.00	146	NCAT40-SK10C-180U	22
NB3017-0008-4.00	51	NBT40-SK10C-120P	29	NC4016-0500-4.00	134	NCAT40-SK10C-90U	22
NB3017-0011-4.00	51	NBT40-SK10C-150	25	NC4016-0750-4.00	134	NCAT40-SK10C-90UP	26
NB3017-0016-4.00	51	NBT40-SK10C-150P	29	NC4017-0016-6.00	50	NCAT40-SK16C-120U	22
NB3017-0020-4.00	51	NBT40-SK10C-180	25	NC4017-0020-4.00	50	NCAT40-SK16C-120UP	26
NB3017-0025-4.00	51	NBT40-SK10C-200	25	NC4017-0025-4.00	50	NCAT40-SK16C-150U	22
NB3017-0032-5.00	51	NBT40-SK10C-250	25	NC4017-0032-5.00	50	NCAT40-SK16C-150UP	26
NB3027-0016-5.00	51	NBT40-SK10C-60	25	NC4026-0500-5.00	134	NCAT40-SK16C-180U	22
NB3037-0016-6.00	51	NBT40-SK10C-60P	29	NC5001-0750-1.75	146	NCAT40-SK16C-60U	22
NB3057-0020-1.22	51	NBT40-SK10C-75	25	NC5001-1000-1.75	146	NCAT40-SK16C-60UP	26
NBT30-C1.1/4-100G	112	NBT40-SK10C-75P	29	NC5001-1250-1.75	146	NCAT40-SK16C-90U	22
NBT30-C1-75G	112	NBT40-SK10C-90	25	NC5001-1500-2.00	146	NCAT40-SK16C-90UP	26
NBT30-C3/4-75	112	NBT40-SK10C-90P	29	NC5001-2000-2.00	146	NCAT40-SK20C-120U-IDU	22
NBT30-C3/4-75G	112	NBT40-SK16C-120	25	NC5006-0500-2.63	134	NCAT40-SK20C-120UP-IDU	26
NBT30-MMC12C-105	81	NBT40-SK16C-120P	29	NC5006-0625-3.00	134	NCAT40-SK20C-150U-IDU	22
NBT30-MMC8C-105	81	NBT40-SK16C-150	25	NC5006-0750-3.00	134	NCAT40-SK20C-150UP-IDU	26
NBT30-SK10C-120	24	NBT40-SK16C-150P	29	NC5006-1000-4.00	134	NCAT40-SK20C-180U-IDU	22
NBT30-SK10C-120P	28	NBT40-SK16C-180	25	NC5006-1250-3.00A	134	NCAT40-SK20C-50U-IDU	22
NBT30-SK10C-45	24	NBT40-SK16C-200	25	NC5006-1250-4.00	134	NCAT40-SK20C-65U-IDU	22
NBT30-SK10C-45P	28	NBT40-SK16C-250	25	NC5006-1500-4.50	134	NCAT40-SK20C-65UP-IDU	26

Part Number	Page	Part Number	Page	Part Number	Page	Part Number	Page
NCAT40-SK20C-90U-IDU	22	NK1.1/4-20	114	NK32-7/16	114	NT15-072(S)	169
NCAT40-SK20C-90UP-IDU	26	NK1.1/4-25	114	NK32-7/8	114	NT15-080	168
NCAT40-SK25C-120U	22	NK1.1/4-3/16	114	NK32-8	114	NT15-080(S)	169
NCAT40-SK25C-120UP	26	NK1.1/4-3/4	114	NK32-9/16	114	NT15-088	168
NCAT40-SK25C-90U	22	NK1.1/4-3/8	114	NMTB40-C1.1/4-105	110	NT15-088(S)	169
NCAT40-SK25C-90UP	26	NK1.1/4-5/16	114	NMTB40-C3/4-70	110	NT15-SET-07	168
NCAT40-SK6C-120U	22	NK1.1/4-5/8	114	NMTB40-NPU13-86	152	NTP05-SET-12	170
NCAT40-SK6C-120UP	26	NK1.1/4-6	114	NMTB40-NPU8-76	152	NTP10-SET-13	170
NCAT40-SK6C-150U	22	NK1.1/4-7/16	114	NMTB50-C1.1/4-90	110	NTP15-SET-10	170
NCAT40-SK6C-150UP	26	NK1.1/4-7/8	114	NMTB50-C2-105	110	NTP105-008L	170
NCAT40-SK6C-90U	22	NK1.1/4-8	114	NMTB50-C3/4-65	110	NTP105-008L(S)	170
NCAT40-SK6C-90UP	26	NK1.1/4-9/16	114	NMTB50-NPU13-86	152	NTP105-008S	170
NCAT40-VC13-120U	70	NK1-1/2	114	NPU13-SPAN	153	NTP105-008S(S)	170
NCAT40-VC13-60U	70	NK1-1/4	114	NPU8-SPAN	153	NTPT10-016	170
NCAT40-VC13-90U	70	NK1-1/8	114	NT05-006	168	NTPT10-016(S)	170
NCAT40-VC6-120U	70	NK1-10	114	NT05-006(S)	169	NTPT10-024	170
NCAT40-VC6-60U	70	NK1-12	114	NT05-008	168	NTPT10-024(S)	170
NCAT40-VC6-90U	70	NK1-14	114	NT05-008(S)	169	NTPT10-032	170
NCAT50-C1.1/4-105UG	111	NK1-16	114	NT05-010	168	NTPT10-032(S)	170
NCAT50-C1.1/4-90U	111	NK1-18	114	NT05-010(S)	169	NTPT15-032	170
NCAT50-C1.1/4-90UG	111	NK1-20	114	NT05-012	168	NTPT15-032(S)	170
NCAT50-C1-105UG	111	NK1-3/16	114	NT05-012(S)	169	NTPT15-048	170
NCAT50-C1-135U	111	NK1-3/4	114	NT05-016	168	NTPT15-048(S)	170
NCAT50-C1-135UG	111	NK1-3/8	114	NT05-016(S)	169	NTPT15-064	170
NCAT50-C2-105U	111	NK1-5/16	114	NT05-020	168	NTPT15-064(S)	170
NCAT50-C3/4-105U	111	NK1-5/8	114	NT05-020(S)	169	PF-2	236
NCAT50-C3/4-105UG	111	NK1-6	114	NT05-024	168	PF-STYLUS-2	236
NCAT50-C3/4-135U	111	NK1-7/16	114	NT05-024(S)	169	PS-1	230
NCAT50-C3/4-165U	111	NK1-7/8	114	NT05-028	168	PS-130E	230
NCAT50-SK10C-105U	23	NK1-8	114	NT05-028(S)	169	PS-132	230
NCAT50-SK10C-105UP	27	NK2-1	114	NT05-032	168	PS-16	230
NCAT50-SK10C-165U	23	NK2-1-1/2	114	NT05-032(S)	169	PS-17	230
NCAT50-SK10C-165UP	27	NK2-1-1/4	114	NT05-036	168	PS-801	230
NCAT50-SK10C-195U	23	NK3/4-1/2	114	NT05-036(S)	169	PS-805	230
NCAT50-SK10C-225U	23	NK3/4-1/4	114	NT05-SET-10	168	PS-B61	229
NCAT50-SK16C-105U	23	NK3/4-1/8	114	NT10-020	168	R8007-0016-1.00	48
NCAT50-SK16C-105UP	27	NK3/4-10	114	NT10-020(S)	169	R8007-0020-2.00	48
NCAT50-SK16C-165U	23	NK3/4-12	114	NT10-024	168	RACK-180DA/SK16/ER25	32, 60
NCAT50-SK16C-165UP	27	NK3/4-14	114	NT10-024(S)	169	RACK-5C/100TG/SK25	34, 196, 221
NCAT50-SK16C-195U	23	NK3/4-16	114	NT10-028	168	RACK-ER11/SK6	30, 60
NCAT50-SK20C-105U-IDU	23	NK3/4-3/16	114	NT10-028(S)	169	RACK-ER16/SK10	31
NCAT50-SK20C-105U-IDU	23	NK3/4-3/8	114	NT10-032	168	RACK-ER20/1TAP	60, 180
NCAT50-SK25C-105U	23	NK3/4-5/16	114	NT10-032(S)	169	RACK-ER32/2TAP	60, 180
NCAT50-SK25C-105UP	27	NK3/4-5/8	114	NT10-036	168	RACK-ER40	60
NCAT50-SK25C-165U	23	NK3/4-6	114	NT10-036(S)	169	RACK-R8	218
NCAT50-SK25C-165UP	27	NK3/4-7	114	NT10-040	168	S1/2-20UNF	135
NCAT50-SK25C-195U	23	NK3/4-7/16	114	NT10-040(S)	169	S1/4-28x1/4	135
NCAT50-SK6C-105U	23	NK3/4-8	114	NT10-044	168	S1005-0562-7.63	167
NCAT50-SK6C-105UP	27	NK3/4-9/16	114	NT10-044(S)	169	S1005-0875-9.05	167
NCAT50-SK6C-165U	23	NK32-1	114	NT10-048	168	S1006-0375-6.00	133
NCAT50-SK6C-165UP	27	NK32-1/2	114	NT10-048(S)	169	S1006-0500-6.00	133
NCAT50-SK6C-195U	23	NK32-1/4	114	NT10-052	168	S1-14x7/8	135
NCAT50-VC13-105U	70	NK32-10	114	NT10-052(S)	169	S1507-1000-9.00	191
NCAT50-VC13-135U	70	NK32-12	114	NT10-056	168	S3/4-16X11/16	135
NCAT50-VC13-165U	70	NK32-14	114	NT10-056(S)	169	S3/4-16x7/16	135
NCAT50-VC6-105U	70	NK32-16	114	NT10-SET-10	168	S3/8-24X5/16	135
NCAT50-VC6-135U	70	NK32-20	114	NT15-052	168	S5/16-24X1/4	135
NCAT50-VC6-165U	70	NK32-25	114	NT15-052(S)	169	S5/8-18X1/2	135
NK1.1/4-1	114	NK32-26	114	NT15-056	168	S6-32X1/4	135
NK1.1/4-1/2	114	NK32-3/16	114	NT15-056(S)	169	S7/16-20X3/8	135
NK1.1/4-1/4	114	NK32-3/4	114	NT15-060	168	S7506-0125-6.00	133
NK1.1/4-10	114	NK32-3/8	114	NT15-060(S)	169	S7506-0187-6.00	133
NK1.1/4-12	114	NK32-5/16	114	NT15-064	168	S7506-0250-6.00	133
NK1.1/4-14	114	NK32-5/8	114	NT15-064(S)	169	S7506-0312-6.00	133
NK1.1/4-16	114	NK32-6	114	NT15-072	168	S8-32X1/4	135

Index

Part Number	Page	Part Number	Page	Part Number	Page	Part Number	Page
S9/16-18X1/2	135	SE2-6.3X5.0	171	SES1-8.0X6.3	177	SK10-2.5	31
SC1630C	241	SE2-7.0X5.5	172, 173	SES1-8.5X6.5	179	SK10-2.75	31
SC1645C	241	SE2-7.1X5.6	171	SES1-9.0X7.0	178	SK10-3	31
SC1660D	241	SE2-8.0X6.0	173	SES1-9.0X7.1	177	SK10-3.5	31
SCM1045C	243	SE2-8.0X6.2	172	SES2-10.0X8.0	177, 178	SK10-3/16A	31
SCM1045CL	243	SE2-8.0X6.3	171	SES2-10.5X8.0	179	SK10-3/16AC	31
SE1-10.0X8.0	171, 172	SE2-8.5X6.5	173	SES2-11.0X9.0	178	SK10-3/8A	31
SE1-10.5X8.0	173	SE2-9.0X7.0	172	SES2-11.2X9.0	177	SK10-3/8AC	31
SE1-11.0X9.0	172	SE2-9.0X7.1	171	SES2-12.0X9.0	178	SK10-3AC	31
SE1-11.2X9.0	171	SE2-9.5X7.0	173	SES2-12.5X10.0	177, 179	SK10-4	31
SE1-2.24X1.8	171	SE3-10.0X8.0	171, 172	SES2-14.0X11.0	178	SK10-4.5	31
SE1-2.50X2.0	171	SE3-10.5X8.0	173	SES2-14.0X11.0 (JIS)	179	SK10-4AC	31
SE1-2.5X2.1	172	SE3-11.0X9.0	172	SES2-14.0X11.2	177	SK10-5	31
SE1-2.80X2.24	171	SE3-11.2X9.0	171	SES2-15.0X12.0	179	SK10-5.5	31
SE1-2.8X2.1	172	SE3-12.0X9.0	172	SES2-16.0X12.0	178	SK10-5/16A	31
SE1-3.0X2.5	173	SE3-12.5X10.0	171, 173	SES2-16.0X12.5	177	SK10-5/16AC	31
SE1-3.15X2.50	171	SE3-14.0X11.0	172, 173	SES2-17.0X13.0	179	SK10-5AC	31
SE1-3.55X2.80	171	SE3-14.0X11.2	171	SES2-18.0X14.0	177	SK10-6	31
SE1-3.5X2.7	172	SE3-15.0X12.0	173	SES2-18.0X14.5	178	SK10-6.5	31
SE1-4.0X3.0	172	SE3-16.0X12.0	172	SES2-3.5X2.7	178	SK10-6AC	31
SE1-4.0X3.15	171	SE3-16.0X12.5	171	SES2-4.0X3.0	178	SK10-7	31
SE1-4.0X3.2	173	SE3-17.0X13.0	173	SES2-4.5X3.4	178	SK10-7.5	31
SE1-4.5X3.4	172	SE3-18.0X14.0	171	SES2-5.0X4.0	177	SK10-7AC	31
SE1-4.5X3.55	171	SE3-18.0X14.5	172	SES2-6.0X4.9	178	SK10-8	31
SE1-5.0X4.0	171, 173	SE3-19.0X15.0	173	SES2-6.2X5.0	179	SK10-8.5	31
SE1-5.5X4.5	173	SE3-20.0X15.0	173	SES2-6.3X5.0	177	SK10-8AC	31
SE1-5.6X4.5	171	SE3-20.0X16.0	171, 172	SES2-7.0X5.5	178	SK10-9	31
SE1-6.0X4.5	173	SE3-21.0X17.0	173	SES2-7.1X5.6	177	SK10-9.5	31
SE1-6.0X4.9	172	SE3-22.0X18.0	172	SES2-8.0X6.0	179	SK10-9AC	31
SE1-6.2X5.0	173	SE3-22.4X18.0	171	SES2-8.0X6.2	178	SK10-SET05-A	31
SE1-6.3X5.0	171	SE3-23.0X17.0	173	SES2-8.0X6.3	177	SK10-SET08-AC-MM	31
SE1-7.0X5.5	172, 173	SE3-24.0X19.0	173	SES2-8.5X6.5	179	SK10-SET19-MM	31
SE1-7.1X5.6	171	SE3-25.0X19.0	173	SES2-9.0X7.0	178	SK16-1/2A	32
SE1-8.0X6.0	173	SE3-25.0X20.0	171, 172	SES2-9.0X7.1	177	SK16-1/2AC	32
SE1-8.0X6.2	172	SE3-26.0X21.0	173	SES3-10.0X8.0	177, 178	SK16-1/4A	32
SE1-8.0X6.3	171	SE3-28.0X21.0	173	SES3-11.0X9.0	178	SK16-1/8A	32
SE1-8.5X6.5	173	SE3-28.0X22.0	172	SES3-11.2X9.0	177	SK16-10	32
SE1-9.0X7.0	172	SE3-9.0X7.0	172	SES3-12.0X9.0	178	SK16-10.5	32
SE1-9.0X7.1	171	SE3-9.0X7.1	171	SES3-12.5X10.0	177, 179	SK16-10AC	32
SE1-9.5X7.0	173	SES1-10.0X8.0	177, 178	SES3-14.0X11.0	178	SK16-11	32
SE2-10.0X8.0	171, 172	SES1-10.5X8.0	179	SES3-15.0X12.0	179	SK16-11.5	32
SE2-10.5X8.0	173	SES1-11.0X9.0	178	SES3-16.0X12.0	177	SK16-11AC	32
SE2-11.0X9.0	172	SES1-11.2X9.0	177	SES3-18.0X14.0	178	SK16-12	32
SE2-11.2X9.0	171	SES1-2.50X2.0	177	SES3-18.0X14.5	178	SK16-12.5	32
SE2-12.0X9.0	172	SES1-2.5X2.1	178	SES3-19.0X15.0	179	SK16-12AC	32
SE2-12.5X10.0	171, 173	SES1-2.8X2.1	178	SES3-20.0X15.0	179	SK16-13	32
SE2-13.0X10.0	173	SES1-3.0X2.5	179	SES3-20.0X16.0	177, 178	SK16-13.5	32
SE2-14.0X11.0	172, 173	SES1-3.15X2.50	177	SES3-22.0X18.0	178	SK16-14	32
SE2-14.0X11.2	171	SES1-3.55X2.80	177	SES3-23.0X17.0	179	SK16-14.5	32
SE2-15.0X12.0	173	SES1-3.5X2.7	178	SES3-25.0X20.0	177, 178	SK16-14AC	32
SE2-16.0X12.0	172	SES1-4.0X3.0	178	SES3-28.0X21.0	179	SK16-15	32
SE2-16.0X12.5	171	SES1-4.0X3.15	177	SES3-28.0X22.0	178	SK16-15.5	32
SE2-17.0X13.0	173	SES1-4.0X3.2	179	SES3-28.0X22.4	177	SK16-16	32
SE2-18.0X14.0	171	SES1-4.5X3.4	178	SES3-8.0X6.2	178	SK16-16AC	32
SE2-18.0X14.5	172	SES1-4.5X3.55	177	SES3-9.0X7.0	178	SK16-3	32
SE2-2.8X2.1	172	SES1-5.0X4.0	177, 179	SF-F16-UNIT	85	SK16-3.5	32
SE2-3.5X2.7	172	SES1-5.5X4.5	179	SF-START2-UNIT	85	SK16-3/16A	32
SE2-4.0X3.0	172	SES1-6.0X4.5	179	SK10-1/4A	31	SK16-3/8A	32
SE2-4.0X3.15	171	SES1-6.0X4.9	178	SK10-1/4AC	31	SK16-4	32
SE2-4.5X3.55	171	SES1-6.2X5.0	179	SK10-1/8A	31	SK16-4.5	32
SE2-5.0X4.0	171	SES1-6.3X5.0	177	SK10-1/8AC	31	SK16-5	32
SE2-5.6X4.5	171	SES1-7.0X5.5	178	SK10-10	31	SK16-5.5	32
SE2-6.0X4.5	173	SES1-7.1X5.6	177	SK10-10AC	31	SK16-5/16A	32
SE2-6.0X4.9	172	SES1-8.0X6.0	179	SK10-2	31	SK16-5/8A	32
SE2-6.2X5.0	173	SES1-8.0X6.2	178	SK10-2.25	31	SK16-5/8AC	32



Part Number	Page	Part Number	Page	Part Number	Page	Part Number	Page
SK16-6	32	SK20-8.5	33	SKG16-10HGA	37	SKJ16-9/16C	35
SK16-6.5	32	SK20-9	33	SKG16-12GB	37	SKJ16-BLANK	35, 73
SK16-6AC	32	SK20-9.5	33	SKG16-12HG	37	SKJ25-1	35
SK16-7	32	SK20-9/16A	33	SKG16-12HGA	37	SKJ25-1/2	35
SK16-7.5	32	SK20-9/16AC	33	SKG16-12HGBA	37	SKJ25-1/2C	35
SK16-7/16A	32	SK25-1/2A	34	SKG-18H	37	SKJ25-1/4	35
SK16-7/16AC	32	SK25-1/4A	34	SKG-18HA	37	SKJ25-1/4C	35
SK16-7AC	32	SK25-16.5	34	SKG-18L	37	SKJ25-10	35
SK16-8	32	SK25-17	34	SKG-18S	37	SKJ25-10C	35
SK16-8.5	32	SK25-17.5	34	SKG-22	37	SKJ25-11/16	35
SK16-8AC	32	SK25-18	34	SKG25-18HGC	37	SKJ25-11/16C	35
SK16-9	32	SK25-18.5	34	SKG25-18HGD	37	SKJ25-13/16	35
SK16-9.5	32	SK25-19	34	SKG25-18HGE	37	SKJ25-13/16C	35
SK16-9/16A	32	SK25-19.5	34	SKG25-24HG	37	SKJ25-15/16	35
SK16-9/16AC	32	SK25-20	34	SKG25-24HGA	37	SKJ25-15/16C	35
SK16-9AC	32	SK25-20.5	34	SKG-28	37	SKJ25-16	35
SK16-SET-09-A	32	SK25-20AC	34	SKG-28H	37	SKJ25-16C	35
SK16-SET-27-MM	32	SK25-21	34	SKG6-6HG	37	SKJ25-17.5	35
SK20-1/2A	33	SK25-21.5	34	SKG-8	37	SKJ25-17.5C	35
SK20-1/2AC	33	SK25-22	34	SKJ10-1/4	35, 73	SKJ25-18	35
SK20-1/4A	33	SK25-22.5	34	SKJ10-1/4C	35, 73	SKJ25-18C	35
SK20-1/8A	33	SK25-23	34	SKJ10-1/8	35, 73	SKJ25-1C	35
SK20-10	33	SK25-23.5	34	SKJ10-1/8C	35, 73	SKJ25-20	35
SK20-10.5	33	SK25-24	34	SKJ10-10	35	SKJ25-20C	35
SK20-11	33	SK25-24.5	34	SKJ10-10C	35	SKJ25-25	35
SK20-11.5	33	SK25-25	34	SKJ10-3	35, 73	SKJ25-25C	35
SK20-12	33	SK25-25.4	34	SKJ10-3/16	35, 73	SKJ25-3/16	35
SK20-12.5	33	SK25-25AC	34	SKJ10-3/16C	35, 73	SKJ25-3/16C	35
SK20-12AC	33	SK25-3/16A	34	SKJ10-3/8	35	SKJ25-3/4	35
SK20-13	33	SK25-3/4A	34	SKJ10-3/8C	35	SKJ25-3/4C	35
SK20-13.5	33	SK25-3/4AC	34	SKJ10-3C	35, 73	SKJ25-3/8	35
SK20-14	33	SK25-3/8A	34	SKJ10-4C	35, 73	SKJ25-3/8C	35
SK20-14.5	33	SK25-5/16A	34	SKJ10-5	35, 73	SKJ25-5/16	35
SK20-15	33	SK25-5/8A	34	SKJ10-5/16	35	SKJ25-5/16C	35
SK20-15.5	33	SK25-7/16A	34	SKJ10-5/16C	35	SKJ25-5/8	35
SK20-16	33	SK25-7/8AC	34	SKJ10-6	35, 73	SKJ25-5/8C	35
SK20-16.5	33	SK25-SET-08-A	34	SKJ10-6C	35, 73	SKJ25-7/16	35
SK20-16AC	33	SK25-SET-19-MM	34	SKJ10-8	35	SKJ25-7/16C	35
SK20-17	33	SK6-0.8	30	SKJ10-8C	35	SKJ25-7/8	35
SK20-17.5	33	SK6-1	30	SKJ10-BLANK	35, 73	SKJ25-7/8C	35
SK20-18	33	SK6-1.25	30	SKJ16-1/2	35, 73	SKJ25-8	35
SK20-18.5	33	SK6-1.5	30	SKJ16-1/2C	35, 73	SKJ25-8C	35
SK20-18AC	33	SK6-1.75	30	SKJ16-1/4	35, 73	SKJ25-BLANK	35
SK20-19	33	SK6-1/8A	30	SKJ16-1/4C	35, 73	SKJ6-1/8	35
SK20-19.5	33	SK6-16S(MM)	30	SKJ16-10	35, 73	SKJ6-1/8C	35
SK20-20	33	SK6-2	30	SKJ16-10C	35, 73	SKJ6-3	35
SK20-20AC	33	SK6-2.25	30	SKJ16-12	35, 73	SKJ6-3/16	35
SK20-3/16A	33	SK6-2.5	30	SKJ16-12C	35, 73	SKJ6-3/16C	35
SK20-3/4A	33	SK6-2.75	30	SKJ16-16	35	SKJ6-3C	35
SK20-3/4AC	33	SK6-3	30	SKJ16-16C	35	SKJ6-4	35
SK20-3/8A	33	SK6-3.5	30	SKJ16-16C	35	SKJ6-4C	35
SK20-4	33	SK6-3/16A	30	SKJ16-3/8	35, 73	SKJ6-5	35
SK20-4.5	33	SK6-4	30	SKJ16-3/8C	35, 73	SKJ6-5C	35
SK20-5	33	SK6-4.5	30	SKJ16-5/16	35, 73	SKJ6-6	35
SK20-5.5	33	SK6-5	30	SKJ16-5/16C	35, 73	SKJ6-6C	35
SK20-5/16A	33	SK6-5.5	30	SKJ16-5/8	35	SKJ6-BLANK	35
SK20-5/8A	33	SK6-6	30	SKJ16-5/8C	35	SKJ16-10	35, 73
SK20-5/8AC	33	SKG10-10HG	37	SKJ16-6	35, 73	SKJ16-16	35, 73
SK20-6	33	SKG10-10HGA	37	SKJ16-6C	35, 73	SKJ16-25	35
SK20-6.5	33	SKG-12	37	SKJ16-7/16	35, 73	SKJ16-6	35
SK20-7	33	SKG-12H	37	SKJ16-7/16C	35, 73	SKL-10	36
SK20-7.5	33	SKG-12HA	37	SKJ16-8	35, 73	SKL-6W	36
SK20-7/16A	33	SKG-12L	37	SKJ16-8C	35, 73	SKN-10B	36
SK20-7/16AC	33	SKG-12S	37	SKJ16-9/16	35	SKN-10B (GH)	36
SK20-8	33	SKG16-10HG	37			SKN-10BJ	35

Technical / Index

Index

Part Number	Page	Part Number	Page	Part Number	Page	Part Number	Page
SKN-10BJ (GH)	35	T10-028(S)	175	TQW-ER08	61	VMK12-12	82
SKN-16B	36	T10-032	174	TQW-ER11(17)	61, 244	VMK12-12J	82
SKN-16B (GH)	36	T10-032(S)	175	TQW-ER11NA	244	VMK12-3/16	82
SKN-16BJ (GH)	35	T10-036	174	TQW-ER16(32)	61	VMK12-3/16J	82
SKN-16BJ	35	T10-036(S)	175	TQW-ER16/SK13(32)	244	VMK12-3/8	82
SKN-20B	36	T10-040	174	TQW-ER20(32)	61, 244	VMK12-3/8J	82
SKN-20B (GH)	36	T10-040(S)	175	TQW-ER25(43)	61, 244	VMK12-4	82
SKN-20BJ	35	T10-044	174	TQW-ER32(50)	61	VMK12-4J	82
SKN-20BJ (GH)	35	T10-044(S)	175	TQW-ER32/SK20(50)	36, 244	VMK12-5	82
SKN-25B	36	T10-048	174	TQW-ER40(63)	61, 244	VMK12-5/16	82
SKN-25B (GH)	36	T10-048(S)	175	TQW-ER8NA	244	VMK12-5/16J	82
SKN-25BJ (GH)	35	T10-052	174	TQW-GH06	244	VMK12-5J	82
SKN-25BJ	35	T10-052(S)	175	TQW-GH10	244	VMK12-6	82
SKN-6WB	36	T10-056	174	TQW-GH16	244	VMK12-6J	82
SKN-6WB (GH)	36	T10-056(S)	175	TQW-GH20	244	VMK12-7/16	82
SKN-6WBJ (GH)	35	T10-064	174	TQW-GH25	244	VMK12-7/16J	82
SKN-6WBJ	35	T10-064(S)	175	TQW-GH32	244	VMK12-8	82
SKR-10	36	T10-SET-10	174	TQW-PS(13)	244	VMK12-8J	82
SKR-16	36	T10-SPAN	180	TQW-PS(19)	244	VMK8-1/4	82
SKR-20	36	T15-052	174	TQW-PS(30)	244	VMK8-1/4J	82
SKR-25	36	T15-052(S)	175	TQW-PS(32)	244	VMK8-1/8	82
SKR-6	36	T15-056	174	TQW-SK06(18)	36, 244	VMK8-1/8J	82
SP1-1/2	213	T15-056(S)	175	TQW-SK10(1)	36, 244	VMK8-10	82
SP1-1/2-1/2	213	T15-060	174	TQW-SK16(43)	36, 244	VMK8-10J	82
SP1-1/2-1/4	213	T15-064	174	TQW-SK25(60)	36, 244	VMK8-2	82
SP1-1/2-1/8	213	T15-064(S)	175	TQW-TG075(50)	196, 244	VMK8-2J	82
SP1-1/2-3/8	213	T15-072	174	TQW-TG100(63)	196, 244	VMK8-3	82
SP1-1/4	213	T15-072(S)	175	TQW-TG150(82)	196, 244	VMK8-3/16	82
SP1-1/4-1/2	213	T15-080	174	VCG13-15A	74	VMK8-3/16J	82
SP1-1/4-1/4	213	T15-080(S)	175	VCG6-8A	74	VMK8-3/8	82
SP1-1/4-1/8	213	T15-088	174	VCK13-1/2	72	VMK8-3/8J	82
SP1-1/4-3/8	213	T15-088(S)	175	VCK13-1/4	72	VMK8-3J	82
SP1-1/8	213	T15-SET-07	174	VCK13-1/8	72	VMK8-4	82
SP1-3/8	213	T15-SPAN	180	VCK13-10	72	VMK8-4J	82
SP3/4-1/2	213	TCL-100GH	235	VCK13-11	72	VMK8-5	82
SP3/4-1/4	213	TCL-100HD	235	VCK13-12	72	VMK8-5/16	82
SP3/4-1/8	213	TCL-32GH	235	VCK13-3	72	VMK8-5/16J	82
SP3/4-3/8	213	TCL-32HD	235	VCK13-3/16	72	VMK8-5J	82
T05-006	174	TCL-40GH	235	VCK13-3/8	72	VMK8-6	82
T05-006(S)	175	TCL-40HD	235	VCK13-4	72	VMK8-6J	82
T05-008	174	TCL-50GH	235	VCK13-5	72	VMK8-8	82
T05-008(S)	175	TCL-50HD	235	VCK13-5/16	72	VMK8-8J	82
T05-010	174	TCL-63GH	235	VCK13-6	72	W1005-0562-4.88(C)	165
T05-010(S)	175	TCL-63HD	235	VCK13-7	72	W1005-0562-6.41	165
T05-012	174	TCL-BD	235	VCK13-7/16	72	W1005-0875-6.3(C)	165
T05-012(S)	175	TPO5-SET-12	176	VCK13-8	72	W10R5-0562-3.74	166
T05-016	174	TP10-SET-13	176	VCK13-9	72	W10R5-0562-3.77(C)	166
T05-016(S)	175	TP15-SET-10	176	VCK6-1/4	72	W10R5-0875-4.4	166
T05-020	174	TPT05-008L	176	VCK6-1/8	72	W10S5-0562-3.81	165
T05-020(S)	175	TPT05-008L(S)	176	VCK6-2	72	W10S5-0875-4.76	165
T05-024	174	TPT05-008S	176	VCK6-3	72	W1505-1375-10.5	165
T05-024(S)	175	TPT05-008S(S)	176	VCK6-3/16	72	W15S5-1375-6.55	165
T05-028	174	TPT10-016	176	VCK6-4	72	W30	238
T05-028(S)	175	TPT10-016(S)	176	VCK6-5	72	W35	238
T05-032	174	TPT10-024	176	VCK6-6	72	W40	238
T05-032(S)	175	TPT10-024(S)	176	VCN-13B	74	W50	238
T05-036	174	TPT10-032	176	VCN-13BJ	73, 74	W7505-0562-6.36	165
T05-036(S)	175	TPT10-032(S)	176	VCN-6B	74	W75R5-0562-3.49(C)	166
T05-SET-10	174	TPT15-032	176	VCN-6BJ	73, 74	WRENCH-ALLEN6	77, 78, 79, 80
T05-SPAN	180	TPT15-032(S)	176	VMK12-1/2	82	WRENCH-THEX5	77, 78, 79
T10-020	174	TPT15-048	176	VMK12-1/2J	82	ZERO-SET4	237
T10-020(S)	175	TPT15-048(S)	176	VMK12-1/4	82		
T10-024	174	TPT15-064	176	VMK12-1/4J	82		
T10-024(S)	175	TQW-025	36, 61, 244	VMK12-10	82		
T10-028	174	TQW-150	36, 61, 196, 244	VMK12-10J	82		



## Lyndex-Nikken website:

Be sure to check out  
our customer-friendly website  
***[www.lyndexnikken.com](http://www.lyndexnikken.com)***  
to find out more about our products,  
services and all we have to offer!

This site provides a complete  
overview of our product line, and  
features technical data, videos,  
CAD drawings, catalogs and more.



1468 Armour Boulevard  
Mundelein, IL 60060

Web: [www.lyndexnikken.com](http://www.lyndexnikken.com)  
E-mail: [sales@lyndexnikken.com](mailto:sales@lyndexnikken.com)  
Phone: (847) 367-4800  
Fax: (847) 367-4815

CAT2018-TC

*Follow us on social media!*



@LyndexNikken



Lyndex-Nikken



Lyndex-Nikken



LyndexNikkenMedia



@Lyndex\_Nikken